

# **PART 3**

## **ILLUSTRATED PARTS BREAKDOWN**

**PART 3**  
**TABLE OF CONTENTS**

<i>Section</i>	<i>Page</i>	<i>Section</i>	<i>Page</i>
I INTRODUCTION .....	155	Engine intake elbow group .....	209
1-1. General .....	155	Turbocharger and mounting group .....	210
1-4. Group Assembly Parts List .....	155	Fuel injection valves and lines group .....	212
1-11. Numerical Index .....	158	Exhaust manifold group .....	213
II GROUP ASSEMBLY PARTS LISTS .....	161	Fan belts and fan drive group .....	214
Rotary compressor, model 1M750PVC		Water pump group .....	215
(sheet 1 of 2) .....	160	Timing cover and front mounting group .....	216
Rotary compressor, model 1M750PVC		Flywheel, flywheel housing, and rear mounting	
(sheet 2 of 2) .....	163	group .....	218
Battery mounting group .....	166	Oil pan group .....	219
Air cleaner assembly .....	168	Oil pump group .....	220
Damper control assembly .....	169	Engine oil filter and mounting group .....	222
Compressor oil filter group .....	170	Engine oil filler and mounting group .....	224
Thermal bypass valve group .....	172	Valve cover breather and mounting group .....	225
Thermal bypass valve assembly .....	173	Oil cooler and mounting group .....	226
Radiator and oil cooler group .....	174	Fuel filter and priming tank group .....	228
Radiator assembly .....	176	Fuel filter assembly .....	230
Air line system .....	178	Service meter and tachometer drive .....	231
Fuel line system .....	180	Fuel transfer pump .....	232
Oil separator assembly .....	182	Accessory drive group .....	234
Air pressure regulator assembly .....	184	Governor assembly and fuel injection pump	
Blowdown valve assembly .....	185	(sheet 1 of 2) .....	236
Non-return valve assembly .....	186	Governor assembly and fuel injection pump	
Speed control linkage group .....	187	(sheet 2 of 2) .....	240
Air compressor assembly and mounting		Valve cover and glow plug wiring group .....	242
group (sheet 1 of 2) .....	188	Valve mechanism and cylinder head group	
Air compressor assembly and mounting		(sheet 1 of 2) .....	243
group (sheet 2 of 2) .....	190	Valve mechanism and cylinder head group	
Instrument panel assembly (sheet 1 of 2) .....	192	(sheet 2 of 2) .....	244
Instrument panel assembly (sheet 2 of 2) .....	194	Camshaft group .....	246
Cold weather starting aid group .....	195	Connecting rod and piston assembly .....	247
Overspeed switch installation .....	196	Crankshaft group .....	248
Diesel engine assembly .....	198	Cylinder block assembly .....	250
Primary fuel filter group .....	200	Drawbar and front axle group .....	252
Fuel priming pump .....	201	Handbrake lever, cross shaft, and rear	
Starting motor assembly .....	202	axle group .....	254
Alternator and regulator mounting group .....	204	Brake assembly .....	256
Alternator assembly .....	206	Fuel tank mounting and main frame group .....	258
Engine exhaust group .....	208	III NUMERICAL INDEX .....	260

## PART 3

### ILLUSTRATED PARTS BREAKDOWN

#### SECTION I INTRODUCTION

##### 1-1. GENERAL.

1-2. This Illustrated Parts Breakdown covers the major components and detail parts of the Model 1M750PVC, Trailer Mounted, Diesel Engine Driven, 750 CFM, 100 PSI, Rotary Air Compressor manufactured by Davey Compressor Company, Kent, Ohio 44240. Part number 64945 has been assigned to the unit assembly. Refer to figure 1-1, Part 1, of this manual for an identifying view. This Part 3 is to be used with (and is referenced throughout) Part 2, Overhaul Instructions, and Part 1, Operation and Service Instructions.

1-3. Abbreviations and symbols used in the following parts lists are in accordance with Military Standard, MIL-STD-12, or are defined below.

(AP) - This abbreviation, found in Description column, indicates the part is an "attaching part" for the next higher assembly or component.

\* - This symbol, found in the Part Number column, indicates the part is a component of a kit. A footnote at the bottom of the parts list page will indicate the kit number where part may be found.

† - This symbol, found in the Part Number column, also indicates the part is a component of a kit. A footnote at the bottom of the parts list page will indicate the kit number where part may be found.

F - This abbreviation, found in the Numerical Index, Section III, is used in conjunction with a figure and index number, such as F7-6. It is assigned to the parts listed in the numerical index for those items having no index number assigned. The abbreviation means the listed item "follows" index number 6 on figure number 7.

##### 1-4. GROUP ASSEMBLY PARTS LISTS.

1-5. Section II consists of illustrations and related parts lists. Each illustration has been assigned a figure number which appears on the first line of each parts list page

applicable to that figure. This figure number is not repeated beyond the first line entry. Index numbers are assigned to each part illustrated. The index number appears in the Figure & Index No. column. Parts not illustrated, such as hidden or standard hardware type items, are listed in the Group Assembly Parts List but do not have index numbers assigned.

1-6. PART NUMBER. The Part Number column lists the true manufacturer's part number. When a vendor item part number appears in this column, a manufacturer's five digit code appears in the Description column. A listing of these codes appears in a later paragraph. Also, when the part number listed is a vendor's number, the Davey part number assigned to that item will appear in the Description column. The abbreviation COML in this column indicates a "Commercial" off-the-shelf item that should be ordered by the full description appearing in the Description column. The words NO NUMBER indicates that no part number is assigned to that line item. This entry is usually assigned to a group of related parts that is not considered as an assembly and should not be purchased as such. Repairable items for this type of entry appear either immediately below the NO NUMBER entry or on a subsequent parts list. Part numbers in this column, other than the above described conditions, are the Davey Compressor Co. assigned numbers. These entries do not reflect a five digit manufacturer's code in the Description column.

1-7. DESCRIPTION. The Description column contains the identifying noun description of a part followed by necessary adjectives and further description of the part, such as size, etc. Other entries in this column are the abbreviation (AP) to indicate an "attaching part", five digit manufacturer's code (see para 1-6), the assigned Davey part number (see para 1-6), and references to either the next higher assembly (NHA) or another figure for details.

1-8. UNITS PER ASSY. The Units Per Assembly column lists the quantity of parts used at that location. This number; therefore, is not necessarily the total number of parts used in the end item. Refer to the Numerical Index, Section III, for this total. The abbreviation REF indicates a reference item that is called out elsewhere in the Group Assembly Parts List. The abbreviation AR indicates the part is used as required.

1-9. USABLE ON CODE. Only one model of Rotary Air Compressor, Model 1M750PVC, is covered by this publication; therefore, the Usable On Code column of the Group Assembly Parts List, Section II, has been left blank. The absence of a code in this column indicates that parts shown are usable as replacements on all units covered by this publication.

1-10. MANUFACTURERS' CODES. The five digit Manufacturer's Code is used to identify the manufacturer of a vendor item used in this equipment. The code appears in parentheses in the Description column following the description of the part involved. Applicable codes are listed below. The prime contractor's code is also listed below but not used in the Description column. The absence of a manufacturer's code in the Description column indicates that the part listed is a prime manufacturer's part or a commercial off-the-shelf item. The following codes are in accordance with Federal Supply Code For Manufacturers Cataloging Handbook H4-1 and H4-2.

CODE	MANUFACTURER'S NAME AND ADDRESS	CODE	MANUFACTURER'S NAME AND ADDRESS
00736	Filter Products Div. of North American Rockwell Corp. Air-Maze Plant 25000 Miles Road Cleveland, Ohio 44128	06497	Battery Sales and Service 299 S. Martha Ave. Akron, Ohio 44306
01276	Aeroquip Corp. Industrial Division 1225 W. Main St. Van Wert, Ohio 45891	07077	American-Standard Industrial Products Div. of American-Standard 8111 Tireman Ave. Detroit, Mich. 48232
01428	Superior Ball Joint Co. Div. of Tuthill Pump Co. P. O. Box 227 1202 S. Quality Dr. New Haven, Indiana 46774	08484	Breeze Corporations Inc. 700 Liberty Ave. Union, New Jersey 07083
04845	Automatic Switch Co. 56-A Hanover Road Florham Park, New Jersey 07932	09393	Rochester Gauges Inc. of Texas P. O. Box 20180 Dallas, Texas 75220
05469	Bearings Inc. P. O. Box 6925 3634 Euclid Ave. Cleveland, Ohio 44101	11083	Caterpillar Tractor Co. 100 N. Adams Peoria, Illinois 61602
05662	Barbour Stockwell Instruments Div. of Curtis and Marble Corp. 80 Cambridge St. Worcester, Mass. 01603	14892	Bendix Corp., The Brake and Steering Div. 410 W. Bendix Drive South Bend, Ind. 46619
		15605	Cutler-Hammer Inc. 4201 N. 27th St. Milwaukee, Wis. 53216
		16004	Davey Compressor Co. 600 Franklin Ave. Kent, Ohio 44240
		16764	Delco-Remy Division of General Motors Corp. 2401 Columbus Ave. Anderson, Ind. 46011
		18265	Donaldson Co. Inc. 1400 West 94th St. Minneapolis, Minn. 55431
		19728	Prestolite Co., The Division of Eltra Corp. P. O. Box 931 511 Hamilton St. Toledo, Ohio 43601
		22938	Prototype Development Inc. 7750 Hub Parkway Cleveland, Ohio 44125

CODE	MANUFACTURER'S NAME AND ADDRESS	CODE	MANUFACTURER'S NAME AND ADDRESS
25472	Goodrich, B. F., Co. 500 South Main St. Akron, Ohio 44318	71177	Buckeye Forge Div. Gulf and Western Industrial Products Co. 9217 Miles Ave. Cleveland, Ohio 44105
25738	Graf, V. L., Co. Romeo, Mich.	71724	Crane Packing Co. 6400 Oakton St. Morton Grove, Illinois 60053
31211	Motorola Automotive Products, Inc. 9401 West Grand Blvd. Franklin Park, Illinois 60131	73331	Guide Lamp Division of General Motors Corp. 2915 Pendleton Ave. Anderson, Ind. 46011
34494	Kunkle Valve Co. 121 S. Clinton Fort Wayne, Ind. 46802	73808	General Tire and Rubber Co. 1708 Englewood Ave. Akron, Ohio 44309
43990	Norgren, C. A., Co. 5400 S. Delaware St. Littleton, Colo. 80120	74400	Hobbs Division Stewart-Warner Corp. Yale Blvd. and Ash St. Springfield, Illinois 62705
51600	Rollway Bearing Co. Inc. 7622 Morgan Rd. Syracuse, New York 13088	75272	Kickhaefer Mfg. Co. 1964 Wisconsin Ave. Grafton, Wisc. 53024
56878	Standard Pressed Steel Co. Box 608 Benson East Jenkintown, Pa. 19046	76005	Lord Manufacturing Company Division of Lord Corporation 1635 West 12th Street Erie, Pa. 16512
57733	Stewart-Warner Corp. 1826 Diversey Parkway Chicago, Illinois 60614	77060	Packard Electric Division of General Motors Corp. 408 Dana St. N. E. Warren, Ohio 44481
60038	Timken Roller Bearing Co. 1835 Dueber Ave. S. W. Canton, Ohio 44706	77308	Plastic and Rubber Products Co. 2150 Parco Ave. Ontario, Calif. 91764
61112	Turner Corp. 821 Park Ave. Sycamore, Illinois 60178	78912	Garlock Inc. Plastics Div. 602 N. 10th St. Camden, New Jersey 08101
65083	Westinghouse Electric Corp. Lamp Division MacArthur Ave. Bloomfield, N. J. 07003	79227	Watts Regulator Co. 10 Embankment St. P. O. Box 628 Lawrence, Mass. 01842
70417	Chrysler Corp. Amplex Div. P. O. Box 2718 6501 Harper Ave. Detroit, Mich. 48231	79470	Weatherhead Co., The 300 East 131st St. Cleveland, Ohio 44108
70436	Arens Controls Inc. 2017 Greenleaf St. Evanston, Illinois 60202		

CODE MANUFACTURER'S NAME AND ADDRESS

79497 Western Rubber Co.  
620 E. Douglas  
Goshen, Ind. 46526

79911 Ohio Brass Co.  
380 North Main St.  
Mansfield, Ohio 44902

80211 Motorola Inc. Chicago Center  
Government Electronics Div.  
1450 N. Cicero Ave.  
Chicago, Illinois 60651

80885 Oil-Rite Corp.  
2318 Waldo Blvd.  
Manitowoc, Wisc. 54220

86579 Precision Rubber Products Corp.  
3110 Oakridge Drive  
Dayton, Ohio 45417

87373 Parker-Hannifin Corp.  
Parker Hose and Coupling Co.  
Wickliffe, Ohio

87930 Tower Mfg. Corp.  
158 Pine St.  
Providence, R. I. 02903

CODE MANUFACTURER'S NAME AND ADDRESS

92863 Marvel Engineering Co.  
7227 North Hamlin Ave.  
Chicago, Illinois 60645

98660 Flodar Corp. Div. of  
Alco Standard Corp.  
16911 St. Clair Ave.  
Cleveland, Ohio 44110

#### 1-11. NUMERICAL INDEX.

1-12. The Numerical Index, Section III, is arranged in alphanumerical sequence by part number. When an item appears in the Group Assembly Parts List with either NO NUMBER or COML listed in the part number column, these parts are arranged in the Numerical Index by noun nomenclature. The Figure & Index Number column lists each appearance of parts throughout the entire Group Assembly Parts List. When an assembly or part has not been assigned an index number, the figure and index number of the preceding part in the Group Assembly Parts List is listed with the letter "F" before the figure number, such as F7-6, indicating that part "follows" index number 6 on figure 7. A number appearing in parentheses following the index number indicates the sheet number of a multi-sheet illustration, such as sheet 1 of 2, on which that entry appears. The Qty column lists the quantity required for that particular entry. The abbreviation REF indicates that entry is "referenced" and the quantity required is listed at another position.

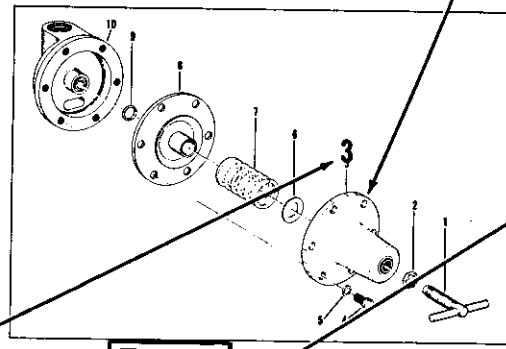
# HOW TO USE THE ILLUSTRATED PARTS BREAKDOWN

IF YOU *Don't* KNOW THE PART NUMBER ...

**PART 3**  
**TABLE OF CONTENTS**

Section	Page	Section	Page
<b>I. INTRODUCTION</b>	155	Engine intake elbow group	209
1-1. General	155	Turbocharger and mounting group	210
1-2. Group Assembly Parts List	155	Fuel injection valves and lines group	212
1-3. Numerical Index	158	Exhaust manifold group	214
<b>II. GROUP ASSEMBLY PARTS LISTS</b>	161	Fan belts and fan drive group	214
Rotary compressor, model 1M750PVE	161	Water pump group	217
Sheet 1 of 2	161	Turbo cover and float mounting group	218
Sheet 2 of 2	163	Flashed fly wheel housing and rear mounting group	218
Battery mounting group	166	Oil pan group	219
Air cleaner assembly	168	Oil pump group	220
Diaphragm control assembly	169	Engine oil filter and mounting group	222
Compressor oil filter group	170	Engine oil filter and mounting group	224
Thermal bypass valve group	172	Water cover breather and mounting group	225
Thermal bypass valve assembly	173	Oil cooler and mounting group	226
Radiator and oil cooler group	174	Fuel filter and priming tank group	228
Radiator assembly	176	Fuel filter assembly	230
Air line system	178	Service meter and tachometer drive	231
		fuel injection pump	234

**Air pressure regulator assembly .... 184**



**Figure 13.** Air pressure regulator assembly

If illustration of part is desired - refer to same Figure and Index Number on accompanying illustration.

FIG. & INDEX NO.	PART NUMBER	DESCRIPTION
13-3	C18AB	AIR LINE ASSEMBLY
4	4463	REG. RI W. Adjusting (7927)
5	236	REG. RI W. 3/8" 24 N
6	4463	HOENING Spring (7927)
7	236	SE R. W. Mech. 1/8" 24 N
8	4463	SE R. W. Mech. 1/8" 24 N
9	4463	SE R. W. Mech. 1/8" 24 N
10	4463	SE R. W. Mech. 1/8" 24 N

**184**

Turn to Figure and Index Number indicated to obtain desired information.

**SECTION III**  
**NUMERICAL INDEX**

PART NUMBER	FIGURE & INDEX NO.	QTY	PART NUMBER	FIGURE & INDEX NO.	QTY
A8502-1	16-24	1	CROSS SHAFT GR	F55-16	1
ACCESSORY DRIVE	46-2	1	CYLINDER BLOCK	F55-31	1
AC1000-12	21-23	1		53-	REF
AIR LINE SYSTEM	11-15	2			
	1-28(1)	1	<b>C18AB</b>	<b>13-3</b>	<b>1</b>
A19868-2	10-	REF			
A19869-2	3-3	1	D-39-3306(T)	1-39(1)	1
A19892-56	3-6	1		21-	REF
AIRZOD	11-2	1	ELBOW	5-3	1
BALL	17-105	1		12-29	1
BATTERY MTG GR	17-56	1		12-41	1
BREATHER	14-3	1		10-14	1
BUSHING	2-	REF		8-7	2
	21-18	REF		6-5	4
	57-8	2	EXHAUST GROUP	12-45	1
	1-56(1)	1		27-	REF
	12-3	1	E5314UMR	21-5	1
	2-3	1	FIG86-125-1-4	12-28	1
	11-4	2	FILTER ASSEMBLY	43-	REF
	10-24	1	FLYWHEEL HOUSING	35-	REF
	10-1	1	FR AXLE GROUP	21-13	1
	8-10	1		54-	REF
BYPASS VALVE GR	1-25(1)	1		1-42(1)	1
BZ739	6-	REF	FRAME	24-67	1
CAP RAD	25-2	2	FUEL LINE SYSTEM	1-38(1)	1
CD051-212	9-25	1		11-	REF
CD051-500-470	3-5	1	GANDQ-0144	1-9(1)	2
CD123-101	3-7	1	GOVERNOR GROUP	47-(2)	REF
CD123-100	3-2	1		47-(1)	REF
	3-	REF		21-24	1
	1-22(1)	2	G428989	18-14	1
CD1623500-156	3-12	1	HN24-2	18-6	1
CD1624001-240	3-8	2	HOSE CLAMP	8-13	8
CD1624001-311	3-1	1	HOSE RAD	56-37	1
CD1624001-826	3-4	1	HOUSING ASSY	1-121	1
CO-0413	16-13	1	HUB	1-23(1)	1
COMPR OIL FIL GR	5-	REF	INTAKE ELBOW GR	54-42	1
COMPRESSOR ASSY	1-24(1)	1		21-6	1
	1-33(1)	1		28-	REF
CONNECTOR	17-	REF	K1110-18	20-3	1
COUPLING	57-5	2	LM67010	55-44	1
	6-5	2	LM67010	56-37	1
CRANKSHAFT GR	8-2	1	LM67048	55-43	1
	21-29	1		54-36	1
CROSS	52-	REF	LP2290	19-11	1
	1-6(1)	1	LP2377-1	19-10	1

IF YOU *Do* KNOW THE PART NUMBER ...

*Do This*

Find the Part Number in the Numerical Parts List. Note the Figure and Index Number where the part is called out in Parts List.

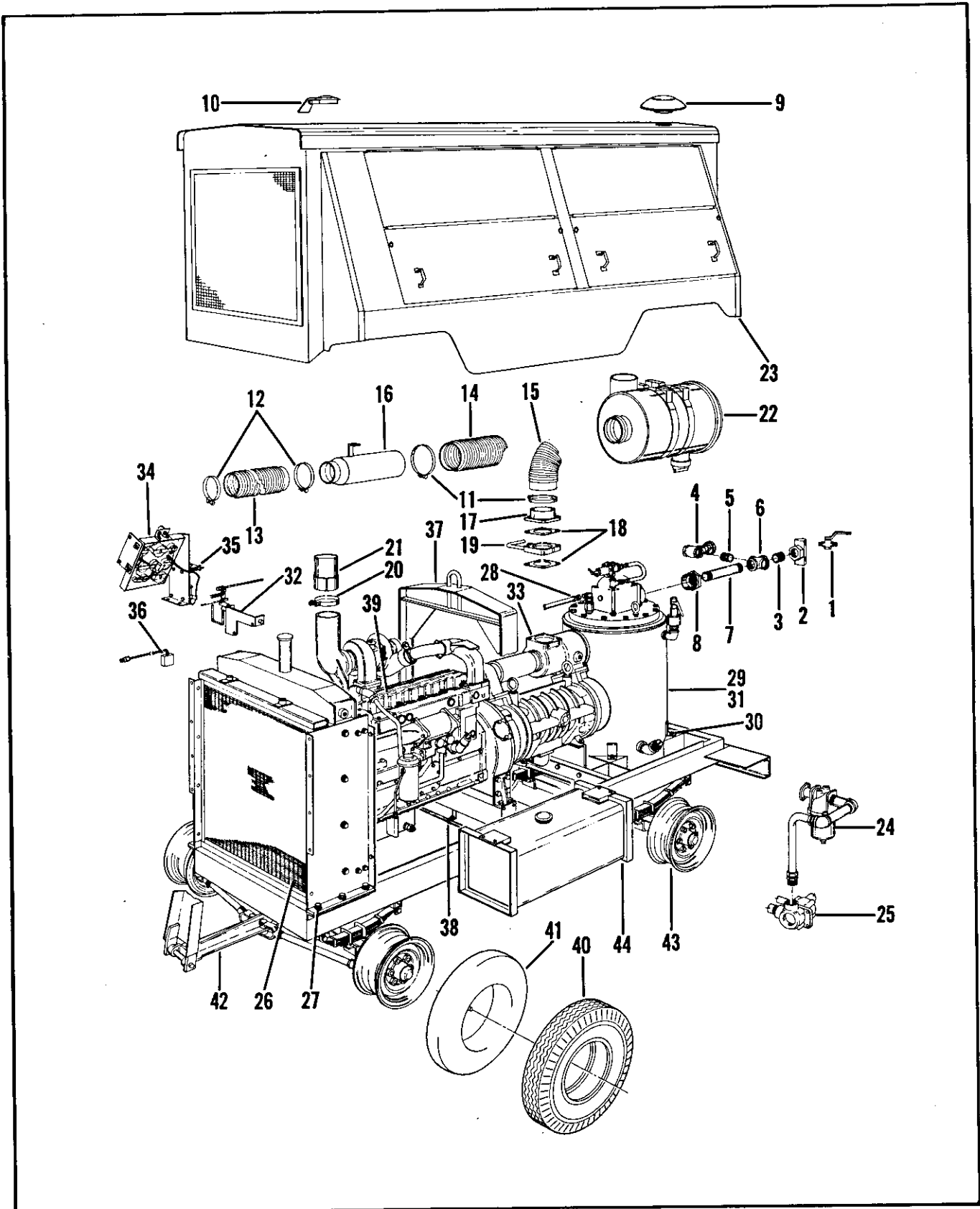


Figure 1. Rotary compressor, model IM750PVC (sheet 1 of 2)



**SECTION II  
GROUP ASSEMBLY PARTS LISTS**

FIG. & INDEX NO.	PART NUMBER	DESCRIPTION	1 2 3 4 5 6 7							UNITS PER ASSY	USABLE ON CODE
1- sh I	64945	COMPRESSOR, Rotary, power driven, 750 CFM, 100 PSI, diesel engine, ....								1	
-1	VM-79-2500	four wheel trailer mounted, model 1M750PVC									
-2	60825	VALVE, Service (87373) (Davey 63997)								4	
-3	COML	MANIFOLD, Air								1	
-4	50181	NIPPLE, Close, 1-1/2 NPT								1	
-5	COML	VALVE, Globe (79911) (Davey 43132)								2	
-6	COML	NIPPLE, Close, 1-1/2 NPT								2	
-7	COML	CROSS, Pipe, 1-1/2 NPT								1	
-8	COML	NIPPLE, Pipe, 1-1/2 NPT x 11 in. lg								1	
-9	GAHOO-0164	BUSHING, Reducing, 3 in. to 1-1/2 in. NPT								1	
-10	63546	CAP, Air cleaner (18265) (Davey 61430)								2	
-11	M96H	CAP, Rain								1	
-12	61039	CLAMP, Hose (08484) (Davey 38361)								4	
-13	63708	CLAMP, Hose								2	
-14	63707	HOSE, Air, engine intake								1	
-15	63709	HOSE, Air, engine air cleaner								1	
-16	61541	HOSE, Air, compressor intake								1	
	COML	ADAPTER, Air, engine intake								1	
	COML	NUT, Spinlock, 1/4-20NC (AP)								1	
-17	61538	SCREW, Spinlock, 1/4-20NC x 3/4 in. lg (AP)								1	
	COML	ADAPTER, Compressor intake								1	
	COML	SCREW, Cap, hex hd, 3/8-16NC x 2-1/2 in. lg (AP)								4	
-18	49195	WASHER, Lock, 3/8 in. spring type (AP)								4	
-19	63983	GASKET, Adapter								2	
-20	63550	CONTROL ASSEMBLY, Damper (see figure 4 for details)								1	
	COML	CLAMP, Exhaust extension								1	
	COML	NUT, Lock, 5/16-18NC hex (AP)								1	
-21	63545	SCREW, Cap, hex hd, 5/16-18NC x 1-3/4 in. lg (AP)								1	
-22	CD1623500	EXTENSION, Engine exhaust								1	
	COML	CLEANER, Air (00736) (Davey 62812) (see figure 3 for details)								2	
	COML	NUT, Lock, hex, 3/8-16NC (AP)								4	
	COML	SCREW, Cap, hex hd, 3/8-16NC x 3/4 in. lg (AP)								4	
-23	NO NUMBER	WASHER, Flat, 3/8 in. (AP)								4	
-24	NO NUMBER	HOUSING ASSEMBLY (See figure 1, sheet 2 for details)								1	
-25	NO NUMBER	COMPRESSOR OIL FILTER GROUP (see figure 5 for details)								1	
-26	26808	THERMAL BYPASS VALVE GROUP (see figure 6 for details)								1	
-27	COML	RADIATOR-COOLER ASSEMBLY (see figure 8 for details)								1	
	COML	NUT, Lock, hex, 1/2-13NC (AP)								6	
	COML	WASHER, Flat, 1/2 in. (AP)								12	
-28	NO NUMBER	SCREW, Cap, hex hd, 1/2-13NC x 2 in. lg (AP)								6	
-29	49564	AIR LINE SYSTEM (See figure 10 for details)								1	
-30	COML	OIL SEPARATOR ASSEMBLY (See figure 12 for details)								1	
	COML	NUT, Lock, hex, 1/2-13NC (AP)								4	
-31	49160	SCREW, Cap, hex hd, 1/2-13NC x 1-1/4 in. lg (AP)								4	
-32	NO NUMBER	ADAPTER, Discharge tube								1	
	COML	SPEED CONTROL LINKAGE GROUP (See figure 16 for details)								1	
	COML	SCREW, Cap, hex hd, 7/16-14NC x 1-1/2 in. lg (AP)								2	
-33	NO NUMBER	WASHER, Lock, split, 7/16 in. (AP)								2	
	COML	COMPRESSOR ASSEMBLY AND MOUNTING GROUP (See figure 17 for details)								1	
	COML	SCREW, Cap, hex hd, 7/16-14NC x 1-1/2 in. lg (AP)								8	
	COML	WASHER, Lock, split, 7/16 in. (AP)								8	
	COML	NUT, Lock, hex, 5/8-11NC (AP)								2	
	COML	SCREW, Cap, hex hd, 5/8-11NC x 1-1/4 in. lg (AP)								2	
	48466	WASHER, Flat, 5/8 in. (AP)								2	
	48465	BUSHING, Coupling, drive								8	
	49599	PIN, Coupling, drive								8	
-34	64947	STRAP, Locking, coupling pin								4	
	COML	INSTRUMENT PANEL ASSEMBLY (See figure 18 for details)								1	
	COML	NUT, Lock, hex, 3/8-16NC (AP)								2	
		SCREW, Cap, hex hd, 3/8-16NC x 3/4 in. lg (AP)								2	

FIG. & INDEX NO.	PART NUMBER	DESCRIPTION	UNITS	USABLE ON CODE
			PER ASSY	
		1 2 3 4 5 6 7		
1-sh 1	COML	. NUT, Lock, hex, 5/16-18NC (AP) .....	2	
	COML	. SCREW, Cap, hex hd, 5/16-18NC x 3/4 in. lg (AP) .....	2	
-35	46246	. COLD WEATHER STARTING AID (See figure 19 for details) .....	1	
-36	NO NUMBER	. OVERSPEED SWITCH INSTALLATION (See figure 20 for details) .....	1	
-37	63710	. FRAME, Lifting .....	1	
	COML	. NUT, Lock, hex, 1/2-13NC (AP) .....	8	
	COML	. SCREW, Cap, hex hd, 1/2-13NC x 1-1/2 in. lg (AP) .....	8	
-38	NO NUMBER	. FUEL LINE SYSTEM (See figure 11 for details) .....	1	
-39	DV39-3306(T)	. ENGINE ASSEMBLY (11083) (Davey 65128) (see figure 21 for details) ..	1	
	COML	. NUT, Lock, hex, 5/8-11NC (AP) .....	2	
	COML	. WASHER, Bevel, 5/8 in. (AP) .....	2	
	COML	. SCREW, Cap, hex hd, 5/8-11NC x 2 in. lg (AP) .....	2	
	COML	. SCREW, Cap, hex hd, 5/8-11NC x 1-1/2 in. lg (AP) .....	8	
	COML	. WASHER, Lock, split, 5/8 in. (AP) .....	8	
-40	0102571	. TIRE, Highway type, Jet Commercial 7:50-16, 10 ply (73808) (Davey .... 63044, includes tube) .....	4	
-41	0394513	. TUBE, 7:50-16 (73808) (Davey 63044, includes tire) .....	4	
-42	NO NUMBER	. DRAWBAR AND FRONT AXLE GROUP (See figure 54 for details) .....	1	
-43	NO NUMBER	. HANDBRAKE LEVER, CROSS SHAFT, AND REAR AXLE GROUP .... (See figure 55 for details) .....	1	
-44	NO NUMBER	. FUEL TANK MOUNTING AND MAIN FRAME GROUP (See figure .... 57 for details) .....	1	

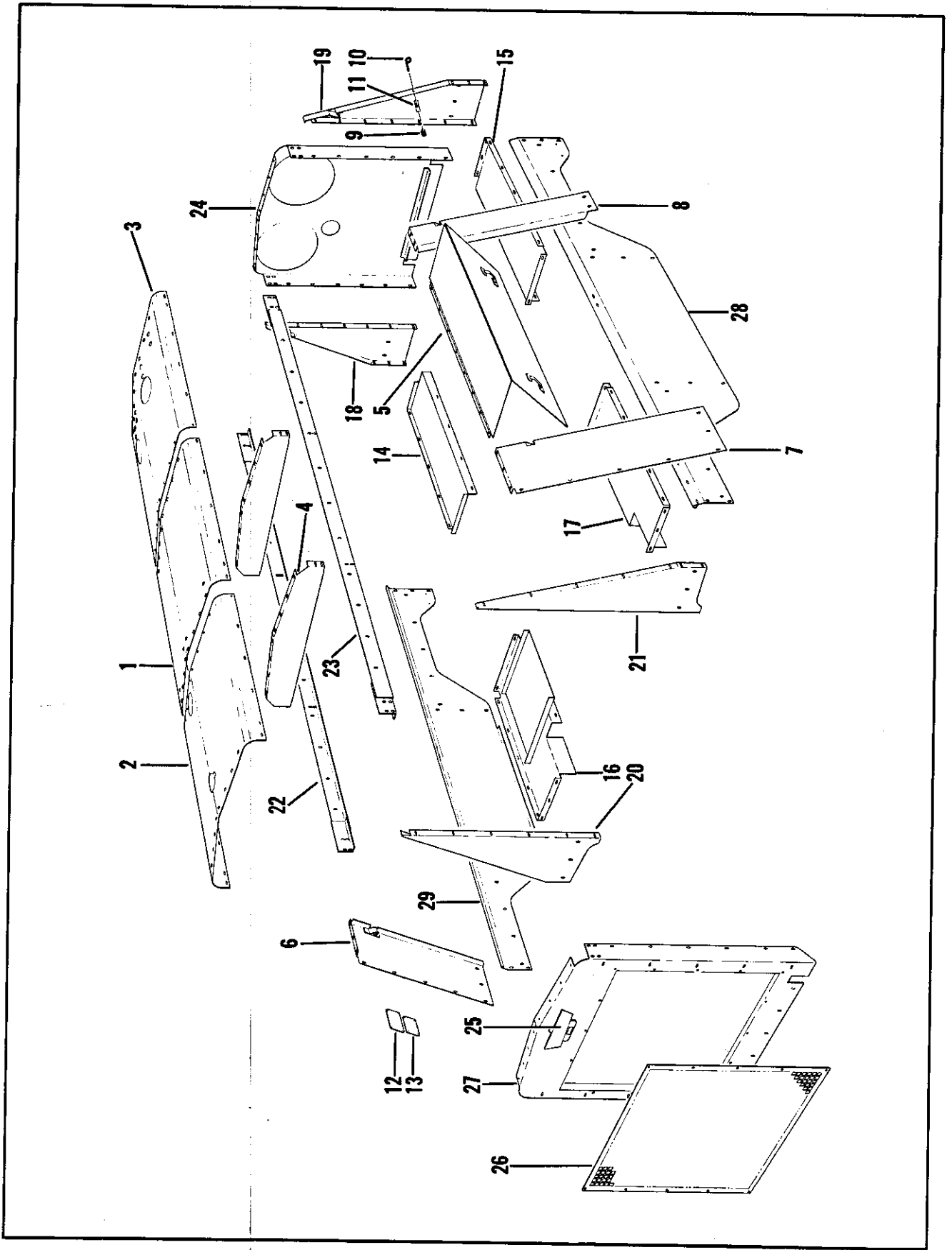


Figure 1. Rotary compressor, model IM750PVC (sheet 2 of 2)

FIG. & INDEX NO.	PART NUMBER	DESCRIPTION	UNITS	USABLE
			PER ASSY	ON CODE
		1 2 3 4 5 6 7		
1-sh2	NO NUMBER	. HOUSING ASSEMBLY (See figure 1, sheet 1, index 23 for NHA).....	1	
-1	62835	. . ROOF, Middle section .....	1	
	COML	. . NUT, Spinlock, 1/4-20NC (AP) .....	31	
	COML	. . SCREW, Spinlock, 1/4-20NC x 3/4 in. lg (AP) .....	31	
-2	62836	. . ROOF, Drive end section .....	1	
	COML	. . NUT, Spinlock, 1/4-20NC (AP).....	8	
	COML	. . SCREW, Spinlock, 1/4-20NC x 3/4 in. lg (AP) .....	16	
-3	62834	. . ROOF, Non drive end section .....	1	
	COML	. . NUT, Spinlock, 1/4-20NC (AP) .....	8	
	COML	. . SCREW, Spinlock, 1/4-20NC x 3/4 in. lg (AP) .....	16	
-4	49186	. . BULKHEAD, Roof .....	2	
	COML	. . NUT, Spinlock, 1/4-20NC (AP) .....	2	
	COML	. . SCREW, Spinlock, 1/4-20NC x 3/4 in. lg (AP) .....	2	
-5	49192	. . DOOR, Side .....	4	
	COML	. . NUT, Spinlock, 1/4-20NC (AP) .....	32	
	COML	. . SCREW, Spinlock, 1/4-20NC x 3/4 in. lg (AP) .....	32	
-6	49177	. . SUPPORT, Door .....	1	
-7	49178	. . SUPPORT, Door .....	1	
	COML	. . NUT, Spinlock, 1/4-20NC (AP) .....	10	
	COML	. . SCREW, Spinlock, 1/4-20NC x 3/4 in. lg (AP) .....	10	
-8	62842	. . SUPPORT, Door, center .....	2	
	COML	. . NUT, Spinlock, 1/4-20NC (AP) .....	8	
	COML	. . SCREW, Spinlock, 1/4-20NC x 3/4 in. lg (AP) .....	8	
-9	27329	. . SPRING, Latch, door .....	8	
-10	27327	. . EYE, Latch, door .....	8	
-11	27328	. . BRACKET, Latch, door .....	8	
-12	NO NUMBER	. . PLATE, Ident, U. S. Dept of the Navy (GFE) (Davey 65448).....	1	
-13	64986	. . PLATE, Transportation .....	1	
	COML	. . SCREW, Self tapping, no. 4 x 1/4 in. lg (AP) .....	8	
-14	49181	. . TRAY, Housing .....	1	
	COML	. . NUT, Spinlock, 1/4-20NC (AP) .....	15	
	COML	. . SCREW, Spinlock, 1/4-20NC x 3/4 in. lg (AP) .....	15	
-15	49182	. . TRAY, Housing .....	1	
	COML	. . NUT, Spinlock, 1/4-20NC (AP) .....	15	
	COML	. . SCREW, Spinlock, 1/4-20NC x 3/4 in. lg (AP) .....	15	
-16	49179	. . TRAY, Battery (see figure 2 for battery mounting details) .....	1	
-17	49180	. . TRAY, Housing .....	1	
	COML	. . NUT, Spinlock, 1/4-20NC (AP).....	28	
	COML	. . SCREW, Spinlock, 1/4-20NC x 3/4 in. lg (AP) .....	28	
-18	49172	. . PANEL, End, rear .....	1	
-19	49173	. . PANEL, End, rear .....	1	
	COML	. . NUT, Spinlock, 1/4-20NC (AP) .....	26	
	COML	. . SCREW, Spinlock, 1/4-20NC x 3/4 in. lg (AP) .....	24	
	COML	. . SCREW, Flat hd, 1/4-20NC x 3/4 in. lg (AP) .....	2	
-20	49175	. . PANEL, End, front .....	1	
-21	49176	. . PANEL, End, front .....	1	
	COML	. . NUT, Spinlock, 1/4-20NC (AP) .....	13	
	COML	. . SCREW, Spinlock, 1/4-20NC x 3/4 in. lg (AP) .....	13	
-22	62837	. . RAIL, Side .....	1	
-23	62838	. . RAIL, Side .....	1	
	COML	. . NUT, Spinlock, 1/4-20NC (AP) .....	8	
	COML	. . SCREW, Spinlock, 1/4-20NC x 3/4 in. lg (AP) .....	8	
-24	62816	. . SUPPORT, Hood, rear .....	1	
-25	48717	. . PLATE, Ident .....	2	
	48751	. . NUT, Speed .....	6	
	49274	. . WASHER .....	3	
	63329	. . DECAL, Insert, 750 .....	2	
-26	49168	. . GRILLE, Radiator .....	1	
	COML	. . SCREW, Spinlock, 1/4-20NC x 3/4 in. lg (AP) .....	16	
-27	62809	. . SUPPORT, Front hood .....	1	

FIG. & INDEX NO.	PART NUMBER	DESCRIPTION							UNITS PER ASSY	USABLE ON CODE
		1	2	3	4	5	6	7		
1-sh2	COML	.	.	NUT, Spinlock, 1/4-20NC (AP) .....					5	
	COML	.	.	SCREW, Spinlock, 1/4-20NC x 3/4 in. lg (AP) .....					15	
-28	49184	.	.	PANEL, Side .....					1	
-29	49185	.	.	PANEL, Side .....					1	
	COML	.	.	NUT, Spinlock, 1/4-20NC (AP) .....					12	
	COML	.	.	SCREW, Spinlock, 1/4-20NC x 3/4 in. lg (AP) .....					12	

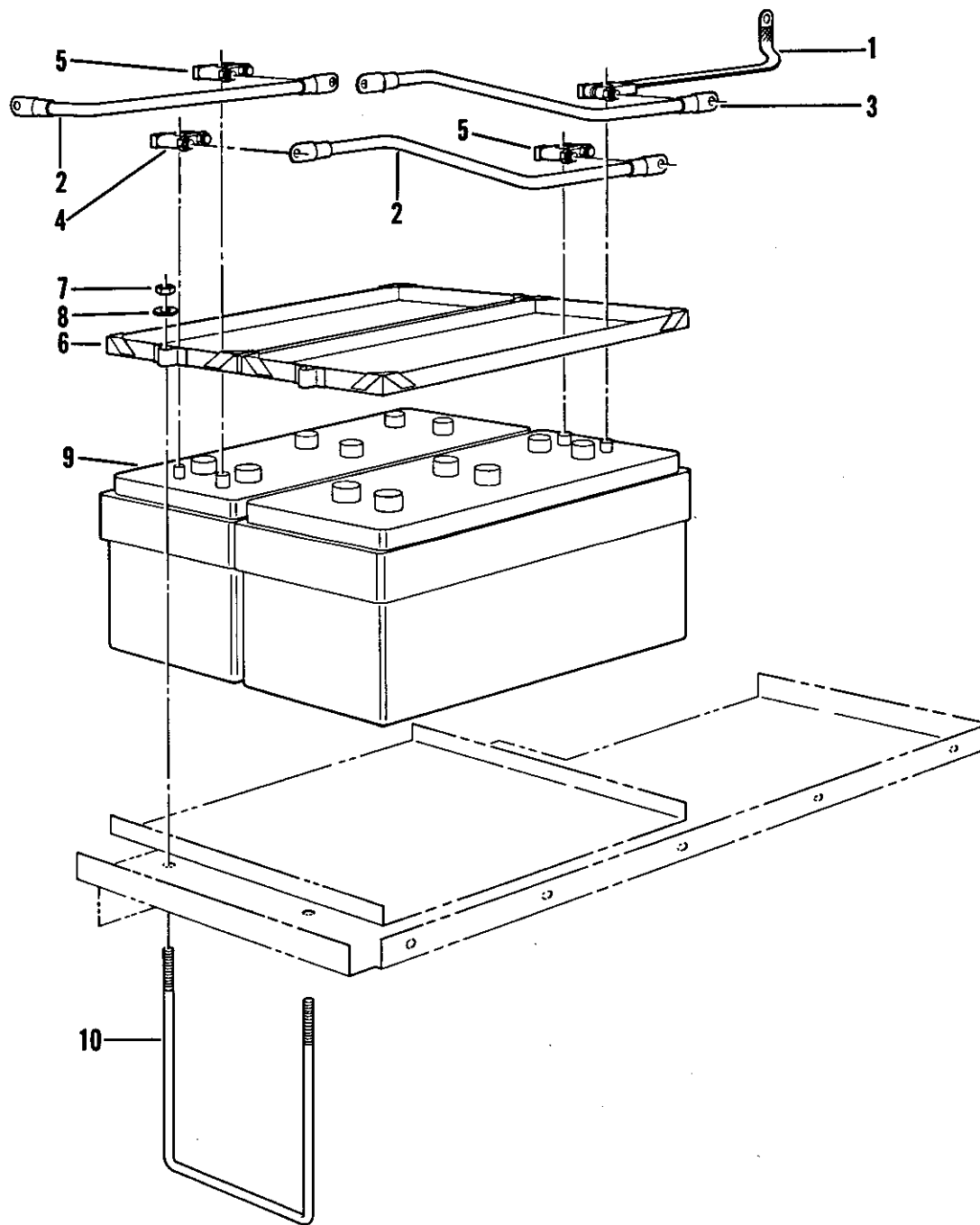


Figure 2. Battery mounting group

FIG. & INDEX NO.	PART NUMBER	DESCRIPTION							UNITS PER ASSY	USABLE ON CODE
		1	2	3	4	5	6	7		
2-	NO NUMBER	BATTERY MOUNTING GROUP, Battery cables, and batteries (see..... figure 1, sheet 2, index 16 for NHA)							REF	
-1	5E19	. CABLE, Ground (77060) (Davey 11028) .....							1	
-2	49791	. CABLE ASSEMBLY .....							2	
-3	49799	. CABLE ASSEMBLY .....							1	
-4	5292850	. TERMINAL, Battery, negative (77060) (Davey 24638) .....							1	
-5	5292849	. TERMINAL, Battery, positive (77060) (Davey 24668) .....							2	
-6	19	. HOLDDOWN, Battery (06497) (Davey 24668).....							2	
-7	COML	. NUT, Hex, 3/8-16NC (AP) .....							4	
-8	COML	. WASHER, Flat, 3/8 in. (AP) .....							4	
-9	4D-A9Y	. BATTERY, 12V (19728) (Davey 24669) .....							2	
-10	27442	. "U" BOLT, Battery holddown .....							2	

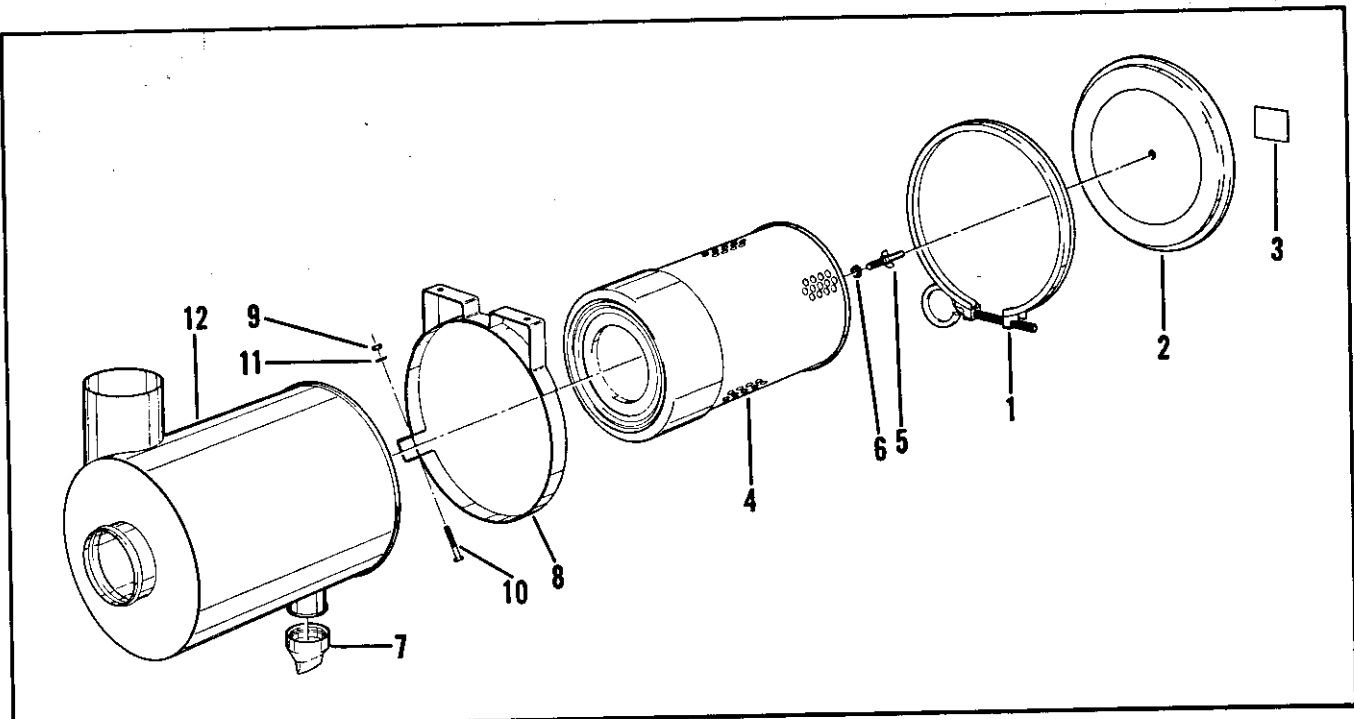


Figure 3. Air cleaner assembly

FIG. & INDEX NO.	PART NUMBER	DESCRIPTION	UNITS PER ASSY	USABLE ON CODE		
			1	2	3	4
3-	CD1623500	CLEANER ASSEMBLY, Air (00736) (Davey 62812) (see figure 1-22 for .... NHA)	REF			
-1	CD1626001-311	. CLAMP ASSEMBLY, Cover (00736) .....	1			
-2	CD1623-101	. COVER (00736) .....	1			
-3	A19868-2	. DECAL (00736) .....	1			
-4	CD1626001-826	. ELEMENT, Filter (00736) (Davey 62813) .....	1			
-5	CD0511-212	. BOLT, Wing (AP) (00736) .....	1			
-6	A19892-56	. WASHER, Seal (AP) (00736) .....	1			
-7	CD0511500-170	. VALVE, Unloader (00736) .....	1			
-8	CD1626001-240	. BRACKET ASSEMBLY, Mounting (00736) (Davey 62814) .....	2			
-9	COML	. . NUT, Hex, 3/8-16NC .....	1			
-10	COML	. . SCREW, Cap, hex hd, 3/8-16NC x 2-1/4 in. lg .....	1			
-11	COML	. . WASHER, Lock, split, 3/8 in. ....	1			
-12	CD1623500-156	. BODY, Filter (00736) .....	1			



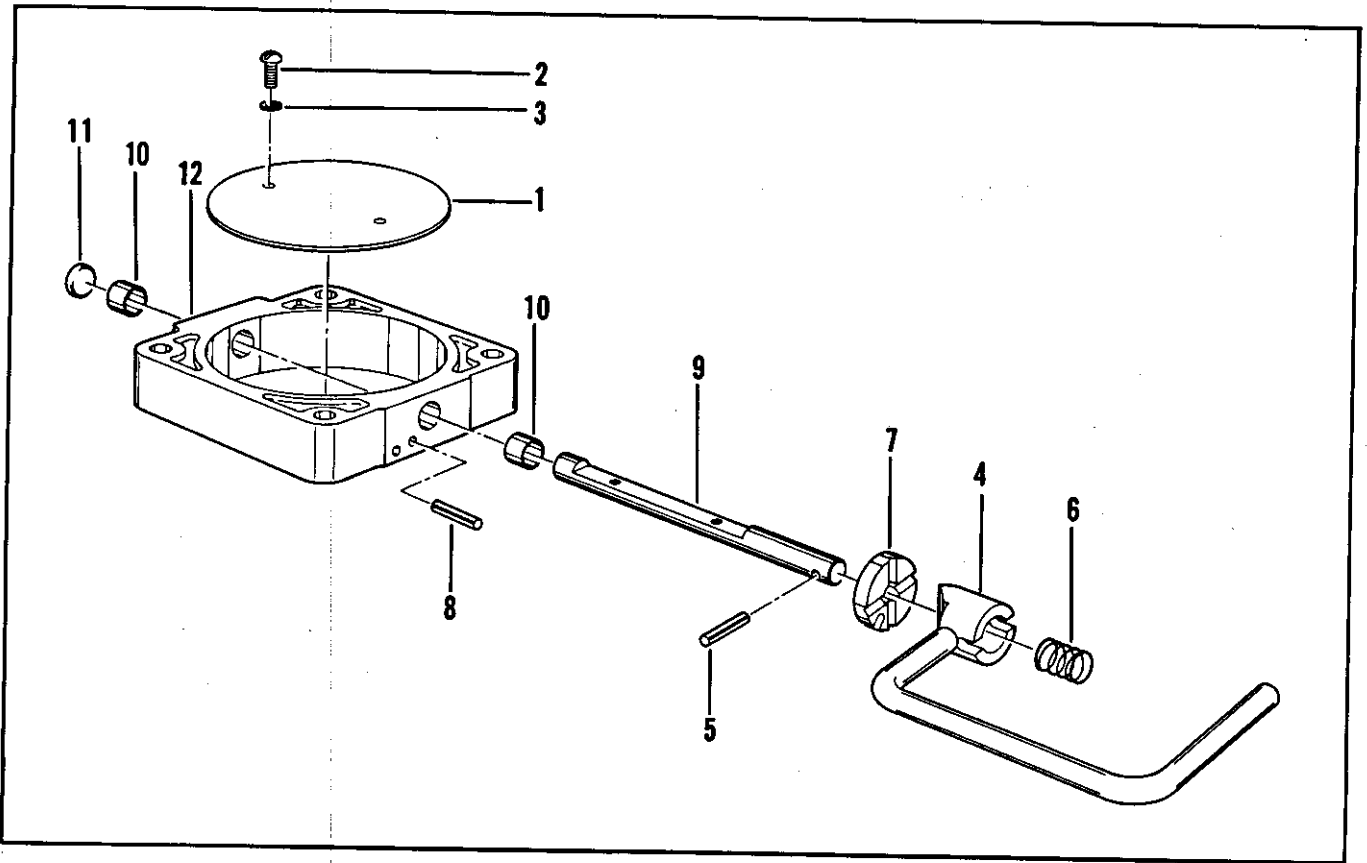


Figure 4. Damper control assembly

FIG. & INDEX NO.	PART NUMBER	DESCRIPTION	UNITS PER ASSY							USABLE ON CODE	
			1	2	3	4	5	6	7		
4-	63983	CONTROL ASSEMBLY, Damper (see figure 1-19 for NHA) .....								REF	
-1	62805	. PLATE, Damper .....								1	
-2	COML	. SCREW, Machine, rd hd, no. 10-24NC x 1/2 in. lg (AP) .....								2	
-3	COML	. WASHER, Lock, split, no. 10 (AP) .....								2	
-4	64736	. HANDLE ASSEMBLY .....								1	
-5	21-S-187-1250	. PIN, Spring (AP) (56878) (Davey 30788) .....								1	
-6	63744	. SPRING .....								1	
-7	63628	. PLATE, Detent .....								1	
-8	21-S-187-1250	. PIN, Spring (56878) (Davey 30788) .....								1	
-9	63742	. SHAFT .....								1	
-10	08DU08	. BUSHING (78912) (Davey 40858) .....								2	
-11	PC-0625	. PLUG, Expansion (75272) (Davey 63739) .....								1	
-12	63740	. BODY .....								1	

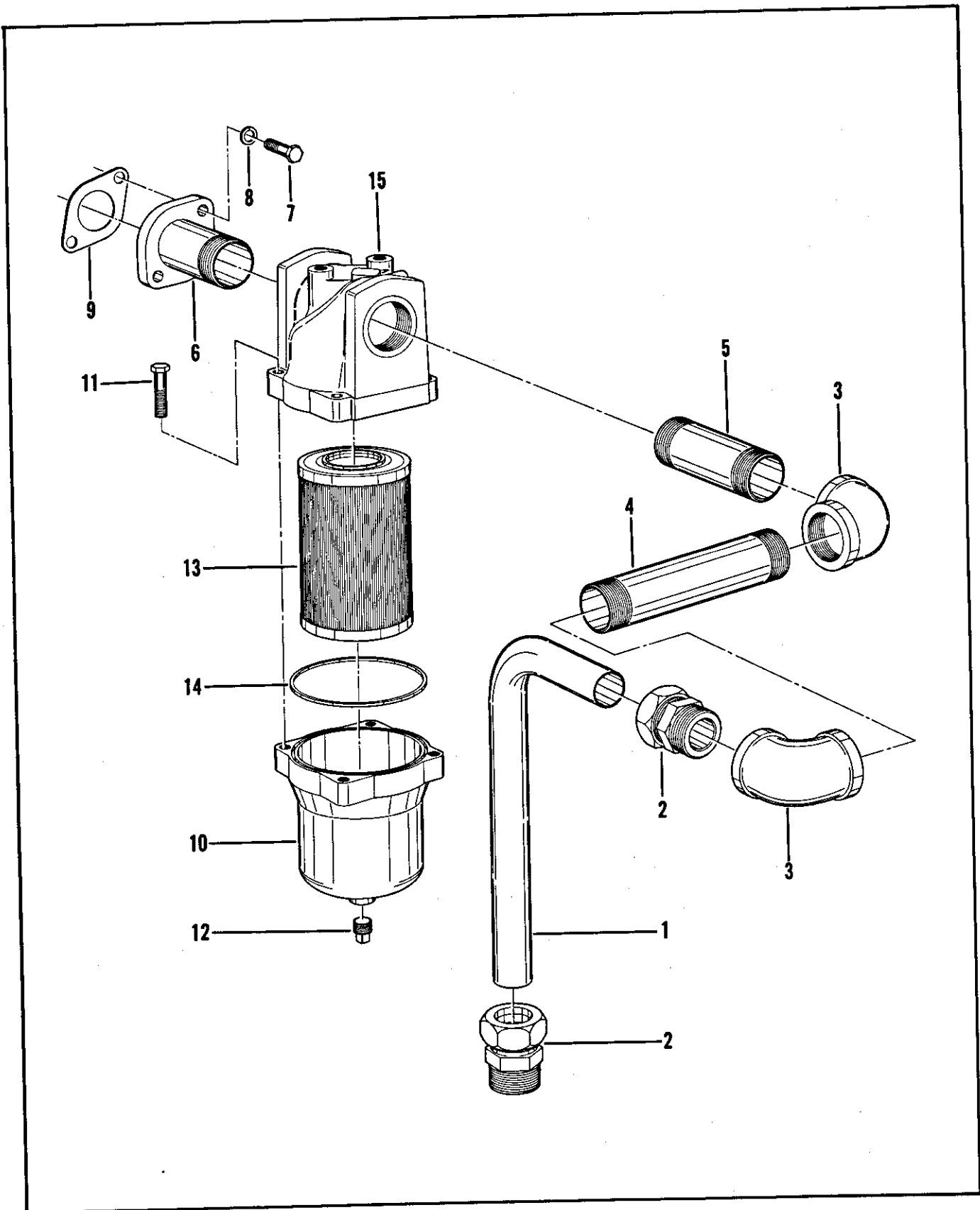


Figure 5. Compressor oil filter group

FIG. & INDEX NO.	PART NUMBER	DESCRIPTION 1 2 3 4 5 6 7	UNITS	USABLE
			PER ASSY	ON CODE
5-	NO NUMBER	FILTER GROUP, Compressor oil (See figure 1-24 for NHA) .....	REF	
-1	49555	. TUBE, Oil, bypass valve to oil filter .....	1	
-2	7205X24	. CONNECTOR, Tube (79470) (Davey 44395) .....	2	
-3	COML	. ELBOW, Pipe, 1-1/2 NPT, 90° .....	2	
-4	COML	. NIPPLE, Pipe, 1-1/2 NPT x 10 in. lg .....	1	
-5	COML	. NIPPLE, Pipe, 1-1/2 NPT x 7 in. lg .....	1	
-6	61546	. ADAPTER, Oil filter mounting .....	1	
-7	COML	. SCREW, Cap, hex hd, 3/8-16NC x 1-1/2 in. lg (AP) .....	2	
-8	COML	. WASHER, Lock, split, 3/8 in. (AP) .....	2	
-9	11044	. GASKET, Mounting adapter .....	1	
	255241-1500-	. FILTER ASSEMBLY, Oil (92863) (Davey 61446) .....	1	
	576366-1110			
-10	255241-1500	. . HOUSING, Oil filter (92863) .....	1	
-11	COML	. . SCREW, Cap, hex hd, 3/8-16NC x 2 in. lg (AP) .....	4	
		(Marvel 255000-8)		
-12	COML	. . PLUG, Pipe, sq hd, 3/8 NPT (Marvel 25000-4) .....	1	
-13	576366-1110	. . ELEMENT, Filter (92863) (Davey 61150) .....	1	
-14	25000-3	. . SEAL, Housing (92863) (Davey 62877) .....	1	
-15	255241-1500-2	. . HEAD ASSEMBLY, Oil filter (92863) (Davey 64524) .....	1	

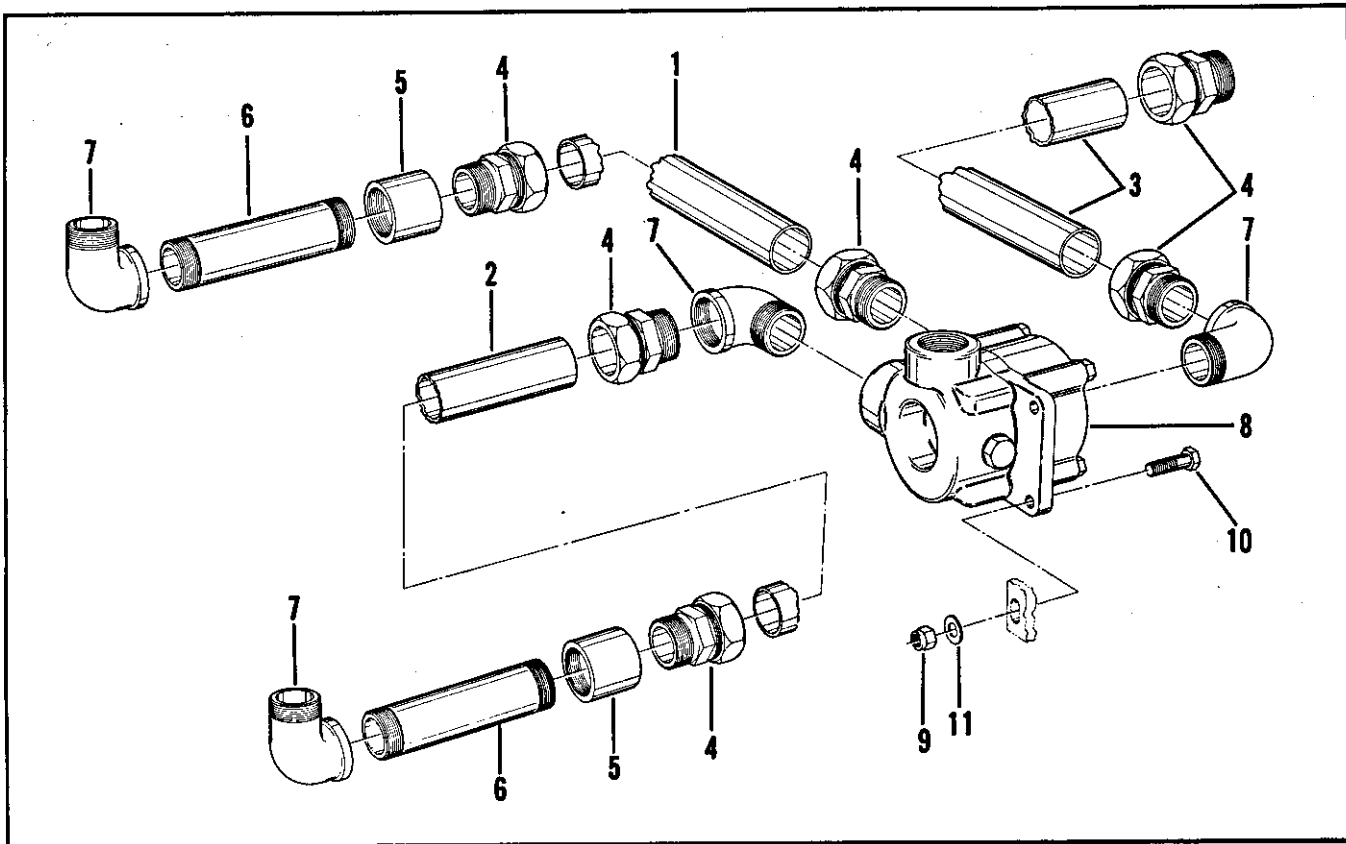


Figure 6. Thermal bypass valve group

FIG. & INDEX NO.	PART NUMBER	DESCRIPTION	UNITS PER ASSY							USABLE ON CODE	
			1	2	3	4	5	6	7		
6-	NO NUMBER	THERMAL BYPASS VALVE GROUP (See figure 1-25 for NHA) .....								REF	
-1	62811	. TUBE, Oil cooler to bypass valve .....								1	
-2	62810	. TUBE, Bypass valve to cooler .....								1	
-3	49553	. TUBE, Bypass valve to oil separator.....								1	
-4	7205X24	. CONNECTOR, Tube (79470) (Davey 44395) .....								6	
-5	COML	. COUPLING, Pipe, 1-1/2 NPT .....								2	
-6	COML	. NIPPLE, Pipe, 1-1/2 NPT x 8 in. lg .....								2	
-7	COML	. ELBOW, Street, 1-1/2 NPT, 90° .....								4	
-8	62450	. VALVE ASSEMBLY, Thermal bypass (for details see figure 7) .....								1	
-9	COML	. NUT, Lock, hex, 1/2-13NC (AP) .....								2	
-10	COML	. SCREW, Cap, hex hd, 1/2-13NC x 1-1/4 in. lg (AP) .....								2	
-11	COML	. WASHER, Plain, flat, 1/2 in. (AP) .....								2	

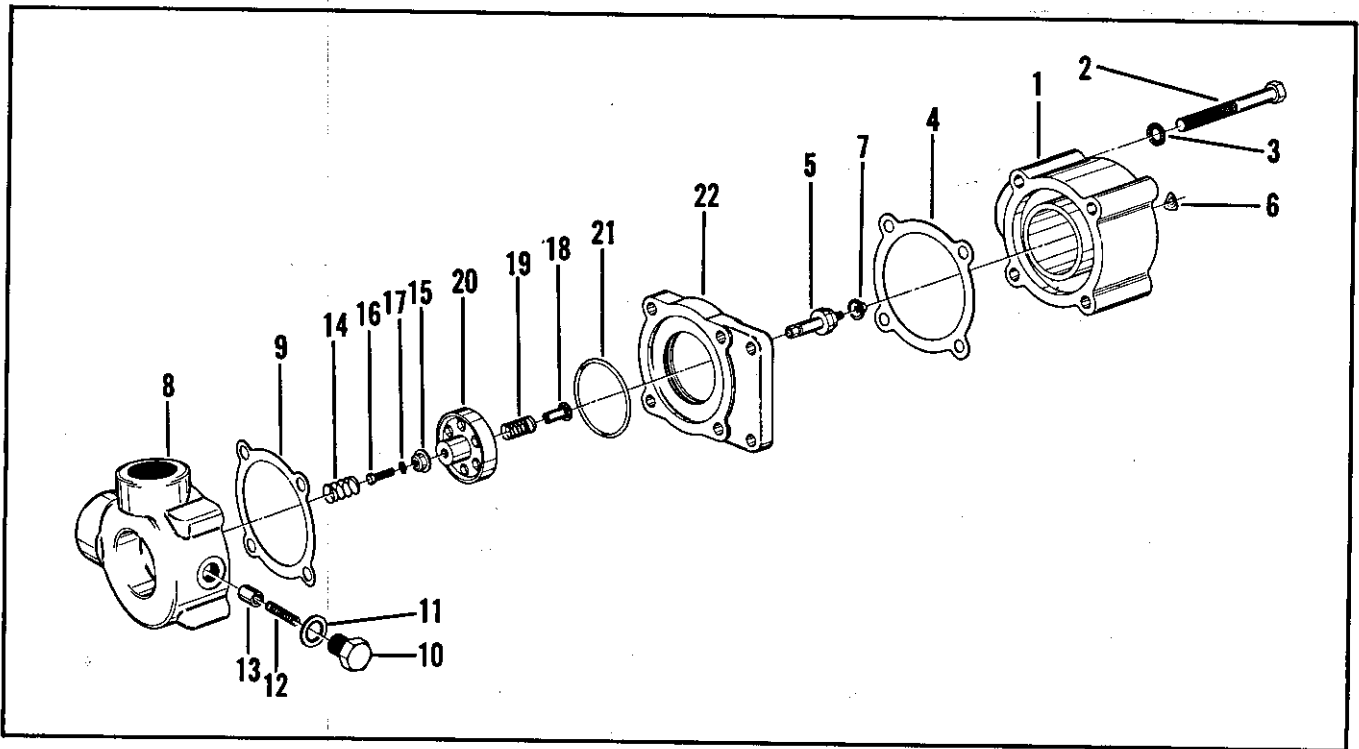


Figure 7. Thermal bypass valve assembly

FIG. & INDEX NO.	PART NUMBER	DESCRIPTION							UNITS PER ASSY	USABLE ON CODE
		1	2	3	4	5	6	7		
7-	62450	VALVE ASSEMBLY, Thermal bypass (see figure 6-8 for NHA) .....							REF	
-1	48792	COVER, Inlet .....							1	
-2	COML	SCREW, Cap, hex hd, 1/2-13NC x 4-1/2 in. lg (AP) .....							4	
-3	COML	WASHER, Lock, internal tooth, 1/2 in. (AP) (Davey 28145) .....							4	
-4	48795	GASKET, Cover .....							1	
-5	40434	ELEMENT ASSEMBLY, Power .....							1	
-6	COML	NUT, Spring plate, 1/4-28NF (AP) (Davey 49275) .....							1	
-7	61211	BUSHING, Element .....							1	
-8	62445	COVER, Outlet .....							1	
-9	48795	GASKET, Cover .....							1	
-10	62442	BODY, Relief valve .....							1	
-11	110-3-4	WASHER, Sealing (86579) (Davey 26826) .....							1	
-12	62444	SPRING, Relief valve .....							1	
-13	62443	SEAT, Relief valve .....							1	
-14	40679	SPRING .....							1	
-15	46174	GUIDE, Spring .....							1	
-16	COML	SCREW, Cap, hex hd, 1/4-20NC x 1 in. lg (AP) .....							1	
-17	COML	WASHER, Lock, internal tooth, 1/4 in. (AP) (Davey 28149) .....							1	
-18	46175	PLUNGER .....							1	
-19	40678	SPRING .....							1	
-20	48796	SHUTTLE .....							1	
-21	PRP568-234-975-75	PACKING, Preformed, o-ring (77308) (Davey 40696) .....							1	
-22	48794	BODY, Valve .....							1	

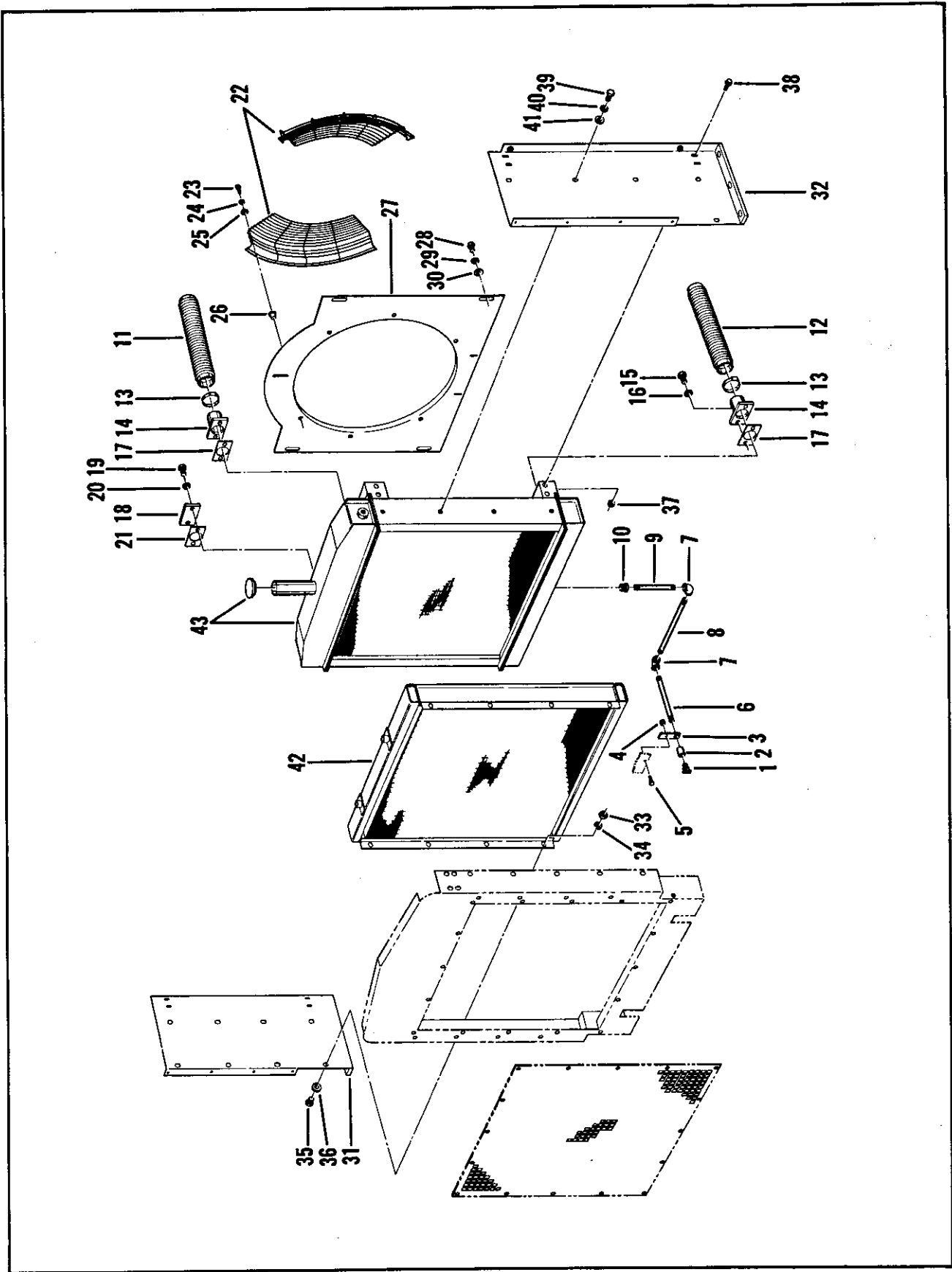


Figure 8. Radiator and oil cooler group

FIG. & INDEX NO.	PART NUMBER	DESCRIPTION	UNITS	USABLE ON CODE
			PER ASSY	
		1 2 3 4 5 6 7		
8-	NO NUMBER	RADIATOR AND OIL COOLER MOUNTING GROUP .....	REF	
		(see figure 1-26 for NHA)		
-1	COML	. COCK, Drain, 3/8 NPT (Davey 14028) .....	1	
-2	COML	. COUPLING, Pipe, 3/8 NPT .....	1	
-3	60430	. BRACKET, Mounting, drain .....	1	
-4	COML	. NUT, Lock, 1/4-20NC (AP) .....	1	
-5	COML	. SCREW, Cap, hex hd, 1/4-20NC x 1-1/4 in. lg (AP) .....	1	
-6	COML	. NIPPLE, Pipe, 3/8 NPT x 10 in. lg .....	1	
-7	COML	. ELBOW, Pipe, 3/8 NPT, 90° .....	2	
-8	COML	. NIPPLE, Pipe, 3/8 NPT x 10 in. lg .....	1	
-9	COML	. NIPPLE, Pipe, 3/8 NPT x 8 in. lg .....	1	
-10	COML	. BUSHING, Reducing, 1/2 NPT to 3/8 NPT .....	1	
-11	65126	. HOSE, Radiator, upper, 2-1/2 in. ID, 2-15/16 OD, 27 in. lg .....	1	
-12	62008	. HOSE, Radiator, lower, 2-1/2 in. ID, 2-15/16 OD, 22 in. lg .....	1	
-13	COML	. CLAMP, Hose (AP) (for 2-15/16 OD hose) .....	8	
-14	61606	. FLANGE, Radiator hose .....	2	
-15	COML	. SCREW, Cap, hex hd, 7/16-14NC x 1 in. lg (AP).....	2	
-16	COML	. WASHER, Lock, split, 7/16 in. (AP) .....	2	
-17	27460	. GASKET, Radiator flange .....	2	
-18	27926	. PLATE, Blank .....	2	
-19	COML	. SCREW, Cap, hex hd, 7/16-14NC x 1 in. lg (AP) .....	2	
-20	COML	. WASHER, Lock, split, 7/16 in. (AP) .....	2	
-21	27460	. GASKET, Plate .....	2	
-22	61569	. GUARD, Fan .....	2	
-23	COML	. SCREW, Cap, hex hd, 1/4-20NC x 1 in. lg (AP) .....	3	
-24	COML	. WASHER, Lock, split, 1/4 in. (AP) .....	3	
-25	COML	. WASHER, Flat, 1/4 in. (AP) .....	3	
-26	S25-200	. RIVNUT (AP) (25472) (Davey 61728) .....	3	
	62808	. RADIATOR-COOLER ASSEMBLY .....	1	
-27	48790	. SHROUD, Fan .....	1	
-28	COML	. SCREW, Cap, hex hd, 3/8-16NC x 3/4 in. lg (AP) .....	4	
-29	COML	. WASHER, Lock, split, 3/8 in. (AP) .....	4	
-30	COML	. WASHER, Flat, 3/8 in. (AP) .....	4	
-31	62807	. SIDE ASSEMBLY, Right hand .....	1	
-32	62806	. SIDE ASSEMBLY, Left hand .....	1	
-33	COML	. NUT, Plain hex, 3/8-16NC (AP) .....	4	
-34	COML	. WASHER, Lock, split, 3/8 in. (AP) .....	4	
-35	COML	. SCREW, Cap, hex hd, 3/8-16NC x 3/4 in. lg (AP) .....	4	
-36	COML	. WASHER, Flat, 3/8 in. (AP) .....	4	
-37	COML	. NUT, Lock, serrated washer, 1/4-20NC (AP) .....	4	
-38	COML	. SCREW, Mach., serrated washer hd, 1/4-20NC x 3/4 in. lg, .....	4	
		zinc plated (AP)		
-39	COML	. SCREW, Cap, hex hd, 3/8-16NC x 3/4 in. lg (AP) .....	4	
-40	COML	. WASHER, Lock, split, 3/8 in. (AP) .....	4	
-41	COML	. WASHER, Flat, 3/8 in. (AP) .....	4	
-42	48786	. COOLER, Oil .....	1	
-43	61426	. RADIATOR ASSEMBLY (See figure 9 for details) .....	1	

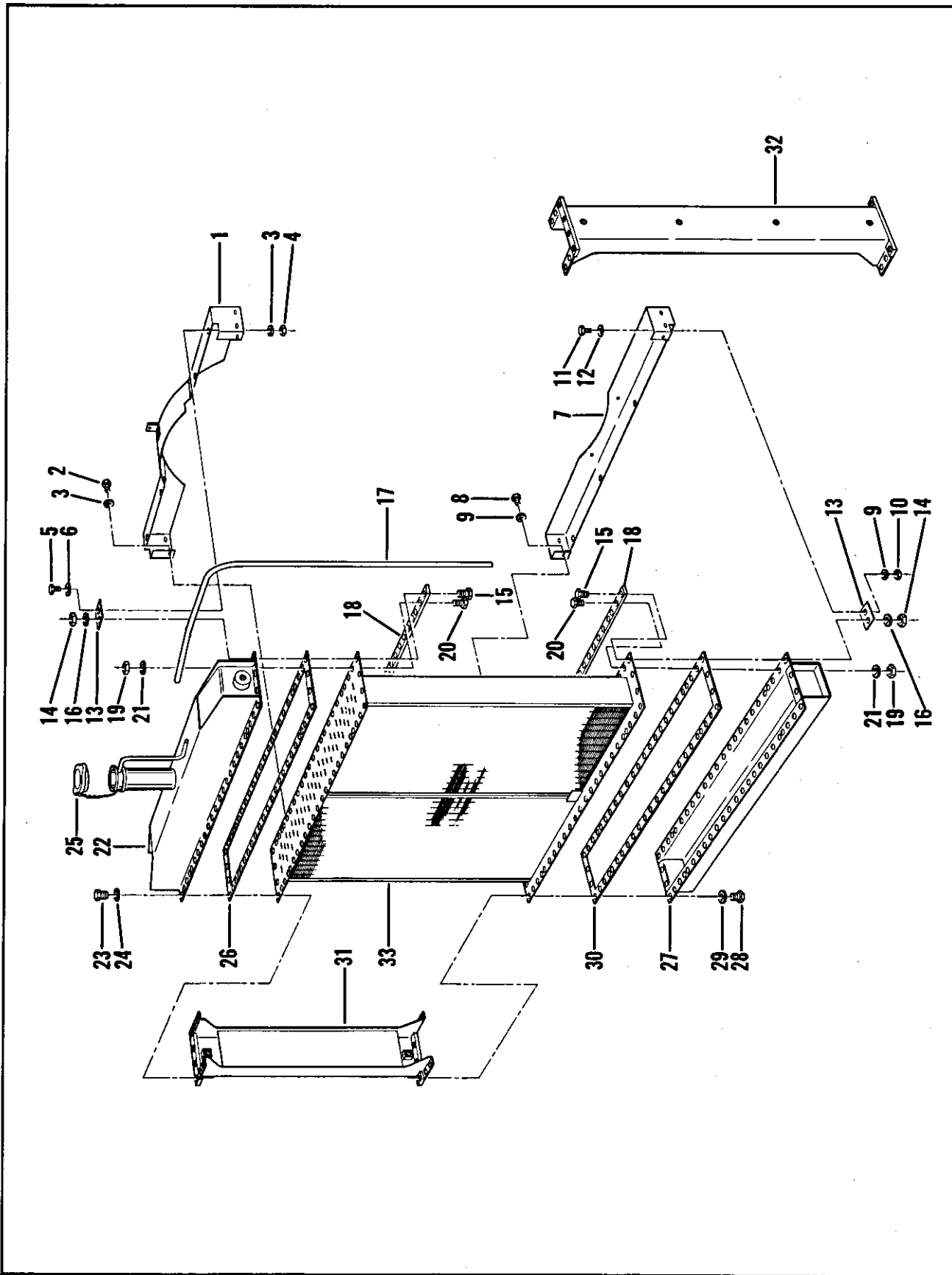


Figure 9. Radiator assembly



FIG. & INDEX NO.	PART NUMBER	DESCRIPTION	UNITS	USABLE ON CODE
			PER ASSY	
		1 2 3 4 5 6 7		
9-	61426	RADIATOR ASSEMBLY (See figure 8-43 for NHA) .....	REF	
-1	62723	. SHROUD ASSEMBLY, Top .....	1	
-2	COML	. SCREW, Cap, hex hd, 1/4-20NC x 3/8 in. lg (AP) .....	2	
-3	COML	. WASHER, Lock, split, 1/4 in. (AP) .....	4	
-4	COML	. NUT, Plain, hex, 1/4-20NC (AP) .....	2	
-5	COML	. SCREW, Cap, hex hd, 1/4-20NC x 5/8 in. lg (AP) .....	2	
-6	COML	. WASHER, Flat, 1/4 in. (AP) .....	2	
-7	62724	. SHROUD ASSEMBLY, Bottom .....	1	
-8	COML	. SCREW, Cap, hex hd, 1/4-20NC x 3/8 in. lg (AP) .....	2	
-9	COML	. WASHER, Lock, split, 1/4 in. (AP) .....	4	
-10	COML	. NUT, Plain, hex, 1/4-20NC (AP) .....	2	
-11	COML	. SCREW, Cap, hex hd, 1/4-20NC x 5/8 in. lg (AP) .....	2	
-12	COML	. WASHER, Flat, 1/4 in. (AP) .....	2	
-13	62725	. PLATE, Mounting, shroud .....	4	
-14	COML	. NUT, Plain, hex, 3/8-16NC (AP) .....	1	
-15	COML	. SCREW, Cap, hex hd, 3/8-16NC x 1-1/8 in. lg (AP) .....	1	
-16	COML	. WASHER, Lock, split, 3/8 in. (AP) .....	1	
-17	COML	. HOSE, Radiator overflow, low pressure, 1/4 in. ID, 1/2 OD, 60 in. lg .... (Davey 62717)	1	
-18	62722	. BAR, Header .....	4	
-19	COML	. NUT, Plain hex, 3/8-16NC (AP) .....	21	
-20	COML	. SCREW, Cap, hex hd, 3/8-16NC x 1 in. lg (AP) .....	21	
-21	COML	. WASHER, Lock, split, 3/8 in. (AP) .....	21	
-22	62718	. TANK ASSEMBLY, Top .....	1	
-23	COML	. SCREW, Cap, hex hd, 3/8-16NC x 7/8 in. lg (AP) .....	8	
-24	COML	. WASHER, Lock, split, 3/8 in. (AP) .....	8	
-25	COML	. CAP, Radiator, 7 lb pressure (Davey 62716) .....	1	
-26	62719	. GASKET, Header .....	1	
-27	62726	. TANK ASSEMBLY, Bottom .....	1	
-28	COML	. SCREW, Cap, hex hd, 3/8-16NC x 7/8 in. lg (AP) .....	8	
-29	COML	. WASHER, Lock, split, 3/8 in. (AP) .....	8	
-30	62719	. GASKET, Header .....	1	
-31	62721	. SIDE ASSEMBLY, Right hand .....	1	
-32	62720	. SIDE ASSEMBLY, Left hand .....	1	
-33	62714	. CORE ASSEMBLY, Radiator .....	1	

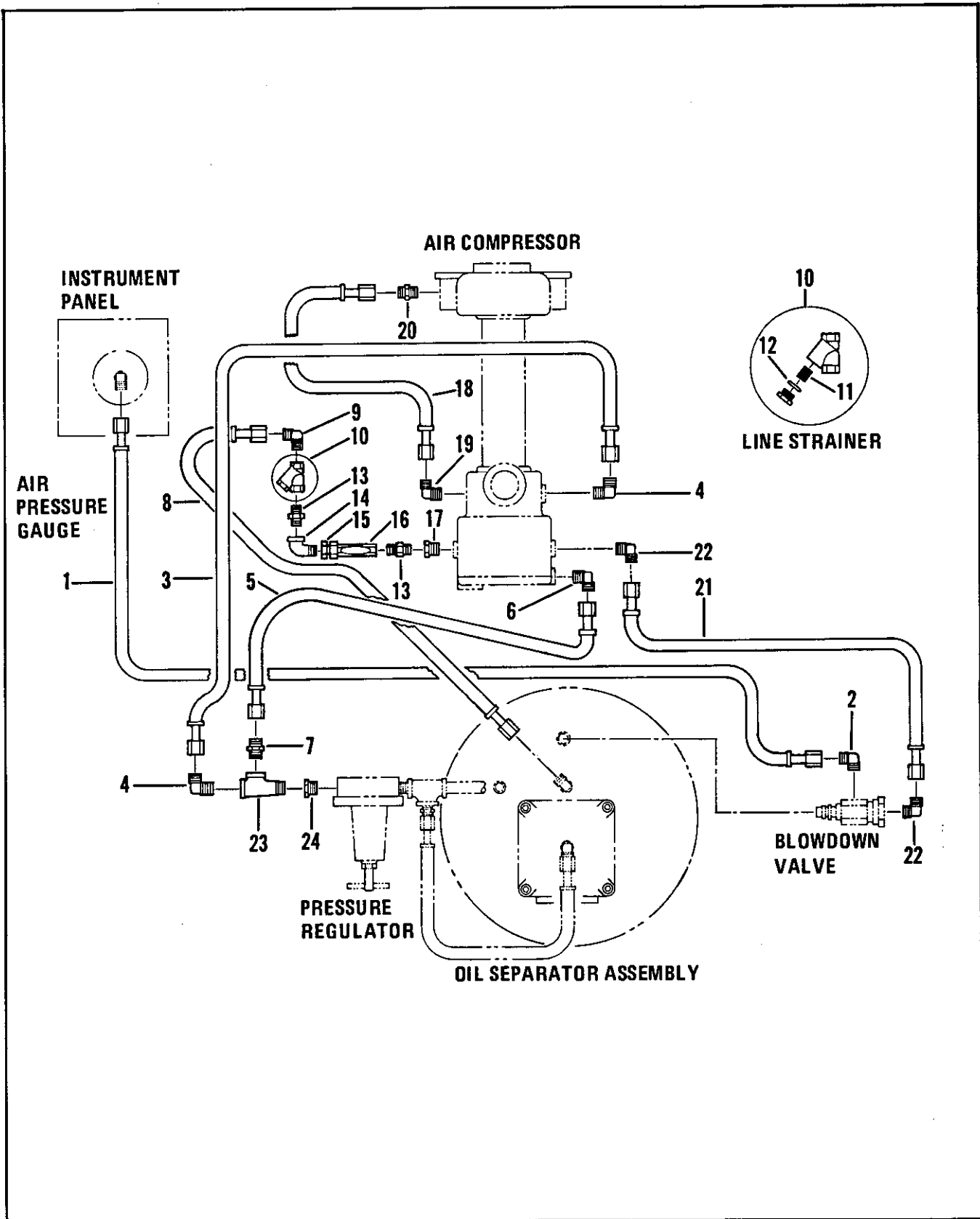


Figure 10. Air line system

FIG. & INDEX NO.	PART NUMBER	DESCRIPTION	UNITS PER ASSY	USABLE ON CODE
10-	NO NUMBER	AIR LINE SYSTEM (See figure 1-28 for NHA) .....	REF	
-1	61097	. HOSE ASSEMBLY, Blowdown valve to air pressure gauge .....	1	
	61X6	. . NUT, Tubing, 3/8 in. tube (79470) (Davey 28886).....	2	
	60X6	. . SLEEVE, Compression, 3/8 in. tube (79470) (Davey 28881).....	2	
	4750-6B	. . ADAPTER, Hose, 3/8 in. ID hose (79470) (Davey 61065) .....	2	
	2575-6	. . HOSE, 3/8 in. ID, 5/8 in. OD, 44 in. lg (01276) (Davey 61064, bulk)..	1	
	69X6BO	. ELBOW, 1/4 NPT to 3/8 in. tube (79470) (Davey 28890) .....	1	
-2	61092	. HOSE ASSEMBLY, Pressure regulator to compressor intake .....	1	
-3	61X6	. . NUT, Tubing, 3/8 in. tube (79470) (Davey 28886) .....	2	
	60X6	. . SLEEVE, Compression, 3/8 in. tube (79470) (Davey 28881) .....	2	
	4750-6B	. . ADAPTER, Hose, 3/8 in. ID hose (79470) (Davey 61065) .....	2	
	2575-6	. . HOSE, 3/8 in. ID, 5/8 in. OD, 34 in. lg (01276) (Davey 61064, bulk)..	1	
	69X6BO	. ELBOW, 1/4 NPT to 3/8 in. tube (79470) (Davey 28890) .....	2	
-4	61088	. HOSE ASSEMBLY, Pressure regulator to intake control .....	1	
-5	61X6	. . NUT, Tubing, 3/8 in. tube (79470) (Davey 28886) .....	2	
	60X6	. . SLEEVE, Compression, 3/8 in. tube (79470) (Davey 28881).....	2	
	4750-6B	. . ADAPTER, Hose, 3/8 in. ID hose (79470) (Davey 61065) .....	2	
	2575-6	. . HOSE, 3/8 in. ID, 5/8 in. OD, 28 in. lg (01276) (Davey 61064, bulk)..	1	
	69X6BO	. ELBOW, 1/4 NPT to 3/8 in. tube (79470) (Davey 28890) .....	1	
-6	68X6BO	. CONNECTOR, Tubing, 1/4 NPT to 3/8 in. tube (79470) (Davey 28888)..	1	
-7	61082	. HOSE ASSEMBLY, Separator to intake control .....	1	
-8	61X6	. . NUT, Tubing, 3/8 in. tube (79470) (Davey 28886) .....	2	
	60X6	. . SLEEVE, Compression, 3/8 in. tube (79470) (Davey 28881) .....	2	
	4750-6B	. . ADAPTER, Hose, 3/8 in. ID hose (79470) (Davey 61065) .....	2	
	2575-6	. . HOSE, 3/8 in. ID, 5/8 in. OD, 22 in. lg (01276) (Davey 61064, bulk)..	1	
	69X6BO	. ELBOW, 1/4 NPT to 3/8 in. tube (79470) (Davey 28890) .....	1	
-9	8600A2-1-4	. STRAINER, Line (04845) (Davey 47690) .....	1	
-10	24X110MONEL	. . ELEMENT, Screen (04845) .....	1	
-11	PRP56801697575	. . PACKING, Preformed, o-ring (77308) (Davey 24963) .....	1	
-12	3325X4	. NIPPLE, Hex, 1/4 NPT (79470) (Davey 41545) .....	2	
-13	COML	. ELBOW, Street, 1/4 NPT, 90° .....	1	
-14	49777	. ADAPTER, Restricted .....	1	
-15	1821	. GAUGE, Flow sight, style SF, Type A-734 (80885) (Davey 62234).....	1	
-16	COML	. BUSHING, Reducing, 1/2 NPT to 1/4 NPT .....	1	
-17	61083	. HOSE ASSEMBLY .....	1	
-18	61X6	. . NUT, Tubing, 3/8 in. tube (79470) (Davey 28886) .....	2	
	60X6	. . SLEEVE, Compression, 3/8 in. tube (79470) (Davey 28881) .....	2	
	4750-6B	. . ADAPTER, Hose, 3/8 in. ID hose (79470) (Davey 61065) .....	2	
	2575-6	. . HOSE, 3/8 in. ID, 5/8 in. OD, 23 in. lg (01276) (Davey 61064, bulk)..	1	
	69X6BO	. ELBOW, 1/4 NPT to 3/8 in. tube (79470) (Davey 28890) .....	1	
-19	68X6BO	. CONNECTOR, Tubing, 1/4 NPT to 3/8 in. tube (79470) (Davey 28888) .	1	
-20	61081	. HOSE ASSEMBLY, Intake control to blowdown valve .....	1	
-21	61X6	. . NUT, Tubing, 3/8 in. tube (79470) (Davey 28886) .....	2	
	60X6	. . SLEEVE, Compression, 3/8 in. tube (79470) (Davey 28881) .....	2	
	4750-6B	. . ADAPTER, Hose, 3/8 in. ID hose (79470) (Davey 61065) .....	2	
	2575-6	. . HOSE, 3/8 in. ID, 5/8 in. OD, 22 in. lg (01276) (Davey 61064, bulk)..	1	
	69X6BO	. ELBOW, 1/4 NPT to 3/8 in. tube (79470) (Davey 28890) .....	2	
-22	COML	. TEE, Street, 1/4 NPT (Davey 41024) .....	1	
-23	COML	. BUSHING, Reducing, 1/2 NPT to 1/4 NPT .....	1	
-24	COML	. BUSHING, Reducing, 1/2 NPT to 1/4 NPT .....	1	

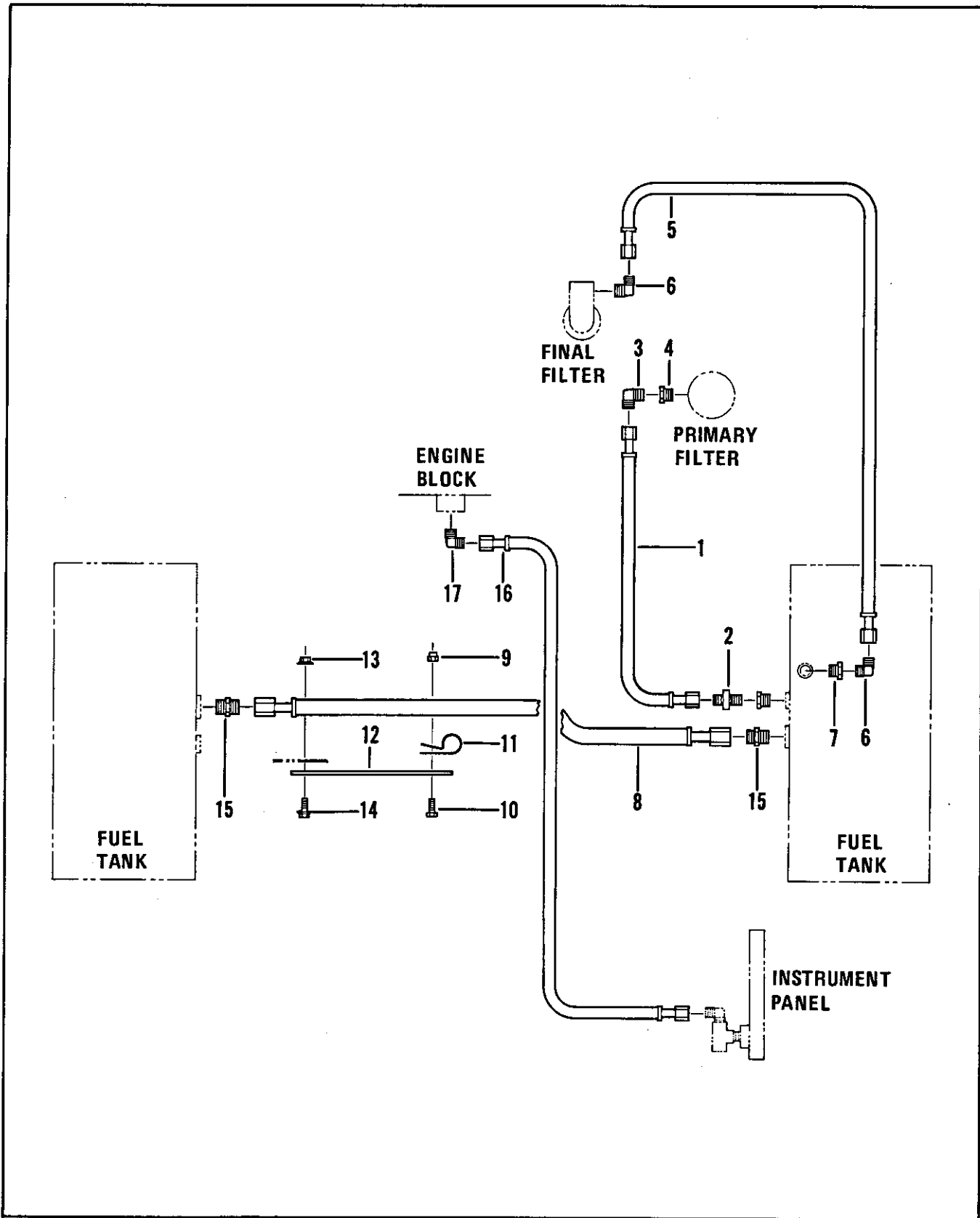


Figure 11. Fuel line system

FIG. & INDEX NO.	PART NUMBER	DESCRIPTION	UNITS PER ASSY	USABLE ON CODE
11-	NO NUMBER	FUEL LINE SYSTEM (See figure 1-38 for NHA) .....	REF	
-1	62084	. HOSE ASSEMBLY, Fuel tank to primary fuel filter .....	1	
	61X6	. . NUT, Tubing, 3/8 in. tube (79470) (Davey 28886) .....	2	
	60X6	. . SLEEVE, Compression, 3/8 in. tube (79470) (Davey 28881) .....	2	
	4750-6B	. . ADAPTER, Hose, 3/8 in. ID hose (79470) (Davey 61065) .....	2	
	2575-6	. . HOSE, 3/8 in. ID, 5/8 in. OD, 66 in. lg (01276) (Davey 61064, bulk)..	1	
-2	A6760	. DRAIN COCK (79470) (Davey 42233) .....	1	
-3	69X6BO	. ELBOW, 1/4 NPT to 3/8 in. tube (79470) (Davey 28890) .....	1	
-4	COML	. BUSHING, Reducing, 3/8 NPT to 1/4 NPT .....	2	
-5	61094	. HOSE ASSEMBLY, Fuel return to tank .....	1	
	61X6	. . NUT, Tubing, 3/8 in. tube (79470) (Davey 28886) .....	2	
	60X6	. . SLEEVE, Compression, 3/8 in. tube (79470) (Davey 28881) .....	2	
	4750-6B	. . ADAPTER, Hose, 3/8 in. ID hose (79470) (Davey 61065) .....	2	
	2575-6	. . HOSE, 3/8 in. ID, 5/8 in. OD, 38 in. lg (01276) (Davey 61064, bulk)..	1	
-6	69X6BO	. ELBOW, 1/4 NPT to 3/8 in. tube (79470) (Davey 28890) .....	2	
-7	COML	. BUSHING, Reducing, 3/8 NPT to 1/4 NPT .....	1	
-8	60657	. HOSE ASSEMBLY, Fuel tank interconnecting .....	1	
	4741-12B	. . SWIVEL, Hose, no. 12 (01276) (Davey 60598) .....	2	
	2556-12	. . HOSE, 3/4 in. ID, 1-1/32 in. OD, 37 in. lg (01276) (Davey 60595, .... bulk)	1	
-9	COML	. NUT, Lock, hex, 3/8-16NC (AP) .....	1	
-10	COML	. SCREW, Cap, hex hd, 3/8-16NC x 1 in. lg (AP) .....	1	
-11	900729-8	. CLIP, Hose (AP) (01276) (Davey 23684) .....	1	
-12	49786	. BRACKET, Hose clip .....	1	
-13	COML	. NUT, Spinlock, 1/4-20NC (AP) .....	2	
-14	COML	. SCREW, Spinlock, 1/4-20NC x 3/4 in. lg (AP) .....	2	
-15	AC1000-12	. ADAPTER, Hose (98660) (Davey 23671) .....	2	
-16	45815	. HOSE ASSEMBLY, Engine oil pressure .....	1	
	61X5	. . NUT, Tubing, 5/16 in. tube (79470) (Davey 41959) .....	2	
	60X5	. . SLEEVE, Compression, 5/16 in. tube (79470) (Davey 41958) .....	2	
	1004BX05	. . ADAPTER, Hose, 1/4 in. ID hose (Davey 47212) .....	2	
	2575	. . HOSE, 1/4 in. ID, 1/2 in. OD, 47 in. lg (01276) (Davey 47213, bulk)..	1	
-17	69X5ABO	. ELBOW, Tubing, 1/4 NPT to 5/16 in. tube (79470) (Davey 44209) ....	1	

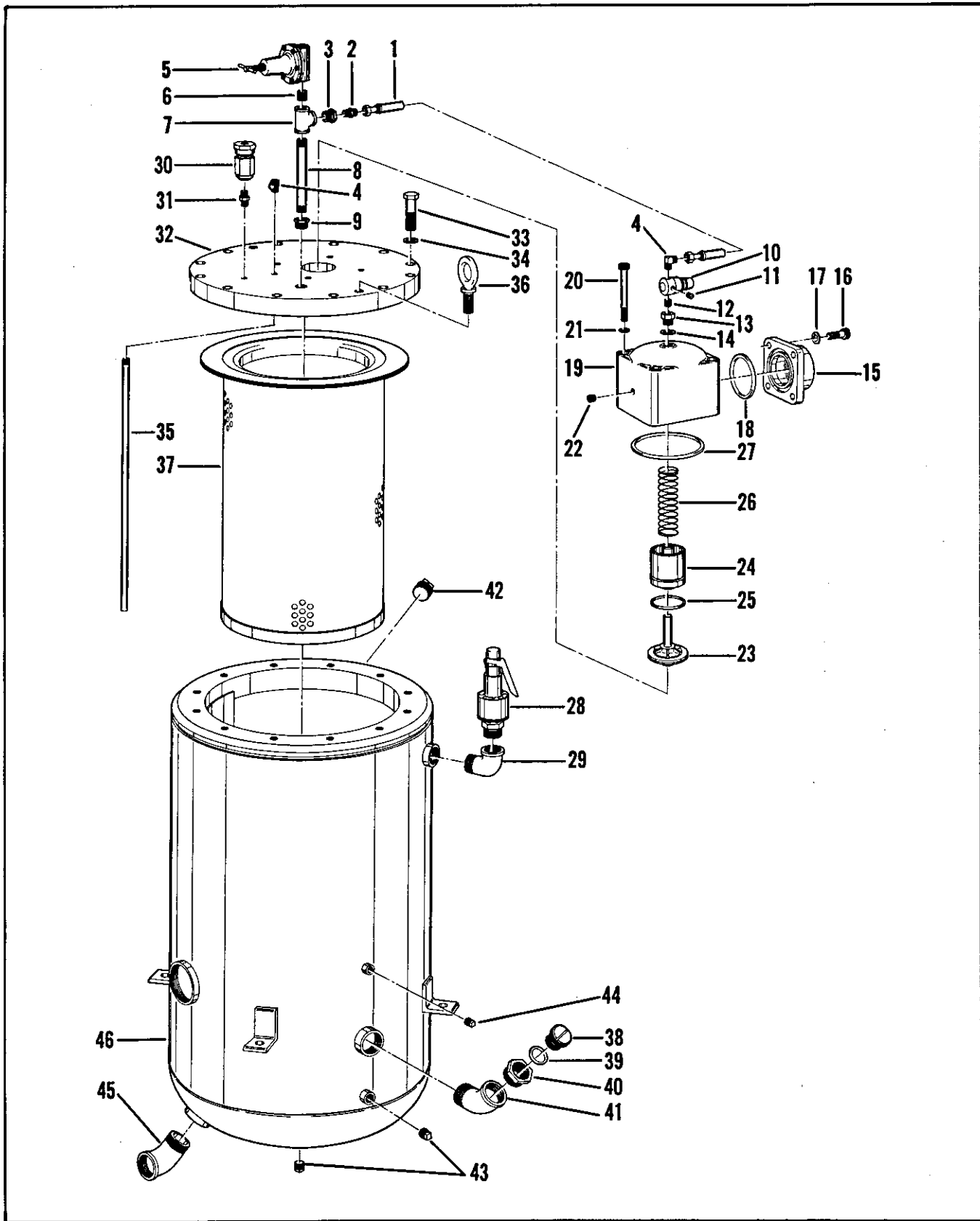


Figure 12. Oil separator assembly

FIG. & INDEX NO.	PART NUMBER	DESCRIPTION	1 2 3 4 5 6 7							UNITS PER ASSY	USABLE ON CODE
12-	49564	OIL SEPARATOR ASSEMBLY (See figure 1-29 for NHA) .....								REF	
-1	61072	. HOSE ASSEMBLY, Pipe tee to regulator .....								1	
	61X6	. . NUT, Tubing, 3/8 in. tube (79470) (Davey 28886) .....								2	
	60X6	. . SLEEVE, Compression, 3/8 in. tube (79470) (Davey 28881) .....								2	
	4750-6B	. . ADAPTER, Hose, 3/8 in. ID hose (Davey 61065) .....								2	
	2575-6	. . HOSE, 3/8 in. ID, 5/8 in. OD, 12 in. lg (01276) (Davey 61064, bulk)..								2	
-2	68X6BO	. ADAPTER, 1/4 NPT to 3/8 in. tube (79470) (Davey 28888) .....								1	
-3	COML	. BUSHING, Reducing, 1/2 NPT to 1/4 NPT .....								1	
-4	69X6BO	. ELBOW, 1/4 NPT to 3/8 in. tube (79470) (Davey 28890) .....								2	
-5	64407	. REGULATOR ASSEMBLY, Air pressure (see figure 13 for details) ....								1	
-6	COML	. NIPPLE, Close, 1/2 NPT .....								1	
-7	COML	. TEE, Pipe, 1/2 NPT .....								1	
-8	COML	. NIPPLE, Pipe, 1/2 NPT, 7 in. lg .....								1	
-9	COML	. BUSHING, Reducing, 3/4 NPT to 1/2 NPT .....								1	
-10	R14-200-R35A	. REGULATOR ASSEMBLY, Air pressure, non-return valve (43990) .... (Davey 64916)								1	
-11	COML	. PLUG, Pipe, socket hd, 1/8 NPT .....								2	
-12	COML	. NIPPLE, Close, 1/4 NPT .....								1	
-13	62417	. ADAPTER .....								1	
-14	110-3-4	. WASHER, Sealing (86579) (Davey 26826) .....								1	
-15	28053	. CONNECTION, Discharge .....								1	
-16	COML	. SCREW, Cap, socket hd, 1/2 NC x 1-1/2 in. lg (AP) .....								4	
-17	COML	. WASHER, Lock, split, 1/2 in. (AP) .....								4	
-18	PRP568-342-975-75	. PACKING, Preformed, o-ring (77308) (Davey 24031) .....								1	
-19	49797	. HOUSING, Minimum pressure valve .....								1	
-20	COML	. SCREW, Cap, socket hd, 1/2-13NC x 5-1/2 in. lg (AP) .....								4	
-21	COML	. WASHER, Lock, internal tooth, 1/2 in. (AP) .....								4	
-22	COML	. PLUG, Pipe, socket hd, 1/4 NPT .....								1	
-23	26844	. VALVE ASSEMBLY, Non-return (see figure 15 for details) .....								1	
-24	26840	. PISTON .....								1	
-25	PRP568-334-975-75	. PACKING, Preformed, o-ring (77308) (Davey 26859) .....								1	
-26	26841	. SPRING .....								1	
-27	PRP568-436-975-75	. PACKING, Preformed, o-ring (77308) (Davey 26829) .....								1	
-28	FIG86-125-1-1-4	. VALVE ASSEMBLY, Relief (34494) (Davey 49164) .....								1	
-29	COML	. ELBOW, Street, 1-1/4 NPT, 90° .....								1	
-30	60226	. VALVE ASSEMBLY, Blowdown (see figure 14 for details) .....								1	
-31	8011-4	. NIPPLE, Hex, 1/4 NPT (25738) (Davey 28914) .....								1	
-32	49170	. COVER, Oil separator tank (furnished with oil separator tank only, .....								REF	
		not serviced separately)									
-33	61876	. SCREW, Cap, hex hd, special (AP) (do not substitute) .....								12	
-34	COML	. WASHER, Lock, split, 3/4 in. (AP) .....								12	
-35	60980	. PIPE, Drain, separator element .....								1	
-36	3075	. BOLT, Eye (71177) (Davey 22446) .....								2	
-37	48776	. ELEMENT, Oil separator .....								1	
-38	26359	. PLUG, Oil filler (not a component of 49564 assembly) .....								1	
-39	PRP568-220-975-75	. PACKING, Preformed, o-ring (77308) (Davey 24982) (not a .....								1	
		component of 49564 assembly)									
-40	63062	. ADAPTER, Oil filler (not a component of 49564 assembly) .....								1	
-41	COML	. ELBOW, Street, 1-1/2 NPT, 45° .....								1	
-42	COML	. PLUG, Pipe, square hd, 1-1/4 NPT .....								1	
-43	COML	. PLUG, Pipe, square hd, 1/2 NPT .....								2	
-44	COML	. PLUG, Pipe, square hd, 1/4 NPT .....								1	
-45	COML	. ELBOW, Street, 1-1/2 NPT, 45° .....								1	
-46	48778	. TANK ASSEMBLY, Oil separator .....								1	

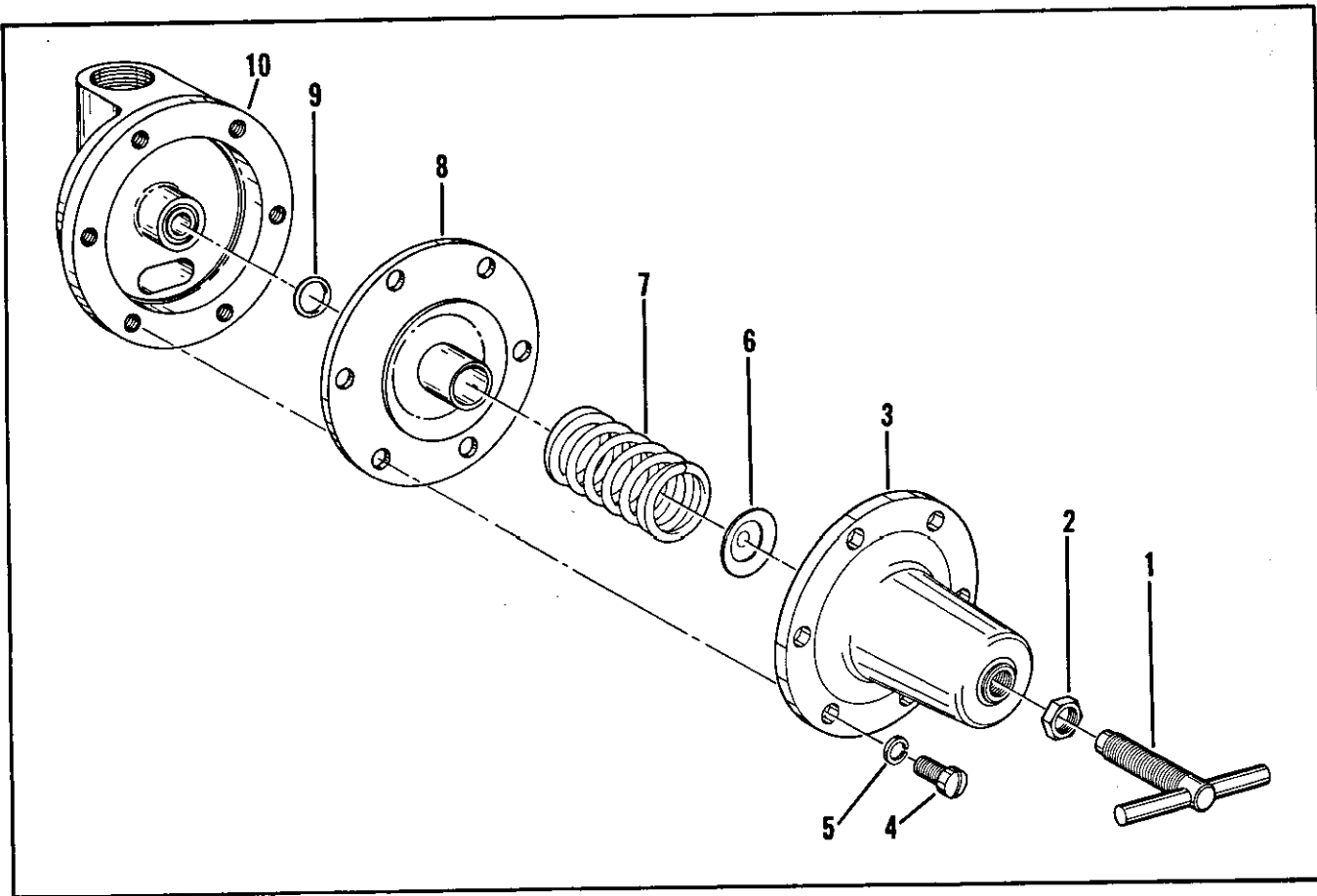


Figure 13. Air pressure regulator assembly

FIG. & INDEX NO.	PART NUMBER	DESCRIPTION	UNITS	USABLE
			PER ASSY	ON CODE
13-	64407	REGULATOR ASSEMBLY, Air pressure (see figure 12-5 for NHA) .....	1	
-1	SA18A53	· SCREW, Adjusting (79227) (Davey 62507) .....	1	
-2	COML	· NUT, Hex, 3/8-24 NF .....	1	
-3	C18AB	· HOUSING, Spring (79227) (Davey 62503) .....	1	
-4	COML	· SCREW, Mach., fil hd, 1/4-20NC x 5/8 in. lg (AP).....	6	
-5	COML	· WASHER, Lock, split, 1/4 in. (AP) .....	6	
-6	45A62	· SEAT, Adjusting screw (79227) (Davey 62502) .....	1	
-7	296	· SPRING, Regulator (79227) (Davey 62501) .....	1	
-8	SA118A20	· DIAPHRAGM ASSEMBLY (79227) (Davey 64406) .....	1	
-9	PRP568-012-975-75	· PACKING, Preformed (77308) (Davey 24498) .....	1	
-10	64405	· BODY, Regulator .....	1	



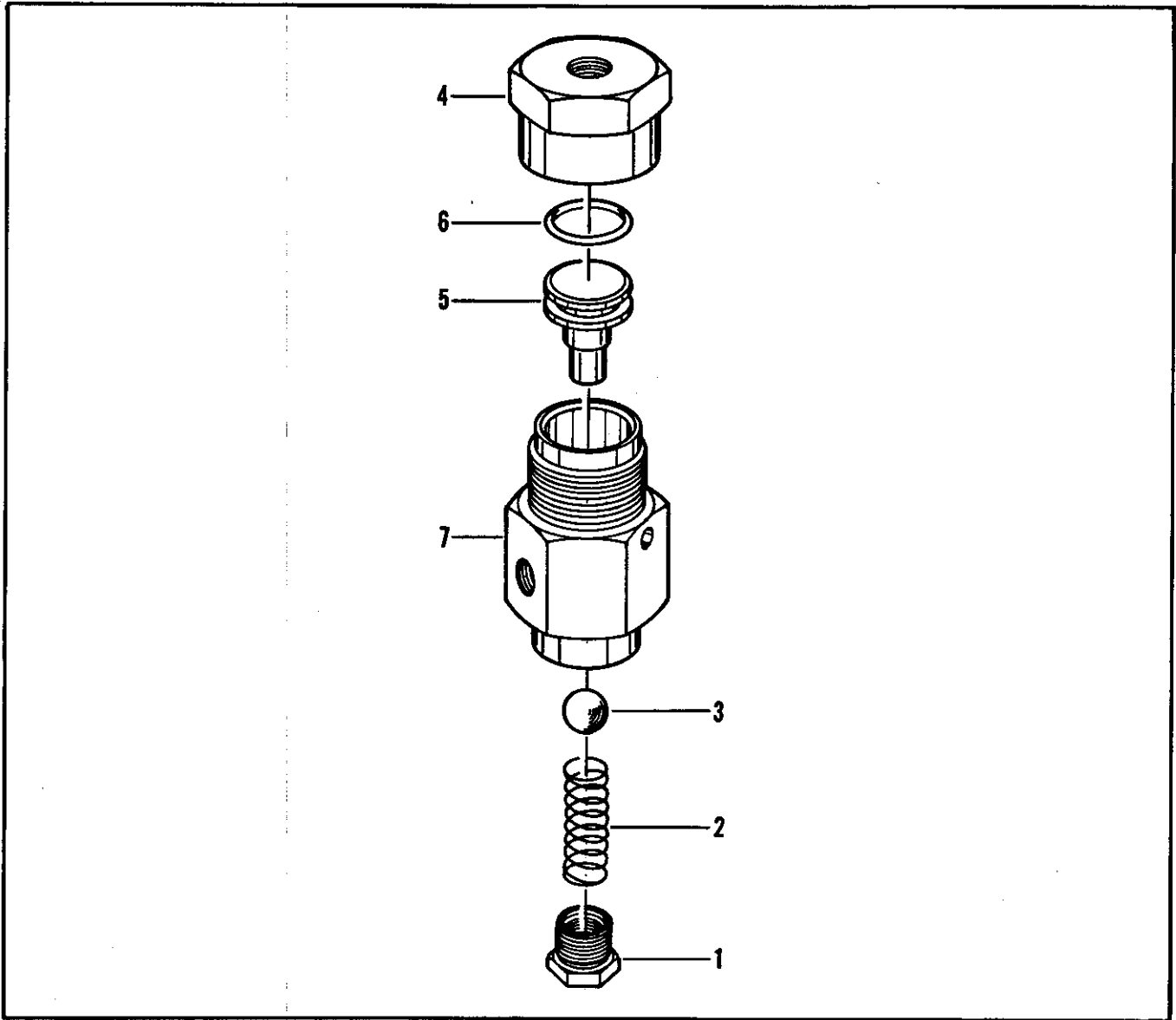


Figure 14. Blowdown valve assembly

FIG. & INDEX NO.	PART NUMBER	DESCRIPTION	UNITS	USABLE ON CODE
			PER ASSY	
		1 2 3 4 5 6 7		
14-	60226	VALVE ASSEMBLY, Blowdown (see figure 12-30 for NHA) .....	REF	
-1	36560	. BUSHING .....	1	
-2	41829	. SPRING .....	1	
-3	COML	. BALL, Steel, 1/2 in. dia. ....	1	
-4	44705	. CAP, Valve .....	1	
-5	44704	. PISTON, Valve .....	1	
-6	PRP568-210-975-75	. PACKING, Preformed, o-ring (77308) (Davey 24506) .....	1	
-7	36559	. BODY, Valve .....	1	

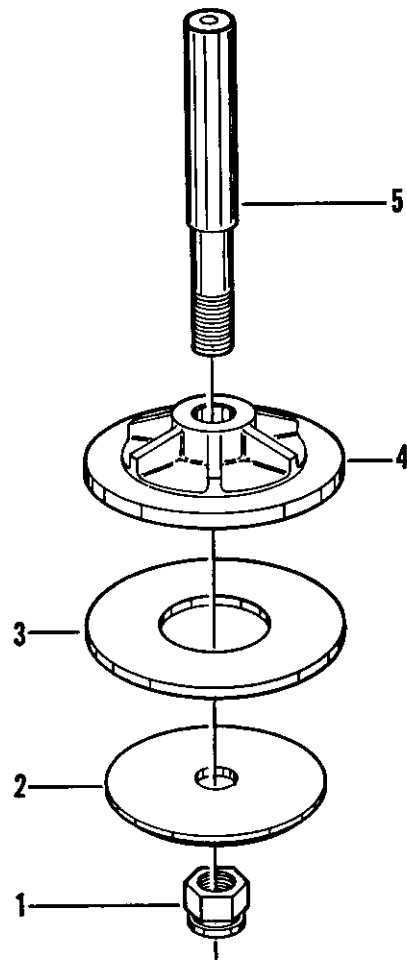


Figure 15. Non-return valve assembly

FIG. & INDEX NO.	PART NUMBER	DESCRIPTION	UNITS PER ASSY	USABLE ON CODE
15-	26844	VALVE ASSEMBLY, Non-return (see figure 12-23 for NHA) .....	REF	
-1	COML	. NUT, Lock, 1/2-13NC .....	1	
-2	26847	. WASHER, Retaining .....	1	
-3	26846	. DISC, Valve .....	1	
-4	26848	. HEAD, Valve .....	1	
-5	26845	. STEM, Valve .....	1	

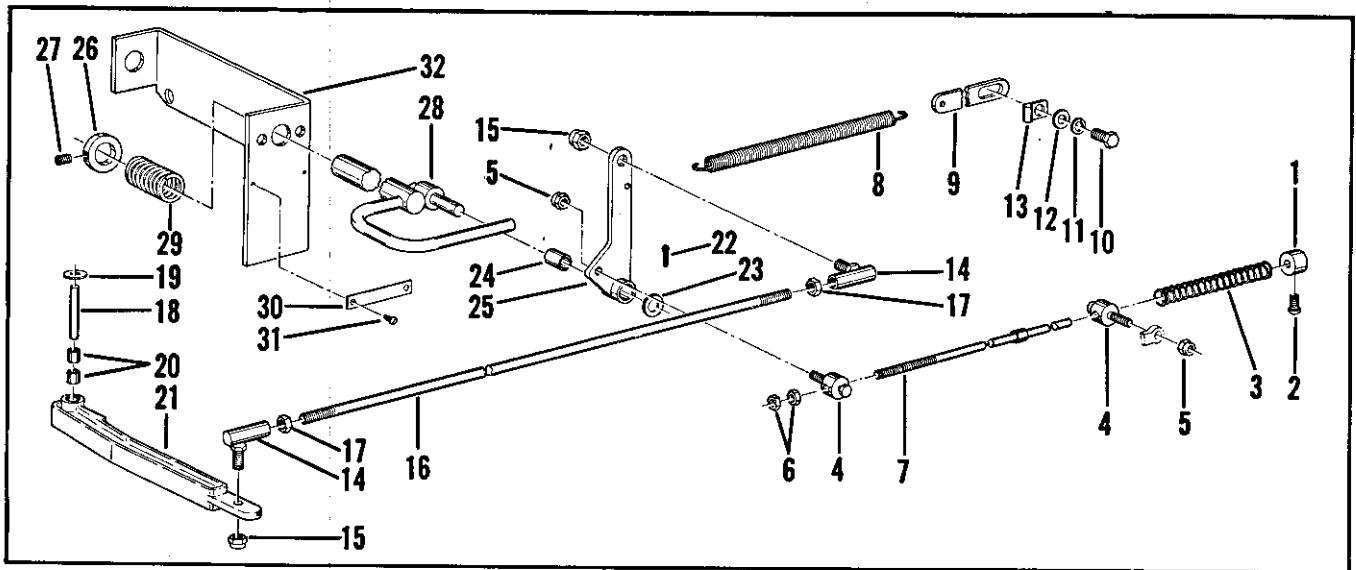


Figure 16. Speed control linkage group

FIG. & INDEX NO.	PART NUMBER	DESCRIPTION	UNITS PER ASSY							USABLE ON CODE	
			1	2	3	4	5	6	7		
16-	NO NUMBER	SPEED CONTROL LINKAGE GROUP (See figure 1-32 for NHA) .....								REF	
-1	27917	. COLLAR .....								1	
-2	COML	. SCREW, Rd hd, 1/4-20NC x 1/2 in. lg (AP) .....								1	
-3	62156	. SPRING, Rod .....								1	
-4	18952	. BLOCK, Stop .....								2	
-5	COML	. NUT, Lock, hex, 1/4-28NF (AP) .....								2	
-6	COML	. NUT, Plain hex, 1/4-28NF .....								2	
-7	63547	. ROD, Speed control .....								1	
-8	62094	. SPRING .....								1	
-9	63549	. BRACKET, Spring .....								1	
-10	COML	. SCREW, Cap, hex hd, 5/16-18NC x 3/4 in. lg (AP) .....								1	
-11	COML	. WASHER, Lock, split, 5/16 in. (AP) .....								1	
-12	COML	. WASHER, Flat, 5/16 in. (AP) .....								1	
-13	CO-0413	. CLIP, Tubing (75272) (Davey 60627) .....								1	
-14	SP1003CP	. BALL JOINT (01428) (Davey 44125) .....								2	
-15	COML	. NUT, Lock, hex, 5/16-24NF (AP) .....								2	
-16	63548	. ROD, Speed control .....								1	
-17	COML	. NUT, Hex, plain, 5/16-24NF .....								2	
	62071	. ARM ASSEMBLY, Speed control .....								1	
-18	40596	. PIN (AP) .....								1	
-19	COML	. WASHER, Flat, 1/4 in. (AP) .....								2	
-20	4N6D	. BUSHING, Arm (05469) (Davey 40875) .....								2	
-21	62070	. ARM, Control .....								1	
	62155	. ARM, Speed control .....								1	
-22	COML	. PIN, Cotter, 1/16 in. dia x 3/4 in. lg (AP) .....								1	
-23	COML	. WASHER, Flat, 3/8 in. (AP) .....								1	
-24	AAB502-1	. BUSHING, Arm (70417) (Davey 61840) .....								1	
-25	62154	. ARM, Control .....								1	
	62849	. CONTROL ASSEMBLY, Idle .....								1	
-26	61959	. COLLAR .....								1	
-27	COML	. SETSCREW, Soc hd, cup pt, 1/4-20NC x 3/8 in. lg (AP) .....								1	
-28	62848	. SHAFT ASSEMBLY .....								1	
-29	61972	. SPRING .....								1	
-30	62508	. PLATE, Instruction .....								1	
-31	COML	. SCREW, Self tapping, no. 4-40NC x 1/4 in. lg (AP) .....								2	
-32	62845	. BRACKET, Idle control .....								1	

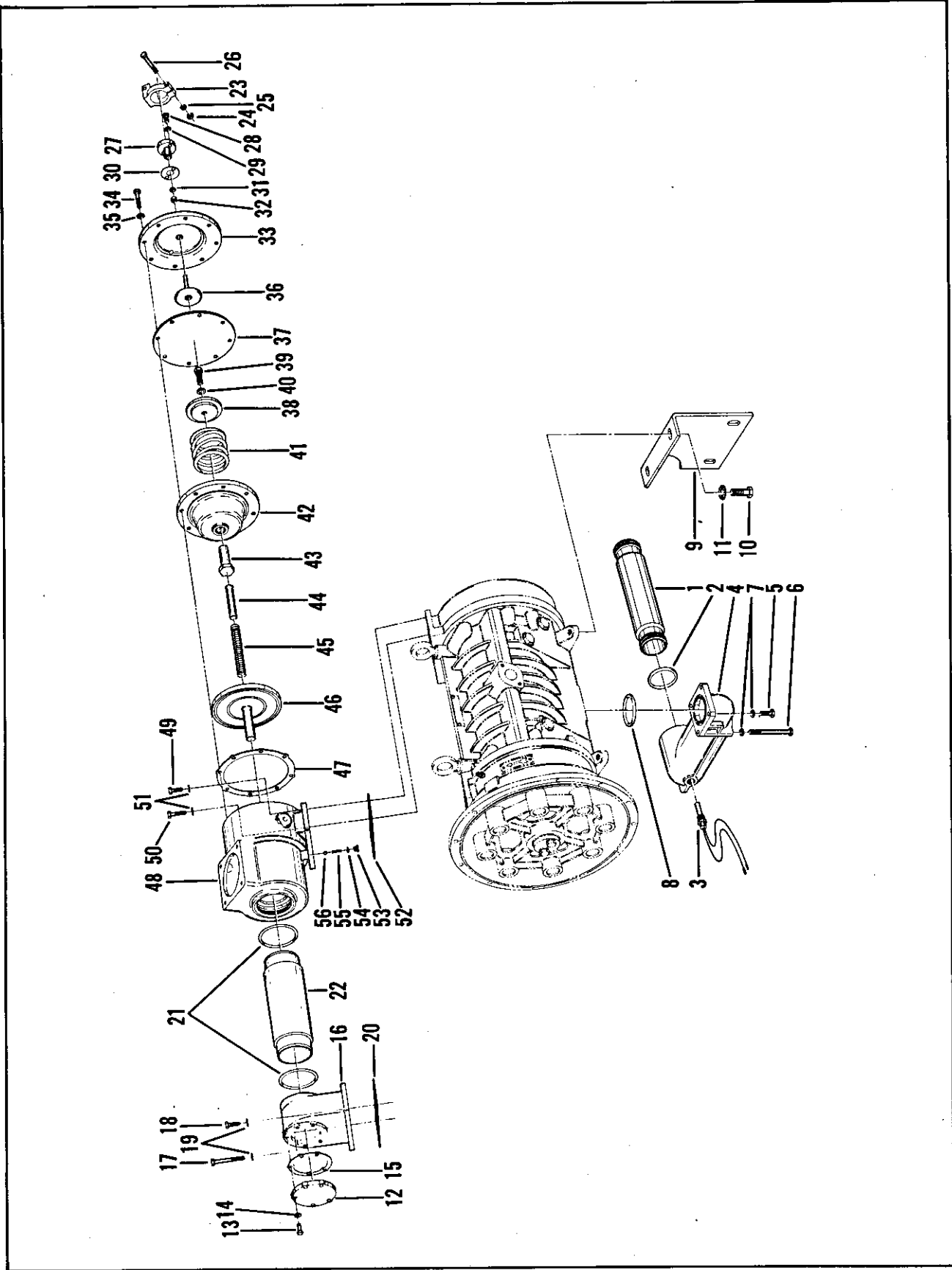


Figure 17. Air compressor assembly and mounting group (sheet 1 of 2)

FIG. & INDEX NO.	PART NUMBER	DESCRIPTION	UNITS PER ASSY	USABLE ON CODE
17-	NO NUMBER	COMPRESSOR ASSEMBLY, Air, and mounting group (see figure 1-33 for NHA) .....	REF	
-1	49162	. TUBE, Discharge .....	1	
-2	†PRP568-336-975-75	. PACKING, Preformed, o-ring (77308) (Davey 26868).....	2	
-3	49793	. THERMOSWITCH ASSEMBLY .....	1	
-4	49161	. CONNECTION, Discharge .....	1	
-5	COML	. SCREW, Cap, hex hd, 3/8-16NC x 1-1/2 in. lg (AP) .....	3	
-6	COML	. SCREW, Cap, hex hd, 3/8-16NC x 5 in. lg (AP) .....	1	
-7	COML	. WASHER, Lock, split, 3/8 in. (AP) .....	4	
-8	†PRP568-338-975-75	. PACKING, Preformed, o-ring (77308) (Davey 41584) .....	1	
-9	49157	. COMPRESSOR ASSEMBLY .....	1	
-10	COML	. SUPPORT, Compressor .....	1	
-11	COML	. SCREW, Cap, hex hd, 5/8-11NC x 2 in. lg (AP) .....	2	
-12	61642	. WASHER, Lock, split, 5/8 in. (AP) .....	2	
-13	COML	. COVER, Intake connection .....	1	
-14	COML	. SCREW, Cap, hex hd, 5/16-18NC x 1 in. lg (AP) .....	5	
-15	*60432	. WASHER, Lock, split, 5/16 in. (AP) .....	5	
-16	60431	. GASKET, Cover .....	1	
-17	COML	. CONNECTION, Intake .....	1	
-18	COML	. SCREW, Cap, hex hd, 3/8-16NC x 3-1/2 in. lg (AP) .....	2	
-19	COML	. SCREW, Cap, hex hd, 3/8-16NC x 1-1/4 in. lg (AP) .....	4	
-20	*48753	. WASHER, Lock, internal tooth, 3/8 in. (AP) (Davey 28146) .....	6	
-21	†PRP568-345-975-75	. GASKET, Connection .....	1	
-22	48494	. PACKING, Preformed, o-ring (77308) (Davey 48499) .....	2	
-23	61757	. TUBE, Intake .....	1	
-24	COML	. CLAMP, Pivot .....	1	
-25	COML	. NUT, Plain hex, 1/4-20NC (AP) .....	1	
-26	COML	. WASHER, Lock, split, 1/4 in. (AP) .....	1	
-27	61759	. SCREW, Cap, hex hd, 1/4-20NC x 2-1/2 in. lg (AP) .....	1	
-28	COML	. GUIDE, Push rod .....	1	
-29	COML	. SCREW, Cap, socket hd, 1/4-20NC x 3/4 in. lg (AP) .....	2	
-30	*61761	. WASHER, Lock, internal tooth, 1/4 in. (AP) (Davey 28149).....	2	
-31	†PRP568-012-975-75	. GASKET, Guide .....	1	
-32	26981	. PACKING, Preformed, o-ring (77308) (Davey 24498) .....	1	
-33	61786	. BUSHING .....	1	
-34	COML	. COVER, Intake control .....	1	
-35	COML	. SCREW, Cap, hex hd, 3/8-16NC x 2 in. lg (AP).....	8	
-36	61953	. WASHER, Lock, internal tooth, 3/8 in. (AP) (Davey 28146) .....	8	
-37	48463	. PUSH ROD ASSEMBLY .....	1	
-38	48464	. DIAPHRAGM, Intake control .....	1	
-39	COML	. PISTON, Intake control .....	1	
-40	COML	. SCREW, Cap, hex hd, 1/2-13NC x 1-1/2 in. lg (AP) .....	1	
-41	48462	. WASHER, Lock, internal tooth, 1/2 in. (AP) (Davey 28145) .....	1	
-42	48477	. SPRING, Piston .....	1	
-43	48467	. CYLINDER, Intake control .....	1	
-44	46807	. STEM, Piston .....	1	
-45	61707	. GUIDE, Intake control .....	1	
-46	48475	. SPRING, Guide .....	1	
-47	*48754	. VALVE ASSEMBLY, Intake control .....	1	
-48	48491	. GASKET, Cover intake control .....	1	
-49	COML	. BODY, Intake control .....	1	
-50	COML	. SCREW, Cap, hex hd, 3/8-16NC x 1-1/4 in. lg (AP) .....	4	
-51	COML	. SCREW, Cap, hex hd, 3/8-16NC x 1-3/4 in. lg (AP) .....	2	
-52	*48753	. WASHER, Lock, internal tooth, 3/8 in. (AP) (Davey 28146).....	6	
-53	45121	. GASKET, Body intake control .....	1	
-54	†PRP568-012-975-75	. PLUG .....	1	
-55	46888	. PACKING, Preformed, o-ring (77308) (Davey 24498) .....	1	
-56	COML	. SPRING .....	1	
		. BALL, Steel, 5/16 in. dia .....	1	

† Component of kit no. 62340

\* Component of kit no. 62399

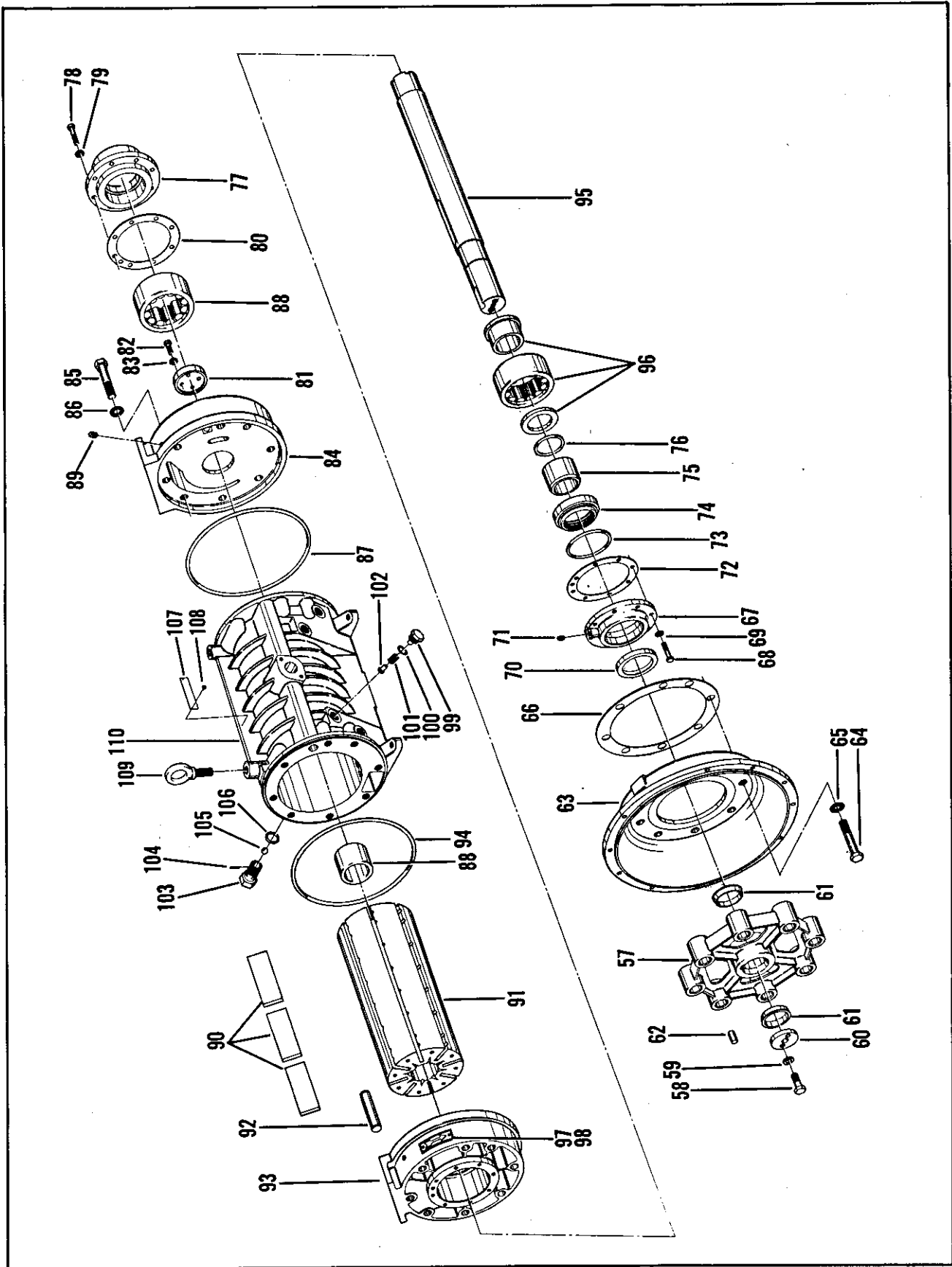


Figure 17. Air compressor assembly and mounting group (sheet 2 of 2)

FIG. & INDEX NO.	PART NUMBER	DESCRIPTION	UNITS PER ASSY	USABLE ON CODE
17-57	48483	. . COUPLING, Drive .....	1	
-58	61240	. . SCREW, Cap, hex hd, special, 5/8-11NC x 1-3/4 in. lg (AP) .....	2	
-59	COML	. . WASHER, Lock, split, 5/8 in. (AP) .....	2	
-60	48495	. . RETAINER, Coupling (AP) .....	1	
-61	48484	. . COLLET, Coupling (AP) .....	2	
-62	24984	. . KEY, Dowel, coupling (AP) .....	1	
-63	48757	. . ADAPTER, Engine mounting .....	1	
-64	COML	. . SCREW, Cap, hex hd, 3/4-10NC x 4-1/2 in. lg (AP) .....	8	
-65	110-3-4	. . WASHER, Sealing (AP) (86579) (Davey 16826) .....	8	
-66	*48759	. . GASKET, Adapter .....	1	
-67	48486	. . COVER, Oil seal, drive end .....	1	
-68	COML	. . SCREW, Cap, hex hd, 5/16-18NC x 1-1/2 in. lg (AP) .....	8	
-69	COML	. . WASHER, Lock, internal tooth, 5/16 in. (AP) (Davey 28147) .....	8	
-70	350-450-16	. . SEAL, Oil (71724) (Davey 47702) .....	1	
-71	COML	. . PLUG, Pipe, sq hd, 1/8 NPT .....	1	
-72	*48752	. . GASKET, Cover .....	1	
-73	†PRP568-425-975-75	. . PACKING, Preformed, o-ring (77308) (Davey 48498) .....	1	
-74	48461	. . SLEEVE, Seal .....	1	
-75	48470	. . SLEEVE, Bearing lock .....	1	
-76	†PRP568-335-975-75	. . PACKING, Preformed, o-ring (77308) (Davey 24196).....	1	
-77	48485	. . COVER, Bearing, non-drive end .....	1	
-78	COML	. . SCREW, Cap, hex hd, 5/16-18NC x 1-1/2 in. lg (AP) .....	8	
-79	COML	. . WASHER, Lock, internal tooth, 5/16 in. (AP) (Davey 28147) .....	8	
-80	*48752	. . GASKET, Cover .....	1	
-81	62574	. . RETAINER, Bearing .....	1	
-82	COML	. . SCREW, Cap, hex hd, 3/8-16NC x 1-1/4 in. lg (AP) .....	4	
-83	COML	. . WASHER, Lock, split, 3/8 in. (AP) .....	4	
-84	48480	. . COVER, Non-drive end .....	1	
-85	COML	. . SCREW, Cap, hex hd, 3/4-10NC x 4 in. lg (AP) .....	8	
-86	110-3-4	. . WASHER, Sealing (AP) (86579) (Davey 26826) .....	8	
-87	†PRP568-280-975-75	. . PACKING, Preformed, o-ring (77308) (Davey 48497).....	1	
-88	E5314UMR	. . BEARING, Non-drive end (51600) (Davey 48472) .....	1	
-89	COML	. . PLUG, Pipe, sq hd, 1/4 NPT .....	1	
-90	62309	. . BLADE, Rotor .....	24	
-91	62896	. . ROTOR .....	1	
-92	62250	. . KEY, Dowel, rotor .....	1	
-93	48481	. . COVER, Drive end .....	1	
-94	†PRP568-280-975-75	. . PACKING, Preformed, o-ring (77308) (Davey 48497) .....	1	
-95	62358	. . SHAFT, Rotor .....	1	
-96	LP5314UMR	. . BEARING, Drive end (51600) (Davey 48471) .....	1	
-97	18806	. . PLATE, Rotation .....	1	
-98	COML	. . SCREW, Self tapping, no. 4-40NC x 1/4 in. lg (AP) .....	2	
-99	43392	. . PLUG, Valve .....	4	
-100	†PRP568-119-975-75	. . PACKING, Preformed, o-ring (77308) (Davey 24964).....	4	
-101	43394	. . SPRING, Valve .....	4	
-102	43393	. . VALVE .....	4	
	48489	. . VALVE ASSEMBLY, Drain .....	1	
-103	48488	. . BODY, Valve, drain .....	1	
-104	48490	. . PIN .....	1	
-105	COML	. . BALL, Steel, 5/8 in. dia .....	1	
-106	†PRP568-123-975-75	. . PACKING, Preformed, o-ring (77308) (Davey 48496) .....	1	
-107	44972	. . PLATE, Identification .....	1	
-108	COML	. . SCREW, Self tapping, no. 4-40NC x 1/4 in. lg (AP) .....	2	
-109	3075	. . BOLT, Eye (71177) (Davey 22446) .....	2	
-110	48460	. . STATOR .....	1	
	62399	KIT, Gasket, compressor .....	1	
	62340	KIT, Preformed packing, compressor .....	1	

\* Component of kit no. 62399

† Component of kit no. 62340

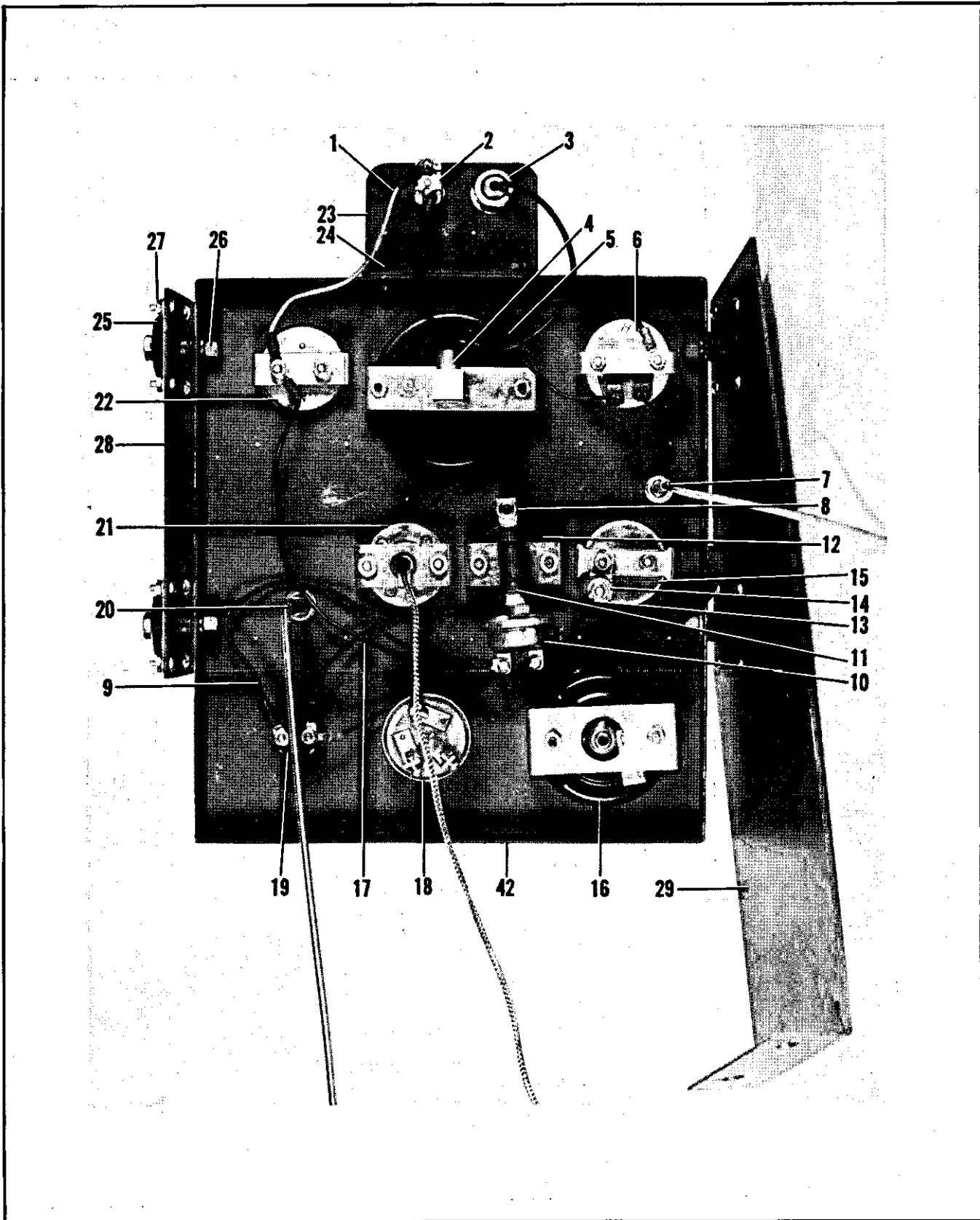


Figure 18. Instrument panel assembly (sheet 1 of 2)



FIG. & INDEX NO.	PART NUMBER	DESCRIPTION	UNITS PER ASSY	USABLE ON CODE		
					1	2
18-	64947	INSTRUMENT PANEL ASSEMBLY (See figure 1-34 for NHA) .....	REF			
	64244	. HARNESS, Main wiring (not shown, not serviced separately) .....	1			
	64997	. HARNESS, Wiring, overspeed switch to safety switch (not shown) .....	1			
-1	49057	. WIRE ASSEMBLY, Ammeter to lamp switch .....	1			
-2	8801-K13	. SWITCH, Lamp (15605) (Davey 27670) .....	1			
	827-228-F3	. PLATE, Lamp switch (15605) (Davey 27671) .....	1			
-3	899803	. LAMP ASSEMBLY, Panel (73331) (Davey 42187) .....	1			
	COML	. NUT, Jam, hex, 5/8-18NF (AP) .....	1			
	COML	. WASHER, Lock, internal tooth, 5/8 in. (AP) .....	1			
	5949532	. LENS, Lamp (73331) .....	1			
	W623	. LAMP, Incandescent (65083) .....	1			
-4	70X6BO	. ELBOW (79470) (Davey 28891) .....	1			
-5	14950	. GAUGE, Air pressure .....	1			
-6	HM24-2	. HOURMETER (31211) (Davey 65400) .....	1			
-7	LP3864R-36	. CABLE, Control, cold weather starting aid (61112) .....	1			
-8	69X5BO	. ELBOW (79470) (Davey 41899) .....	1			
-9	49294	. WIRE ASSEMBLY, Safety switch to pressure switch .....	1			
-10	M4009-1	. SWITCH, Pressure (74400) (Davey 37989) .....	1			
-11	COML	. TEE, Pipe, 1/8 NPT .....	1			
-12	2550-108	. GAUGE, Engine oil pressure (07077) (Davey 62085) .....	1			
-13	49292	. WIRE ASSEMBLY, Safety switch to fuel level gauge .....	1			
-14	G428989	. RESISTOR (57733) (Davey 44365) .....	1			
-15	10325-12	. GAUGE, Fuel level (57733) (Davey 42341) .....	1			
	64949	. CABLE, Tachometer drive (not shown) .....	1			
-16	551Y	. TACHOMETER (57733) (Davey 61901) .....	1			
-17	49292	. WIRE ASSEMBLY, Ammeter to Heat-Start switch .....	1			
-18	8S7713	. SWITCH ASSEMBLY, Heat-Start (11083) .....	1			
-19	5570-3	. SWITCH, Safety pushbutton (87930) (Davey 62063) .....	1			
-20	119-032X46	. CABLE, Control, engine stop (70436) (Davey 27854) .....	1			
-21	2055-79	. GAUGE, Water temperature (09393) (Davey 60848) .....	1			
-22	7F6429	. AMMETER (11083) .....	1			
-23	64985	. PANEL .....	1			
-24	COML	. NUT, Lock, spinlock 1/4-20NC (AP) .....	2			
	COML	. SCREW, Spinlock, 1/4-20NC x 1/2 in. lg (AP) .....	2			
-25	206P-20	. MOUNT, Vibration (76005) (Davey 60186) .....	4			
-26	COML	. NUT, Hex, 3/8-16NC (AP) .....	4			
	COML	. WASHER, Lock, split, 3/8 in. (AP) .....	4			
	COML	. SCREW, Cap, hex hd, 3/8-16NC x 1-1/2 in. lg (AP) .....	4			
-27	COML	. NUT, Hex, no. 10-24NC (AP) .....	16			
	COML	. WASHER, Lock, internal tooth, no. 10 (AP) .....	16			
	COML	. SCREW, Machine, rd hd, no. 10-24NC x 1/2 in. lg (AP) .....	16			
-28	62841	. BRACKET, Panel .....	1			
-29	62840	. BRACKET, Panel .....	1			
-30	40620	. PLATE, Identification, hourmeter .....	1			
-31	60487	. PLATE, Identification, air pressure .....	1			
-32	41998	. PLATE, Identification, lamp switch .....	1			
-33	60489	. PLATE, Identification, ammeter .....	1			
-34	61619	. PLATE, Identification, stop .....	1			
-35	61624	. PLATE, Identification, safety .....	1			
-36	60491	. PLATE, Identification, engine water temperature .....	1			
-37	60488	. PLATE, Identification, engine oil pressure .....	1			
-38	64461	. PLATE, Identification, tachometer .....	1			
-39	60493	. PLATE, Identification, fuel gauge .....	1			
-40	COML	. SCREW, Self tapping, no. 4 (AP) .....	20			
-41	5L9650	. DECAL, Glow plug use (11083) .....	1			
-42	62843	. PANEL, Instrument .....	1			

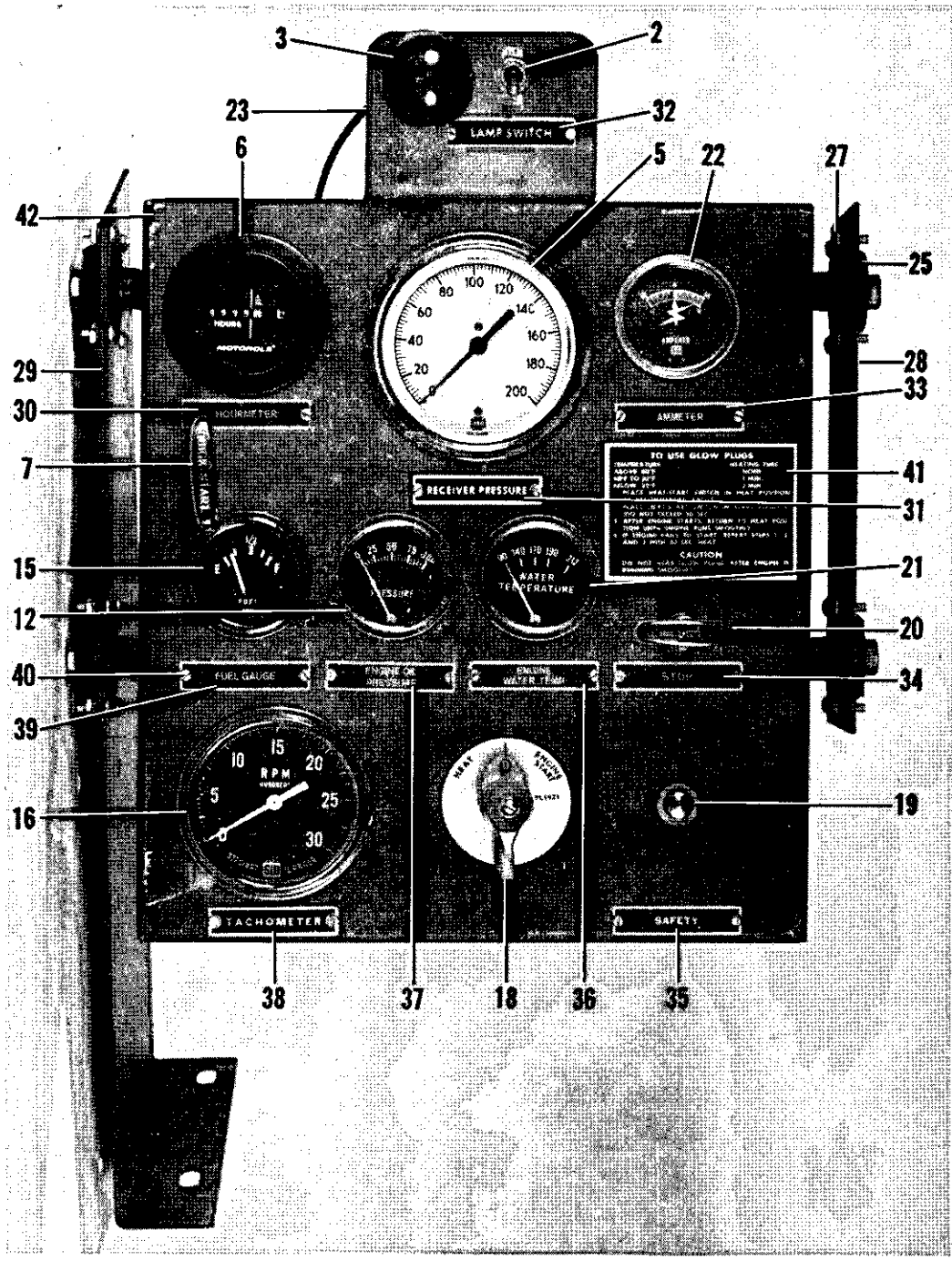


Figure 18. Instrument panel assembly (sheet 2 of 2)

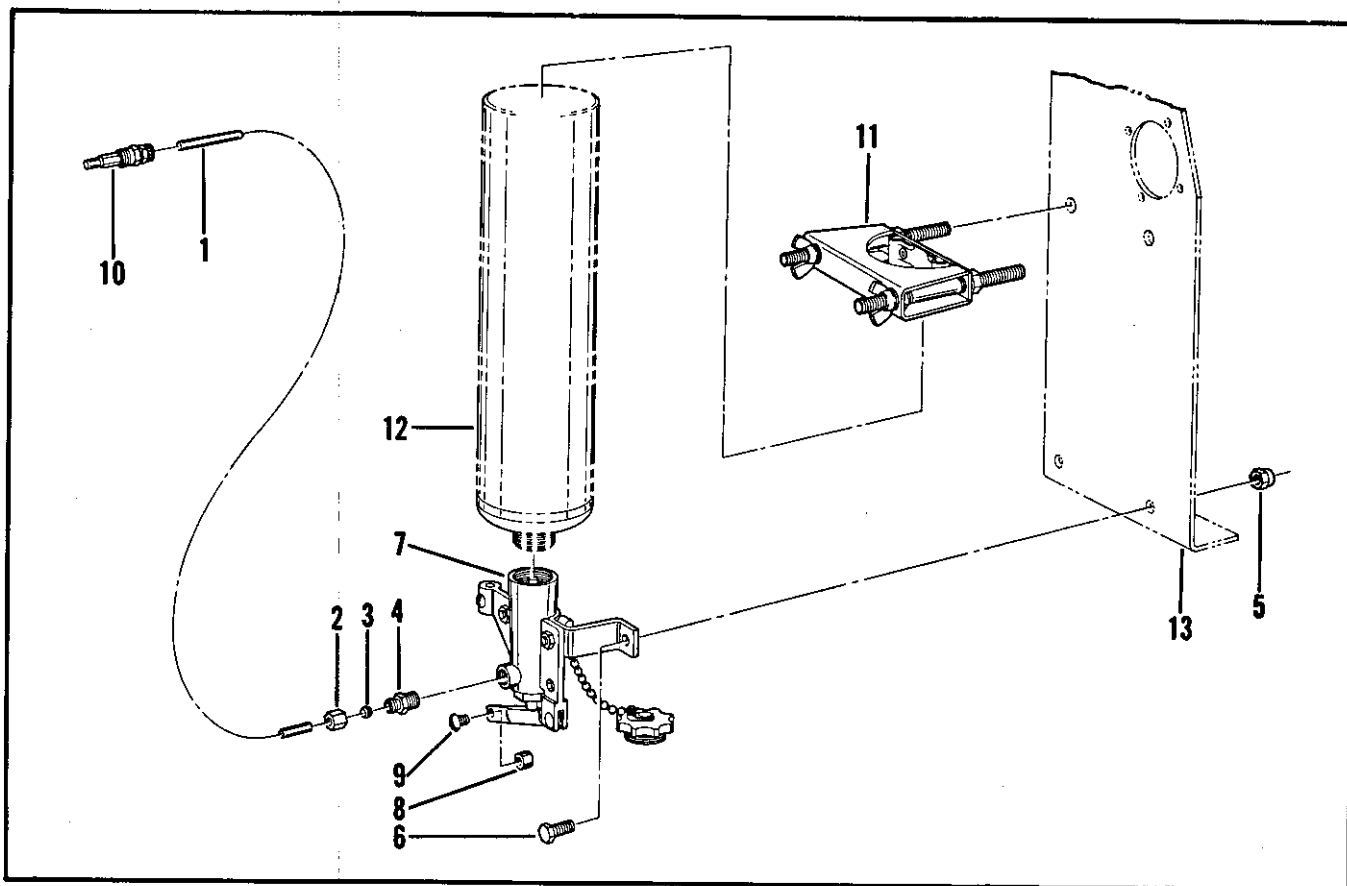


Figure 19. Cold weather starting aid group

FIG. & INDEX NO.	PART NUMBER	DESCRIPTION							UNITS PER ASSY	USABLE ON CODE
		1	2	3	4	5	6	7		
19-	NO NUMBER	STARTING AID, Cold weather (see figure 1-35 for NHA) .....							REF	
-1	COML	. TUBING, Copper, fuel line, 1/8 in. OD x 0.030 in. wall, 72 in. lg .....							1	
-2	61X2	. NUT, Tubing, 1/8 in. (79470) (Davey 40014) .....							1	
-3	60X2	. SLEEVE, Compression, 1/8 in. (79470) (Davey 40013) .....							1	
-4	68X2BO	. ADAPTER, Straight, 1/8 NPT to 1/8 in. tube (79470) (Davey 29737) ....							1	
	QS3267-201	. STARTING AID (61112) (Davey 46246) .....							1	
-5	COML	. NUT, Lock, hex, 1/4-20NC (AP) .....							2	
-6	COML	. SCREW, Cap, hex hd, 1/4-20NC x 3/4 in. lg (AP) .....							2	
-7	LP3222-1	. VALVE ASSEMBLY (61112) .....							1	
	LP2814	. STOP AND SCREW (61112) .....							1	
-8	LP2812	. . . STOP, Wire (61112) .....							1	
-9	LP2813	. . . SCREW, Machine, rd hd (61112) .....							1	
-10	LP2377-1	. FITTING, Manifold (61112) .....							1	
-11	LP2299	. CLAMP, Mounting, cylinder (61112) .....							1	
	LP3864R-36	. CABLE, Control (61112) (see figure 18-7 for mounting) .....							REF	
-12	LP535	. CYLINDER, Fuel (61112) (not furnished, shown for reference only) ....							REF	
-13	62840	. BRACKET, Panel (see figure 18-29 for NHA) .....							REF	

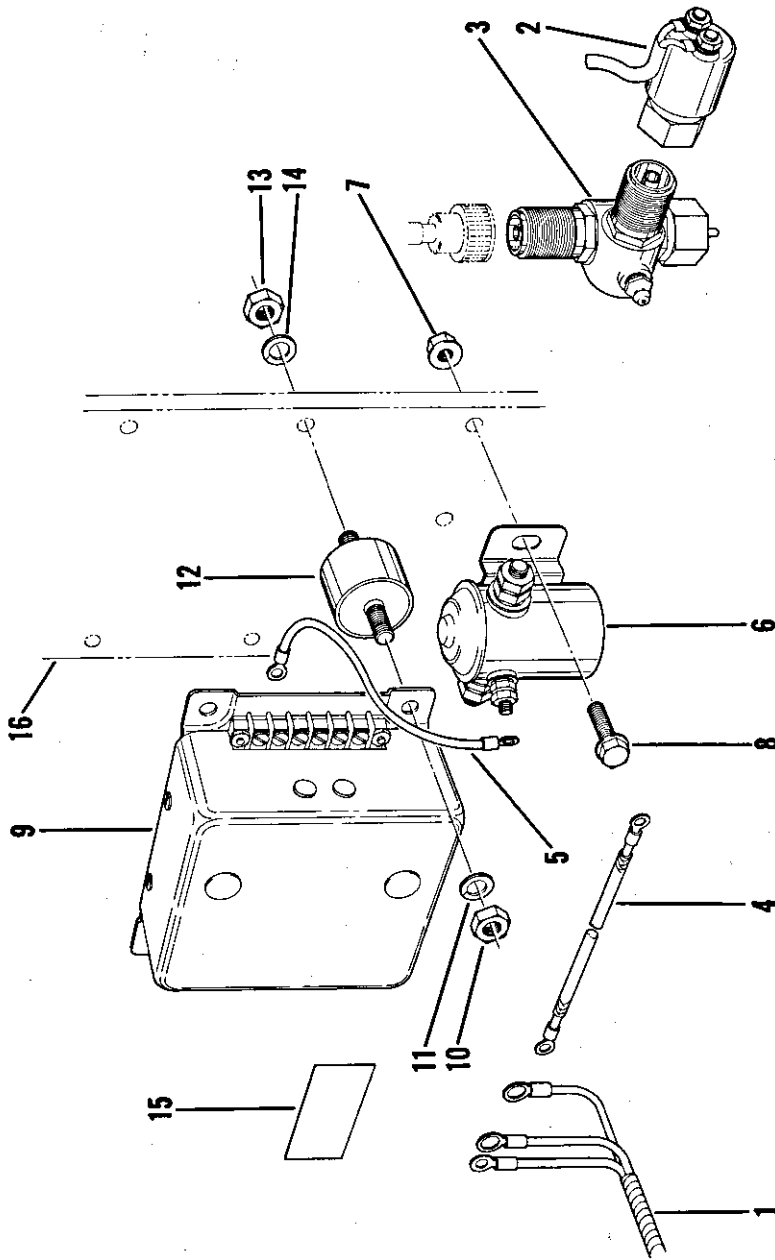


Figure 20. Overspeed switch installation

FIG. & INDEX NO.	PART NUMBER	DESCRIPTION	UNITS PER ASSY	USABLE ON CODE
20-	NO NUMBER	SWITCH INSTALLATION, Overspeed (see figure 1-36 for NHA) .....	REF	
-1	64997	. HARNESS, Wiring (see figure 1-8 for NHA) .....	REF	
-2	TR2-8	. TRANSMITTER (05662) (included with overspeed switch) .....	1	
-3	K1110-18	. ADAPTER, Tachometer drive (05662) (Davey 60739) .....	1	
-4	62075	. WIRE ASSEMBLY .....	2	
-5	29188	. WIRE ASSEMBLY .....	1	
-6	SAS4407-1	. SWITCH, Solenoid (19728) (Davey 63495) .....	1	
-7	COML	. NUT, Spinlock, 1/4-20NC (AP) .....	2	
-8	COML	. SCREW, Spinlock, 1/4-20NC x 1 in. lg (AP) .....	2	
-9	1-SS2-12-M	. SWITCH, Overspeed (05662) (Davey 64948, includes transmitter) .....	1	
-10	COML	. NUT, Hex, 5/16-18NC (AP) .....	2	
-11	COML	. WASHER, Lock, split, 5/16 in. (AP) .....	2	
-12	62554	. CONNECTOR, Cushion, switch .....	2	
-13	COML	. NUT, Hex, 5/16-18NC (AP) .....	2	
-14	COML	. WASHER, Lock, split, 5/16 in. (AP) .....	2	
-15	65434	. DECAL, Reset instruction .....	1	
-16	63710	. FRAME, Lifting (see figure 1-37 for NHA) .....	REF	

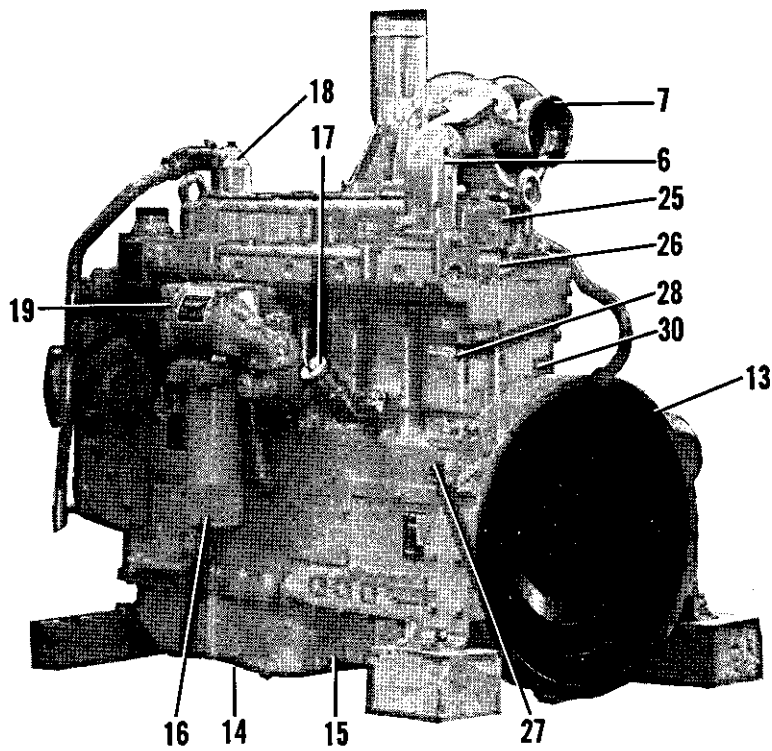
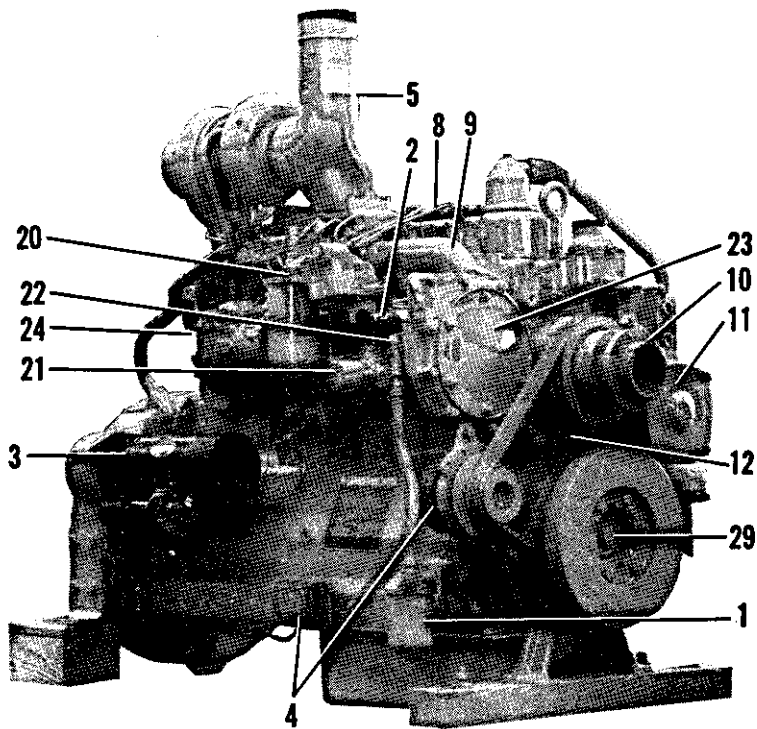


Figure 21. Diesel engine assembly

FIG. & INDEX NO.	PART NUMBER	DESCRIPTION							UNITS PER ASSY	USABLE ON CODE
		1	2	3	4	5	6	7		
21-	DV39-3306(T)	ENGINE ASSEMBLY, Diesel (11083) (see figure 1-39 for NHA) .....							REF	
-1	3N6007	. FILTER GROUP, Primary fuel (11083) (see figure 22 for details) .....							1	
-2	9H2256	. PUMP, Priming, fuel (11083) (see figure 23 for details) .....							1	
-3	1114706	. MOTOR ASSEMBLY, Starting (16764) (Caterpillar 2S900) (see .....							1	
		figure 24 for details)								
-4	5R3162	. ALTERNATOR AND REGULATOR MOUNTING GROUP (11083) ....							1	
		(see figure 25 for details)								
-5	NO NUMBER	. EXHAUST GROUP, Engine (11083) (see figure 27 for details) .....							1	
-6	NO NUMBER	. INTAKE ELBOW GROUP, Engine (11083) (see figure 28 for details) ....							1	
-7	NO NUMBER	. TURBOCHARGER AND MOUNTING GROUP (11083) (see figure ....							1	
		29 for details)								
-8	8L5690	. VALVES AND LINES GROUP, Fuel injection (11083) (see figure ....							1	
		30 for details)								
-9	2P6574	. MANIFOLD GROUP, Exhaust (11083) (see figure 31 for details) .....							1	
-10	5R3153	. FAN DRIVE GROUP, and fan belts (11083) (see figure 32 for details)....							1	
-11	2P662	. PUMP GROUP, Water (11083) (see figure 33 for details) .....							1	
-12	NO NUMBER	. TIMING COVER AND FRONT MOUNTING GROUP (11083) .....							1	
		(see figure 34 for details)								
-13	NO NUMBER	. FLYWHEEL, FLYWHEEL HOUSING AND REAR MOUNTING .....							1	
		GROUP (11083) (see figure 35 for details)								
-14	NO NUMBER	. PAN GROUP, Oil (11083) (see figure 36 for details) .....							1	
-15	NO NUMBER	. PUMP GROUP, Oil (11083) (see figure 37 for details).....							1	
-16	2P6475	. FILTER GROUP, Engine oil, and mounting (11083) (see figure 38 ....							1	
		for details)								
-17	5R3151	. FILLER, Engine oil, and mounting (11083) (see figure 39 for details) ....							1	
-18	NO NUMBER	. BREATHER, Valve cover, and mounting group (11083) (see .....							1	
		figure 40 for details)								
-19	NO NUMBER	. COOLER, Oil, and mounting group (11083) (see figure 41 for details) ....							1	
-20	7L261	. FILTER, Fuel, and priming tank group (11083) (see figure 42 for .....							1	
		details)								
-21	NO NUMBER	. SERVICE METER AND TACHOMETER DRIVE (11083) (see .....							1	
		figure 44 for details)								
-22	7L247	. PUMP, Fuel transfer (11083) (see figure 45 for details) .....							1	
-23	NO NUMBER	. DRIVE GROUP, Accessory (11083) (see figure 46 for details) .....							1	
-24	NO NUMBER	. GOVERNOR ASSEMBLY AND FUEL INJECTION PUMP (11083) ....							1	
		(see figure 47 for details)								
-25	NO NUMBER	. VALVE COVER GROUP, And glow plug wiring (11083) (see .....							1	
		figure 48 for details)								
-26	NO NUMBER	. VALVE MECHANISM, And cylinder head group (11083) (see .....							1	
		figure 49 for details)								
-27	2P6202	. CAMSHAFT GROUP (11083) (see figure 50 for details) .....							1	
-28	2P6272	. PISTON ASSEMBLY, And connecting rod (11083) (see figure .....							6	
		51 for details)								
-29	NO NUMBER	. CRANKSHAFT GROUP (11083) (see figure 52 for details) .....							1	
-30	NO NUMBER	. CYLINDER BLOCK ASSEMBLY, And timing gear plate group (11083) ..							1	
		(see figure 53 for details)								

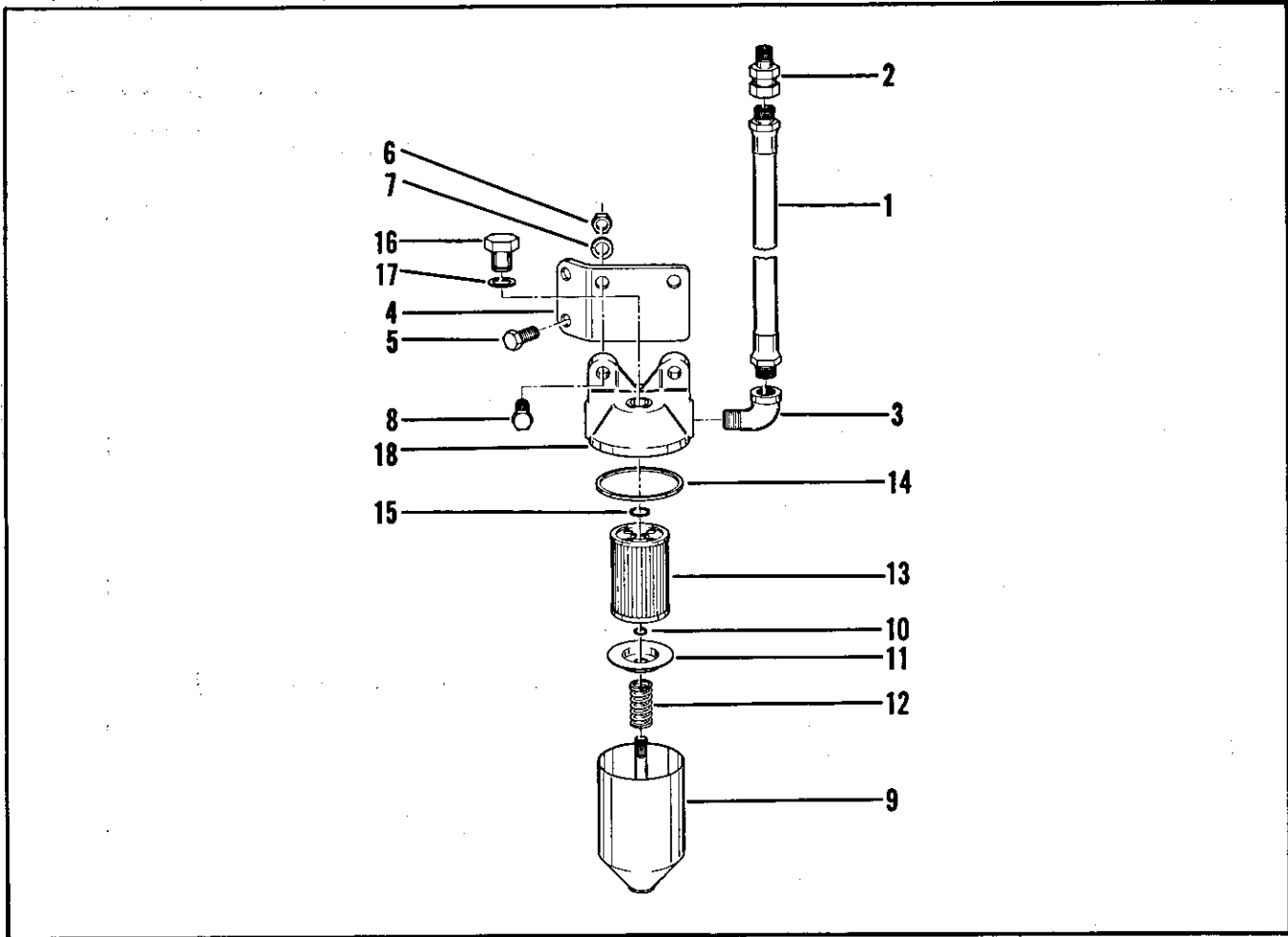


Figure 22. Primary fuel filter group

FIG. & INDEX NO.	PART NUMBER	DESCRIPTION	UNITS	USABLE
			PER ASSY	ON CODE
22-	3N6007	FILTER GROUP, Primary fuel (11083) (see figure 21-1 for NHA) .....	REF	
-1	7D5143	. HOSE ASSEMBLY (11083) .....	1	
-2	3L7055	. UNION (11083) .....	1	
-3	4B6067	. ELBOW (11083) .....	1	
-4	3N6006	. BRACKET (11083) .....	1	
-5	2P3203	. SCREW, Cap, hex hd (AP) (11083) .....	2	
-6	1D4717	. NUT, Hex (AP) (11083) .....	2	
-7	5M2894	. WASHER, Lock, split (AP) (11083) .....	2	
-8	2P3204	. SCREW, Cap, hex hd (AP) (11083) .....	2	
	8H4881	. FILTER ASSEMBLY (11083) .....	1	
-9	8H2810	. CASE ASSEMBLY (11083) .....	1	
-10	2H3429	. RING, Retaining (11083) .....	1	
-11	7H9678	. RETAINER (11083) .....	1	
-12	7S9323	. SPRING (11083) .....	1	
-13	9M2341	. ELEMENT (11083) .....	1	
-14	8H2778	. GASKET (11083) .....	1	
-15	1L3769	. RING, Retaining (11083) .....	1	
-16	8H2807	. NUT (11083) .....	1	
-17	2A1162	. GASKET (11083) .....	1	
-18	7H9680	. COVER, Filter (11083) .....	1	



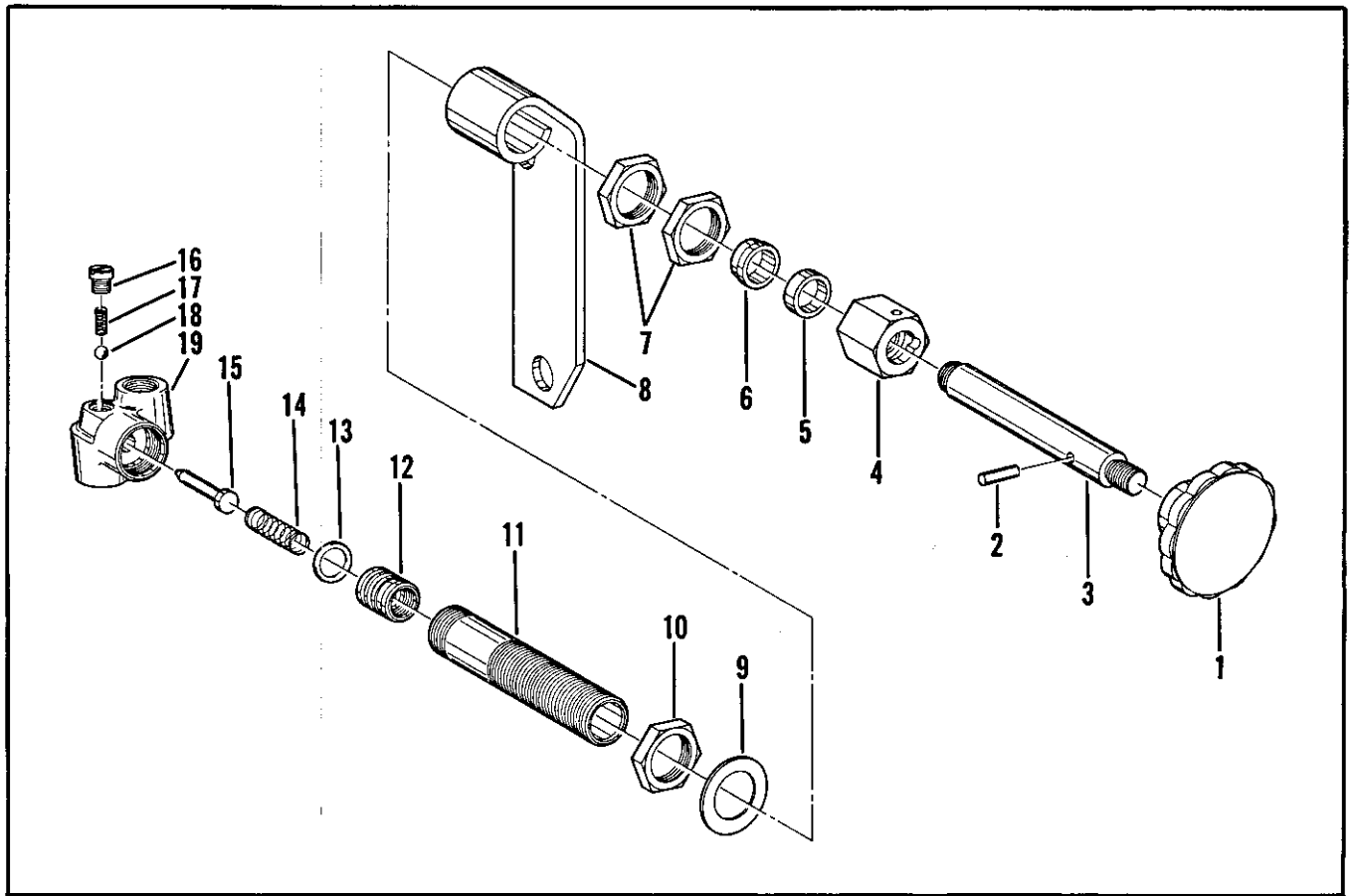


Figure 23. Fuel priming pump

FIG. & INDEX NO.	PART NUMBER	DESCRIPTION	UNITS	USABLE
			PER ASSY	ON CODE
23-	9H2256	PUMP, Fuel priming (11083) (see figure 21-2 for NHA) .....	REF	
	9S3820	. ROD ASSEMBLY, Fuel priming pump (11083) .....	1	
-1	1M6782	. . KNOB, Rod assembly (11083) .....	1	
-2	9S3819	. . PIN, Rod assembly (AP) (11083) .....	1	
-3	1M6783	. . ROD, Rod assembly (11083) .....	1	
-4	9S3818	. NUT, Fuel priming pump (11083) .....	1	
-5	2S8145	. SEAL, Fuel priming pump (11083) .....	1	
-6	1M6784	. GUIDE, Fuel priming pump (11083) .....	1	
-7	1M6781	. NUT, Lock, fuel priming pump (11083) .....	2	
-8	7L436	. SUPPORT, Fuel priming pump (11083) .....	1	
-9	1M6735	. WASHER, Fuel priming pump (11083) .....	1	
-10	1M6781	. NUT, Lock, fuel priming pump (11083) .....	1	
-11	1M6779	. BARREL, Fuel priming pump (11083) .....	1	
-12	1M6788	. NUT, Fuel priming pump (11083) .....	1	
-13	1H1023	. PACKING, Preformed, fuel priming pump (11083) .....	2	
-14	9S3817	. SPRING, Fuel priming pump (11083) .....	1	
-15	1M6786	. PIN, Fuel priming pump (11083) .....	1	
-16	1M6789	. RETAINER, Fuel priming pump (11083) .....	2	
-17	1M6780	. SPRING, Fuel priming pump (11083) .....	2	
-18	1M6718	. BALL, Fuel priming pump (11083) .....	2	
-19	1M6778	. BODY, Fuel priming pump (11083) .....	1	

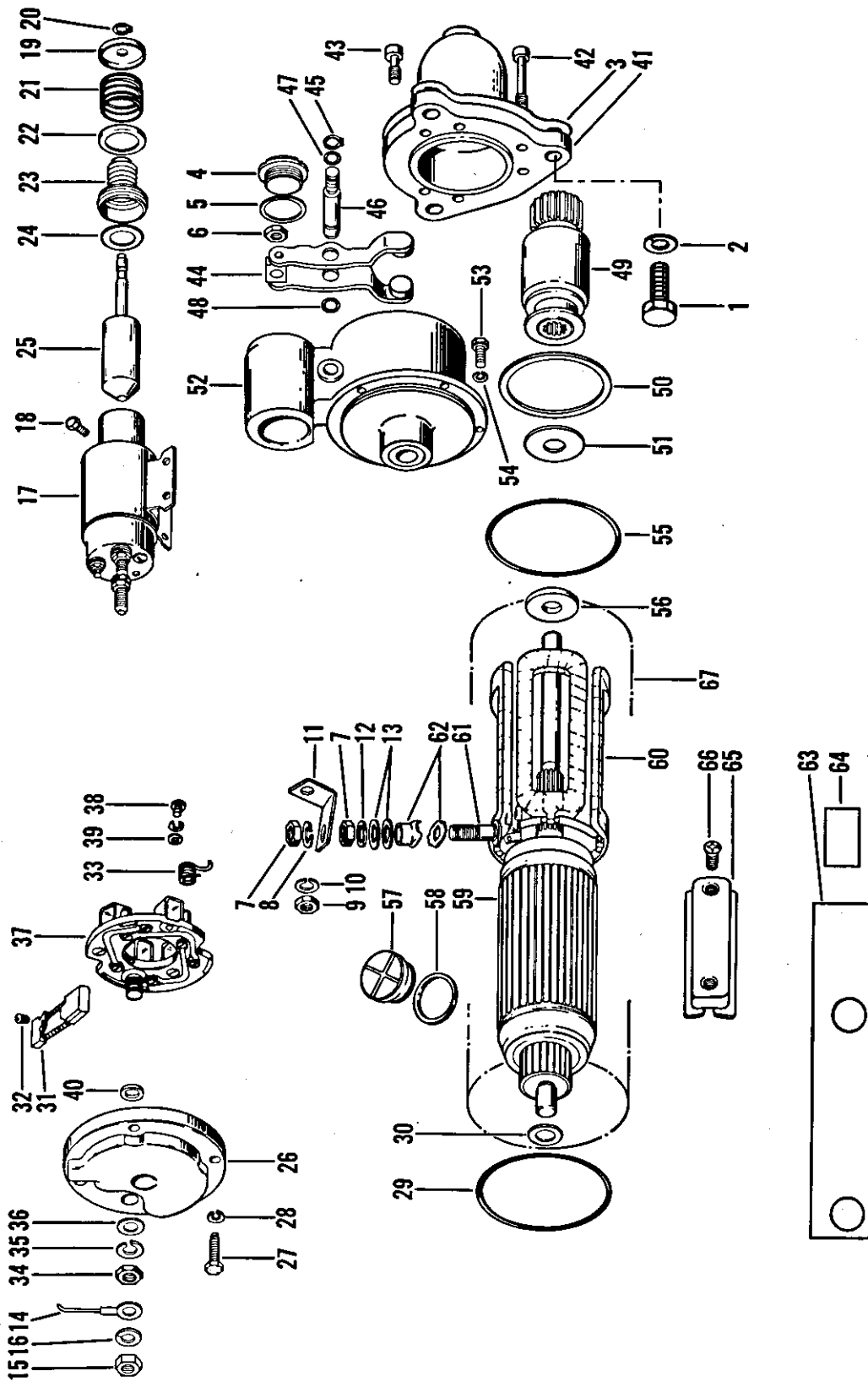


Figure 24. Starting motor assembly

FIG. & INDEX NO.	PART NUMBER	DESCRIPTION	1	2	3	4	5	6	7	UNITS	USABLE
										PER ASSY	ON CODE
24-	1114706	MOTOR ASSEMBLY, Starting (16764) (see figure 21-3 for NHA) .....								REF	
-1	S1589	. SCREW, Cap, hex hd (AP) (11083) .....								3	
-2	3B4510	. WASHER, Lock, split (AP) (11083) .....								3	
-3	4H7869	. GASKET (11083) .....								1	
-4	1945356	. PLUG, Lever inspection (16764) .....								1	
-5	1964857	. GASKET, Plug (16764) .....								1	
-6	9412305	. NUT, Plunger rod (16764) .....								1	
-7	9414418	. NUT, Terminal stud (16764) .....								2	
-8	9421427	. WASHER, Lock, split (16764) .....								1	
-9	3H3681	. NUT, Terminal (11083) .....								2	
-10	3B4508	. WASHER, Lock, split (11083) .....								2	
-11	1945468	. CONNECTOR (16764) .....								1	
-12	1914647	. WASHER, Plain (16764) .....								1	
-13	1922457	. WASHER, Insulating (16764) .....								2	
-14	4M1849	. LEAD ASSEMBLY (11083) .....								1	
-15	9413509	. NUT, Terminal (AP) (16764) .....								1	
-16	9421425	. WASHER, Lock, split (AP) (16764) .....								1	
-17	1119848	. SWITCH ASSEMBLY (16764) .....								1	
-18	1930611	. SCREW AND WASHER (AP) (16764) .....								4	
-19	4M1827	. RETAINER, Spring (11083) .....								1	
-20	9415235	. RING, Retaining (AP) (16764) .....								1	
-21	1948521	. SPRING, Shift lever (16764) .....								1	
-22	1942256	. RETAINER, Spring (16764) .....								1	
-23	801077	. BOOT, Plunger (16764) .....								1	
-24	1948519	. WASHER, Boot (16764) .....								1	
-25	1948522	. PLUNGER (16764) .....								1	
-26	1951073	. FRAME, Commutator end (16764) .....								1	
-27	1914869	. SCREW, Cap, hex hd (AP) (16764) .....								4	
-28	9421423	. WASHER, Lock, split (AP) (16764) .....								4	
	9427882	. PLUG, Pipe (16764) (not shown) .....								1	
	1916439	. WICK, Frame (16764) (not shown) .....								1	
-29	1916272	. PACKING, Preformed, o-ring (16764) .....								1	
-30	1914842	. WASHER, Spacer (16764) .....								1	
-31	1906986	. BRUSH ASSY (16764) .....								8	
-32	453418	. SCREW, Brush (AP) (16764) .....								8	
-33	1861785	. SPRING, Brush (16764) .....								8	
-34	9414418	. NUT, Terminal stud (16764) .....								1	
-35	9411425	. WASHER, Lock, split (16764) .....								1	
-36	1914647	. WASHER, Plain (16764) .....								1	
-37	1948515	. PLATE ASSY, Brush (16764) (includes brush springs 1861785) .....								1	
-38	1847807	. SCREW AND WASHER (AP) (16764) .....								3	
-39	1914647	. WASHER, Plain (AP) (16764) .....								3	
-40	1851632	. INSULATOR PKG, Terminal (16764) .....								1	
-41	1970454	. HOUSING, Drive (16764) .....								1	
-42	1948536	. SCREW, Soc hd (AP) (16764) .....								5	
-43	1948537	. SCREW, Soc hd (AP) (16764) .....								1	
	1942258	. BUSHING, Housing (16764) (not shown) .....								1	
	9427882	. PLUG, Pipe (16764) (not shown) .....								1	
	1916439	. WICK, Housing (16764) (not shown) .....								1	
-44	1945484	. LEVER, Shift (16764) .....								1	
-45	9415235	. RING, Retaining (AP) (16764) .....								1	
-46	1948529	. SHAFT, Lever (AP) (16764) .....								1	
-47	1921805	. PACKING, Preformed, o-ring (16764) .....								1	
-48	1914373	. PACKING, Preformed, o-ring (16764) .....								1	
-49	800068	. DRIVE ASSEMBLY (16764) .....								1	
-50	1945476	. GASKET (16764) .....								1	
-51	1911644	. WASHER, Brake (16764) .....								1	
-52	1947262	. HOUSING, Lever (16764) .....								1	

FIG. & INDEX NO.	PART NUMBER	DESCRIPTION	UNITS PER ASSY							USABLE ON CODE	
			1	2	3	4	5	6	7		
24-53	1914869	. SCREW, Cap, hex hd (AP) (16764) .....								4	
-54	9421423	. WASHER, Lock, split (AP) (16764) .....								4	
	1923484	. . BUSHING, Housing (16764) (not shown) .....								1	
	9427882	. . PLUG, Pipe (16764) (not shown) .....								1	
	1916439	. . WICK, Housing (16764) (not shown) .....								1	
	1918047	. . SEAL, Oil, housing (16764) (not shown) .....								1	
-55	1916272	. PACKING, Preformed, o-ring (16764) .....								1	
-56	1936466	. WASHER, Spacer (16764) .....								1	
-57	1945356	. PLUG, Inspection (16764) .....								1	
-58	1964857	. GASKET, Plug (16764) .....								1	
-59	1945500	. ARMATURE (16764) .....								1	
-60	1945496	. FIELD COIL ASSEMBLY (16764) .....								1	
-61	1950561	. . STUD, Terminal (16764) .....								1	
-62	1965472	. BUSHING PACKAGE, Field terminal stud (16764) .....								1	
-63	1955990	. INSULATOR, Field coil (16764) .....								1	
-64	1914873	. INSULATOR, Field coil, triangle (16764) .....								1	
-65	1934478	. SHOE, Pole (16764) .....								4	
-66	1968396	. SCREW AND WASHER (AP) (16764) .....								8	
-67	NO NUMBER	. FRAME (16764) (not serviced) .....								1	

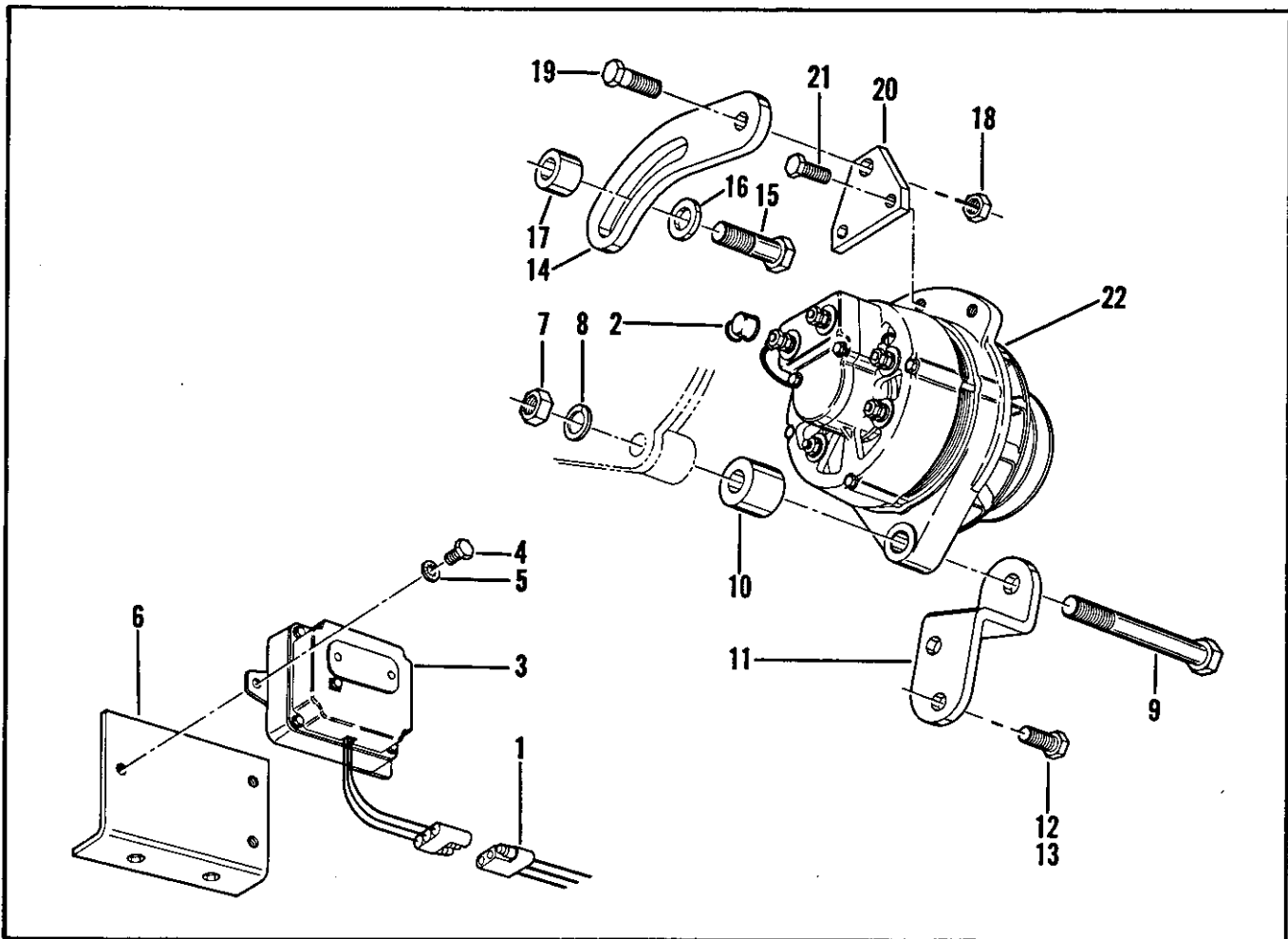


Figure 25. Alternator and regulator mounting group

FIG. & INDEX NO.	PART NUMBER	DESCRIPTION 1 2 3 4 5 6 7	UNITS	USABLE
			PER ASSY	ON CODE
25-	5R3162	ALTERNATOR AND REGULATOR MOUNTING GROUP (11083) .....	REF	
		(see figure 21-4 for NHA)		
-1	30C44234B04	. WIRE HARNESS ASSEMBLY (80211) .....	1	
-2	B2739	. COVER, Connection (79497) .....	2	
-3	70C44618B	. REGULATOR ASSEMBLY, Model TVR24-29C (80211) .....	1	
-4	6F7027	. SCREW, Cap, hex hd (AP) (11083) .....	3	
-5	COML	. WASHER, Lock, split, 1/4 in. (AP) .....	3	
-6	8L5451	. BRACKET, Regulator (11083) .....	1	
-7	1D4719	. NUT (11083) .....	1	
-8	2M849	. WASHER (11083) .....	1	
-9	2B2006	. SCREW, Cap, hex hd (11083) .....	1	
-10	2S1940	. SPACER (11083) .....	1	
-11	3N6980	. BRACKET (11083) .....	1	
-12	2P3208	. SCREW, Cap, hex hd (AP) (11083) .....	1	
-13	2P3200	. SCREW, Cap, hex hd (AP) (11083) .....	1	
-14	8S4182	. STRAP, Adjusting (11083) .....	1	
-15	S1587	. SCREW, Cap, hex hd (AP) (11083) .....	1	
-16	2M849	. WASHER (AP) (11083) .....	1	
-17	1M1993	. SPACER (11083) .....	1	
-18	1D4719	. NUT (AP) (11083) .....	1	
-19	7B3235	. SCREW, Cap, hex hd (AP) (11083) .....	1	
-20	3N2704	. PLATE, Mounting (11083) .....	1	
-21	S1618	. SCREW, Cap, hex hd (AP) (11083) .....	2	
-22	70D44422C02	. ALTERNATOR ASSEMBLY (80211) (See figure 26 for details) .....	1	

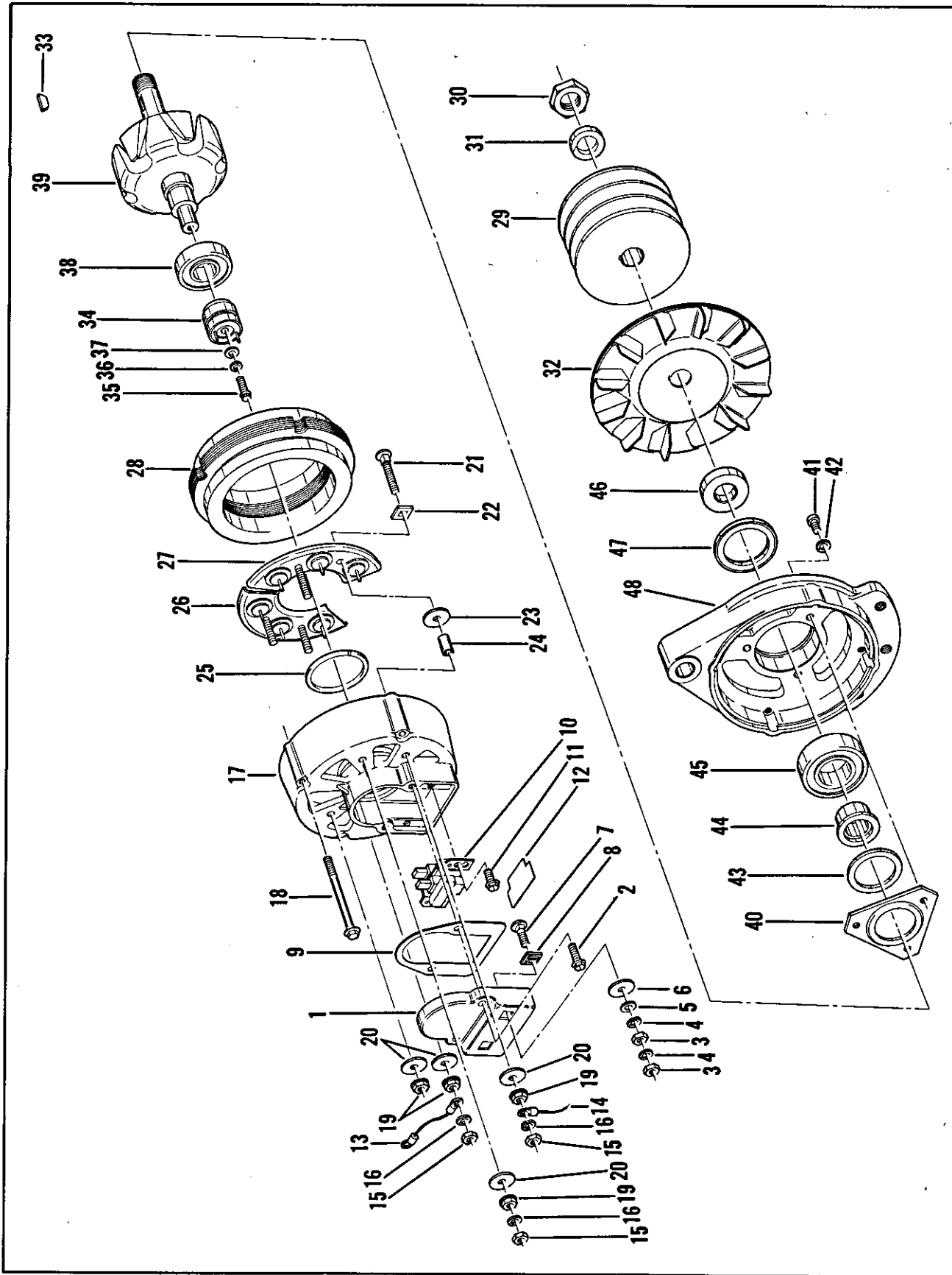


Figure 26. Alternator assembly

FIG. & INDEX NO.	PART NUMBER	DESCRIPTION	UNITS PER ASSY	USABLE ON CODE
26-	70D44422C02	ALTERNATOR ASSEMBLY, Model 8MH3005F (80211) (see figure ..... 25-22 for NHA)	REF	
-1	14-45	. COVER, Brush assembly (80211) .....	1	
-2	20-117	. SCREW, Tapping, hex hd, no. 8 x 3/4 in. lg (AP) (80211) .....	2	
-3	20-148	. NUT, Hex, no. 10-24NC (80211) .....	4	
-4	20-111	. WASHER, Lock, split (80211) .....	4	
-5	20-120	. WASHER, Flat, no. 10 stud, 7/16 in. OD (80211).....	2	
-6	15-3	. INSULATOR, Washer, no. 10 stud, 3/4 in. OD (80211) .....	2	
-7	20-135	. BOLT, Carriage, no. 10-24NC x 3/4 in. lg (80211) .....	2	
-8	15-7	. INSULATOR, Molded, square (80211) .....	2	
-9	3-14	. GASKET, Cover, felt (80211) .....	1	
-10	3-12	. BRUSH ASSEMBLY (80211) .....	1	
-11	20-116	. SCREW, Tapping, hex hd, no. 8 x 1/2 in. lg (80211) .....	2	
-12	15-18	. INSULATOR, Cut sheet, brush shunt leads (80211) .....	1	
-13	16-88	. CABLE, Ground (80211) .....	1	
-14	16-58	. CABLE, Tach (80211) .....	1	
-15	20-119	. NUT, No. 10-24NC (AP) (80211) .....	3	
-16	20-111	. WASHER, Lock, split, no. 10 (AP) (80211) .....	3	
-17	14-31	. HOUSING, Rear (80211) .....	1	
-18	20-143	. SCREW, Machine, hex hd, no. 10-32 x 3-1/8 in. lg (AP) (80211) .....	4	
-19	20-148	. NUT, Lock, hex, no. 10-24 (AP) (80211) .....	4	
-20	15-3	. INSULATOR, Washer, no. 10 stud, 3/4 in. OD (AP) (80211) .....	4	
-21	20-151	. BOLT, Carriage, no. 10-24 x 1-1/2 in. lg (AP) (80211) .....	4	
-22	15-7	. INSULATOR, Molded, square (80211) .....	1	
-23	15-4	. INSULATOR, No. 10 stud, 1/2 in. OD (80211) .....	1	
-24	15-1	. INSULATOR, Sleeve, plastic, no. 10 stud, 19/32 in. lg (80211) .....	1	
-25	11-26	. RETAINER, Rear bearing (80211) .....	1	
-26	1-20	. DIODE ASSEMBLY, Negative (80211) .....	1	
-27	1-67	. DIODE ASSEMBLY, Positive (80211) .....	1	
-28	13-5	. STATOR ASSEMBLY (80211) .....	1	
-29	8L4529	. PULLEY (11083) .....	1	
-30	20-136	. NUT, Hex, 5/8-18NF (AP) (80211) .....	1	
-31	20-137	. WASHER, Lock, split, 5/8 in. (AP) (80211) .....	1	
-32	7-44	. FAN (80211) .....	1	
-33	20-7	. KEY, Woodruff no. 5 (AP) (80211) .....	1	
	12-20	. ROTOR ASSEMBLY (80211) .....	1	
-34	12-22	. . SLIP RING ASSEMBLY (80211) .....	1	
-35	20-56	. . SCREW, Cap, soc hd, no. 10-32 x 5/8 in. lg (AP) (80211) .....	1	
-36	20-111	. . WASHER, Lock, split, no. 10 (AP) (80211).....	1	
-37	20-177	. . WASHER, Flat, no. 10 stud, 5/16 in. OD (80211) .....	1	
	15-25	. . INSULATOR, Cut ring, 1/4 in. OD (not shown) (80211) .....	1	
-38	11-21	. . BEARING, Rear (80211) .....	1	
-39	NO NUMBER	. . ROTOR (80211) (not serviced) .....	1	
-40	11-33	. RETAINER, Front bearing (80211) .....	1	
-41	20-141	. SCREW, Machine, cross hd, no. 8 x 3/4 in. lg (AP) (80211) .....	3	
-42	20-142	. WASHER, Lock, split, no. 8 (AP) (80211) .....	3	
-43	11-18	. WASHER, Felt, front bearing seal (80211) .....	1	
-44	20-89	. SLEEVE, Front bearing (80211) .....	1	
-45	11-40	. BEARING, Front (80211) .....	1	
-46	20-14	. SPACER (80211) .....	1	
-47	11-18	. SEAL, Front bearing (80211) .....	1	
-48	14-44	. HOUSING, Front (80211) .....	1	

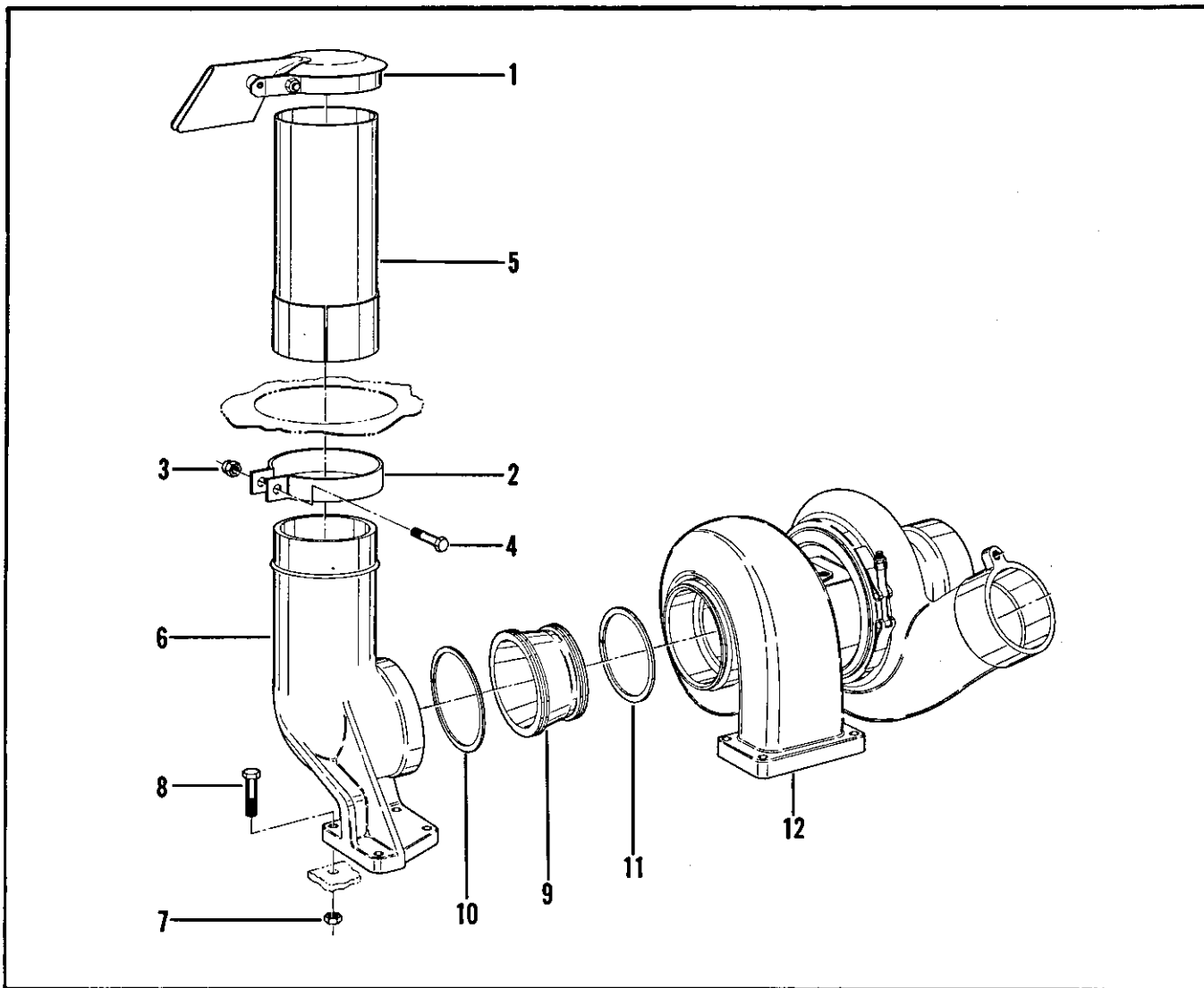


Figure 27. Engine exhaust group

FIG. & INDEX NO.	PART NUMBER	DESCRIPTION	UNITS PER ASSY							USABLE ON CODE	
			1	2	3	4	5	6	7		
27-	NO NUMBER	EXHAUST GROUP, Engine (11083) (see figure 21-5 for NHA) .....								REF	
-1	63546	. CAP, Rain (see figure 1-10 for NHA) .....								REF	
-2	63550	. CLAMP, Extension (see figure 1-20 for NHA) .....								REF	
-3	COML	. NUT, Lock (AP) (see figure F1-20 for NHA) .....								REF	
-4	COML	. SCREW, Cap (AP) (see figure F1-20 for NHA) .....								REF	
-5	63545	. EXTENSION, Exhaust (see figure 1-21 for NHA) .....								REF	
-6	3S5017	. ELBOW, Exhaust (11083) .....								1	
-7	1B5355	. NUT, Hex (AP) (11083) .....								4	
-8	S1571	. SCREW, Cap, hex hd (AP) (11083) .....								4	
-9	3S6263	. COUPLING, Turbocharger (11083) .....								1	
-10	5L8855	. RING, Seal (11083) .....								1	
-11	2S5301	. RING, Seal (11083) .....								1	
-12	9L4651	. TURBOCHARGER (See figure 29 for details) .....								REF	



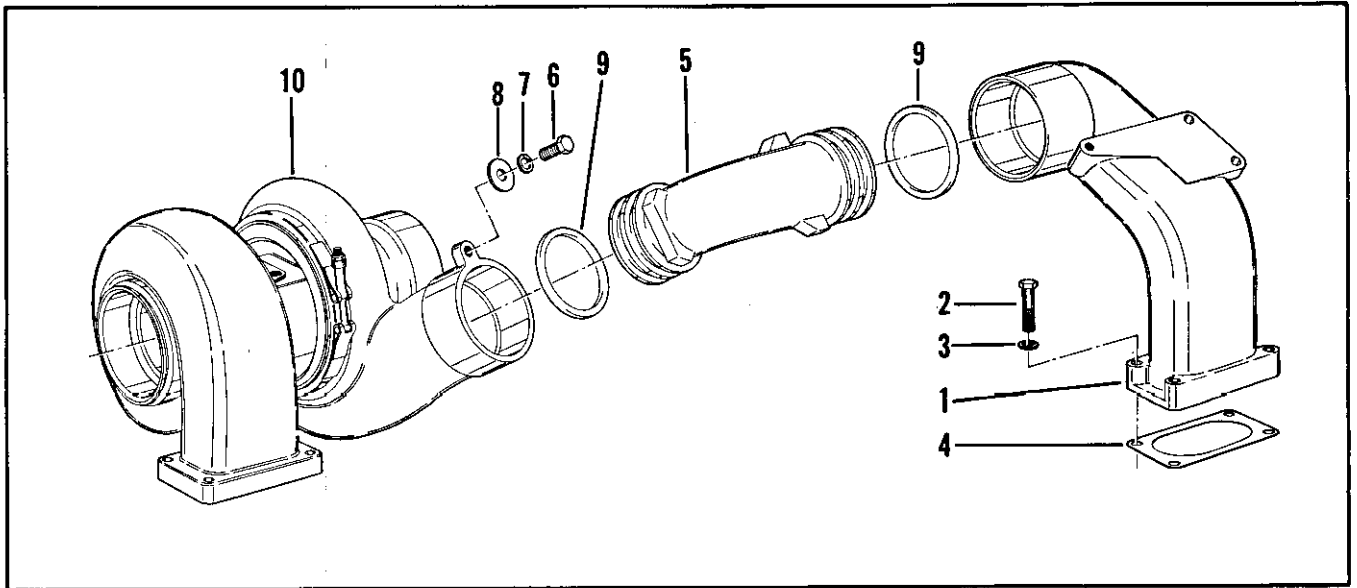


Figure 28. Engine intake elbow group

FIG. & INDEX NO.	PART NUMBER	DESCRIPTION	UNITS PER ASSY	USABLE ON CODE		
					1	2
28-	NO NUMBER	INTAKE ELBOW GROUP, Engine (11083) (see figure 21-6 for NHA) .....	REF			
-1	3S8432	. ELBOW, Intake (11083) .....	1			
-2	S1571	. SCREW, Cap, hex hd (AP) (11083) .....	4			
-3	3B4506	. WASHER, Lock, split (AP) (11083) .....	4			
-4	5S6735	. GASKET, Elbow (11083) .....	1			
-5	5S1293	. ELBOW, Turbocharger (11083) .....	1			
-6	L1351	. SCREW, Cap, hex hd (AP) (11083) .....	1			
-7	3B4506	. WASHER, Lock, split (AP) (11083) .....	1			
-8	3F1417	. WASHER, Flat (AP) (11083) .....	1			
-9	4L8337	. SEAL, Elbow (11083) .....	4			
-10	9L4651	. TURBOCHARGER (11083) (see figure 29 for details) .....	REF			

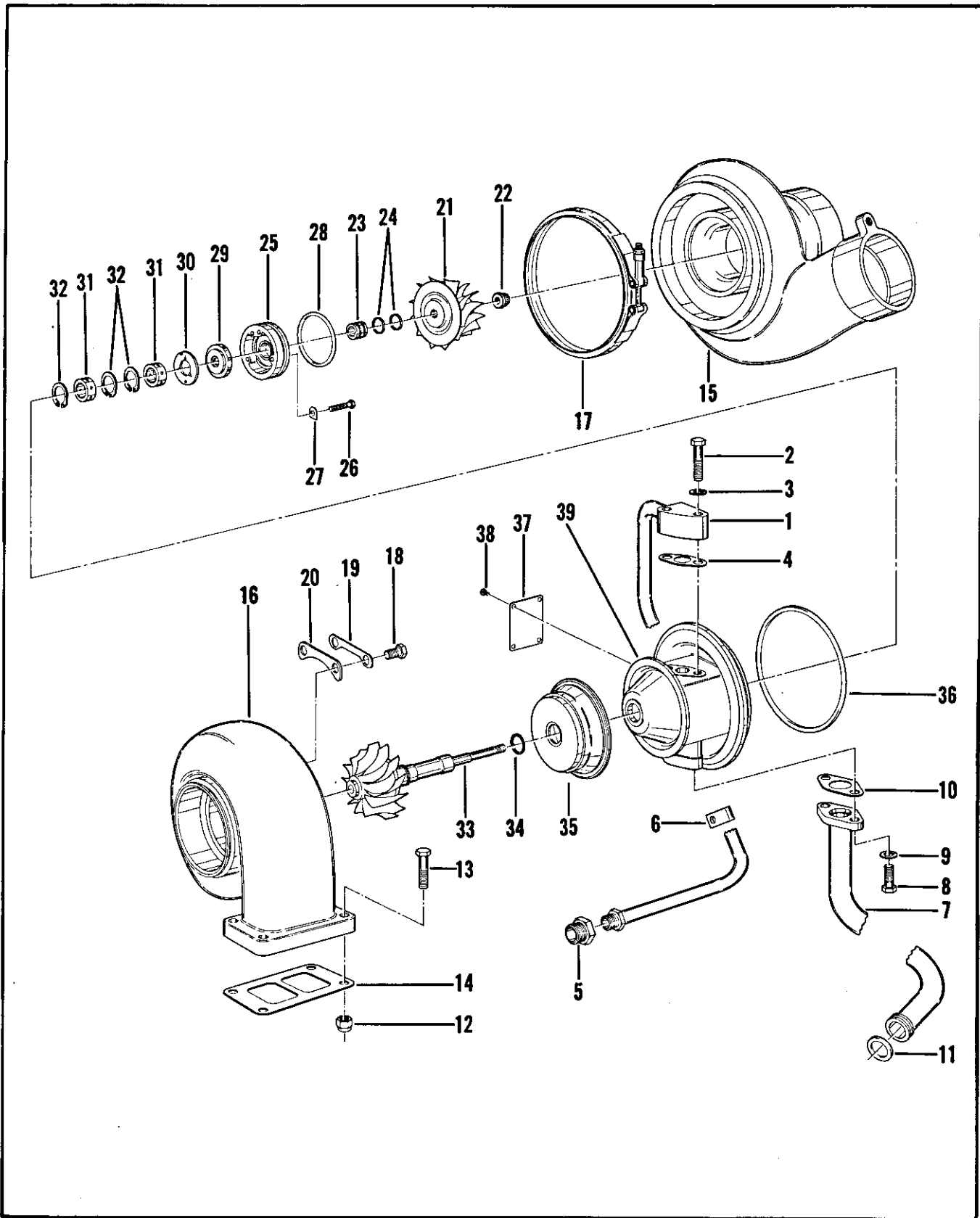


Figure 29. Turbocharger and mounting group

FIG. & INDEX NO.	PART NUMBER	DESCRIPTION 1 2 3 4 5 6 7	UNITS	USABLE
			PER ASSY	ON CODE
29-	NO NUMBER	TURBOCHARGER AND MOUNTING GROUP (11083) (see figure ..... 21-7 for NHA)	REF	
-1	3N4068	. TUBE ASSEMBLY (11083) .....	1	
-2	S1571	. SCREW, Cap, hex hd (AP) (11083) .....	2	
-3	3B4506	. WASHER, Lock, split (AP) (11083) .....	2	
-4	7H3270	. GASKET, Flange (11083).....	1	
-5	6K8079	. CONNECTOR (11083) .....	1	
-6	4B9302	. CLIP, Tube (11083) .....	1	
-7	1N8366	. TUBE ASSEMBLY (11083) .....	1	
-8	S1594	. SCREW, Cap, hex hd (AP) (11083) .....	2	
-9	3B4506	. WASHER, Lock, split (AP) (11083) .....	2	
-10	1S4810	. GASKET, Flange (11083) .....	1	
-11	9H6067	. SEAL, Tube (11083) .....	1	
	9L4651	. TURBOCHARGER ASSEMBLY (11083) .....	1	
-12	8M2296	. NUT, Hex (AP) (11083) .....	4	
-13	8M2295	. SCREW, Cap, hex hd (AP) (11083) .....	4	
-14	1S4295	. GASKET, Turbocharger (11083) .....	1	
-15	8S5166	. HOUSING ASSEMBLY, Compressor (11083) .....	1	
-16	8S5165	. HOUSING, Turbine (11083) .....	1	
-17	3S5129	. CLAMP ASSEMBLY (AP) (11083) .....	1	
	8S6832	. CARTRIDGE ASSEMBLY (11083) .....	1	
-18	3S5126	. SCREW, Cap, hex hd (AP) (11083) .....	6	
-19	3S5128	. PLATE, Lock (AP) (11083) .....	3	
-20	3S5127	. PLATE (AP) (11083) .....	3	
-21	8S5168	. WHEEL, Compressor (11083) .....	1	
-22	3S4484	. NUT, Wheel (AP) (11083) .....	1	
-23	8S8043	. SPACER, Thrust (11083) .....	1	
-24	*9M8919	. RING, Seal (11083) .....	2	
-25	8S5169	. PLATE ASSEMBLY (11083) .....	1	
-26	3S4488	. SCREW, Machine (AP) (11083) .....	3	
-27	3S4487	. PLATE, Lock (AP) (11083) .....	3	
-28	*3S4489	. SEAL (11083) .....	1	
-29	*8S8042	. COLLAR, Thrust (11083) .....	1	
-30	*9M8917	. WASHER, Thrust (11083) .....	1	
-31	9M8916	. BEARING, Sleeve (11083) .....	2	
-32	*9M8915	. RING, Retaining (11083) .....	3	
-33	8S5167	. SHAFT AND WHEEL ASSY (11083) .....	1	
-34	*9S8012	. RING, Shaft (11083) .....	1	
-35	9S9327	. SHROUD, Turbine (11083) .....	1	
-36	*3S5135	. SEAL (11083) .....	1	
-37	8S8096	. PLATE, Identification (11083) .....	1	
-38	2F808	. SCREW, Drive (AP) (11083) .....	2	
-39	4S9702	. HOUSING ASSY, Center (11083) .....	1	
	5R511	KIT, Repair, turbocharger (11083) .....	1	

\* Component of kit no. 5R511

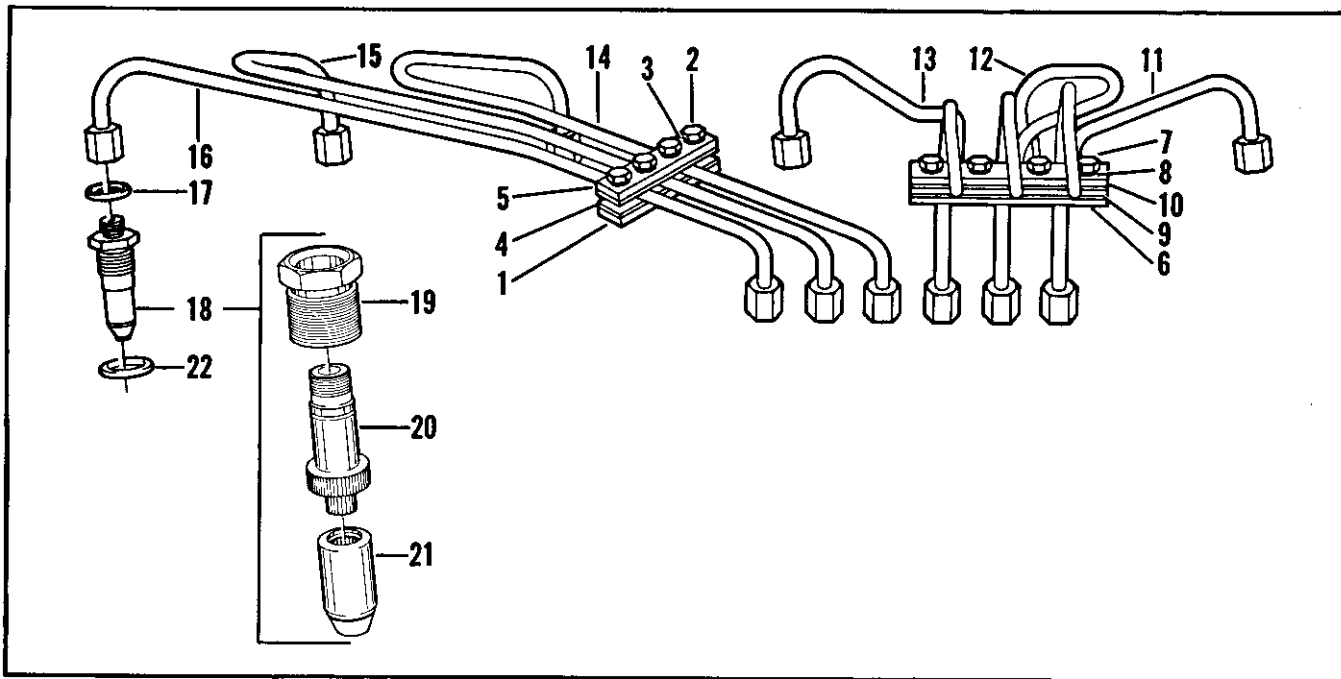


Figure 30. Fuel injection valves and lines group

FIG. & INDEX NO.	PART NUMBER	DESCRIPTION	UNITS PER ASSY							USABLE ON CODE	
			1	2	3	4	5	6	7		
30-	8L5690	VALVES AND LINES GROUP, Fuel injection (11083) (see figure ..... 21-8 for NHA)								REF	
-1	8S3998	. CLAMP, Fuel lines (11083) .....								1	
-2	1B2790	. SCREW, Cap, hex hd (AP) (11083) .....								4	
-3	3B4505	. WASHER, Lock, split (AP) (11083) .....								4	
-4	8S4000	. DAMPER, Fuel lines (11083) .....								2	
-5	8S3999	. CLAMP, Fuel lines (11083) .....								1	
-6	8S4003	. CLAMP, Fuel lines (11083) .....								1	
-7	1B2790	. SCREW, Cap, hex hd (AP) (11083) .....								4	
-8	3B4505	. WASHER, Lock, split (AP) (11083) .....								4	
-9	8S4005	. DAMPER, Fuel lines (11083) .....								2	
-10	8S4004	. CLAMP, Fuel lines (11083) .....								1	
-11	8L5691	. LINE ASSY, Fuel, no. 1 cyl (11083) .....								1	
-12	8L5692	. LINE ASSY, Fuel, no. 2 cyl (11083) .....								1	
-13	8L5693	. LINE ASSY, Fuel, no. 3 cyl (11083) .....								1	
-14	8L5694	. LINE ASSY, Fuel, no. 4 cyl (11083) .....								1	
-15	8L5695	. LINE ASSY, Fuel, no. 5 cyl (11083) .....								1	
-16	8L5696	. LINE ASSY, Fuel, no. 6 cyl (11083) .....								1	
-17	*6F1069	. SEAL ASSY, Injection valve (11083) .....								6	
-18	7S8731	. VALVE ASSY, Fuel injection (11083) .....								6	
-19	5H7225	. . NUT, Cap (11083) .....								1	
-20	8S2389	. . BODY, Valve (11083) .....								1	
-21	*7S8722	. . NOZZLE ASSY, Valve (11083) .....								1	
-22	*5B3718	. SEAL, Injection valve (11083) .....								1	
	7S9891	KIT, Injection valve service (11083).....								1	

\* Component of kit no. 7S9891

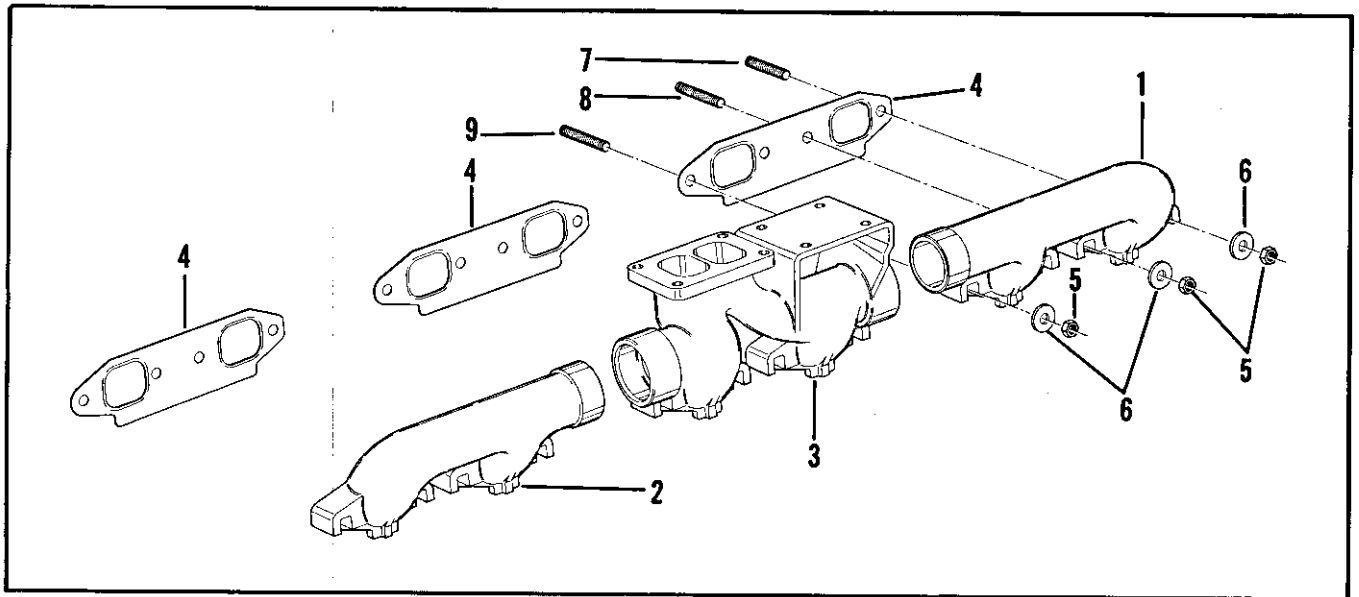


Figure 31. Exhaust manifold group

FIG. & INDEX NO.	PART NUMBER	DESCRIPTION							UNITS PER ASSY	USABLE ON CODE
		1	2	3	4	5	6	7		
31-	2P6574	MANIFOLD GROUP, Exhaust (11083) (see figure 21-9 for NHA) .....							REF	
-1	8S7716	. MANIFOLD, Front (11083) .....							1	
-2	8S7718	. MANIFOLD, Rear (11083) .....							1	
-3	8S7717	. MANIFOLD, Center (11083) .....							1	
-4	8S6410	. GASKET, Manifold (11083) .....							3	
	2P6534	. FASTENER GROUP, Manifold (11083).....							1	
-5	1B5355	. . NUT, Manifold (AP) (11083) .....							12	
-6	8M7145	. . WASHER, Manifold (AP) (11083) .....							12	
-7	8M1871	. . STUD, Manifold (AP) (11083) .....							1	
-8	3M496	. . STUD, Manifold (AP) (11083) .....							2	
-9	7S6719	. . STUD, Manifold (AP) (11083) .....							9	

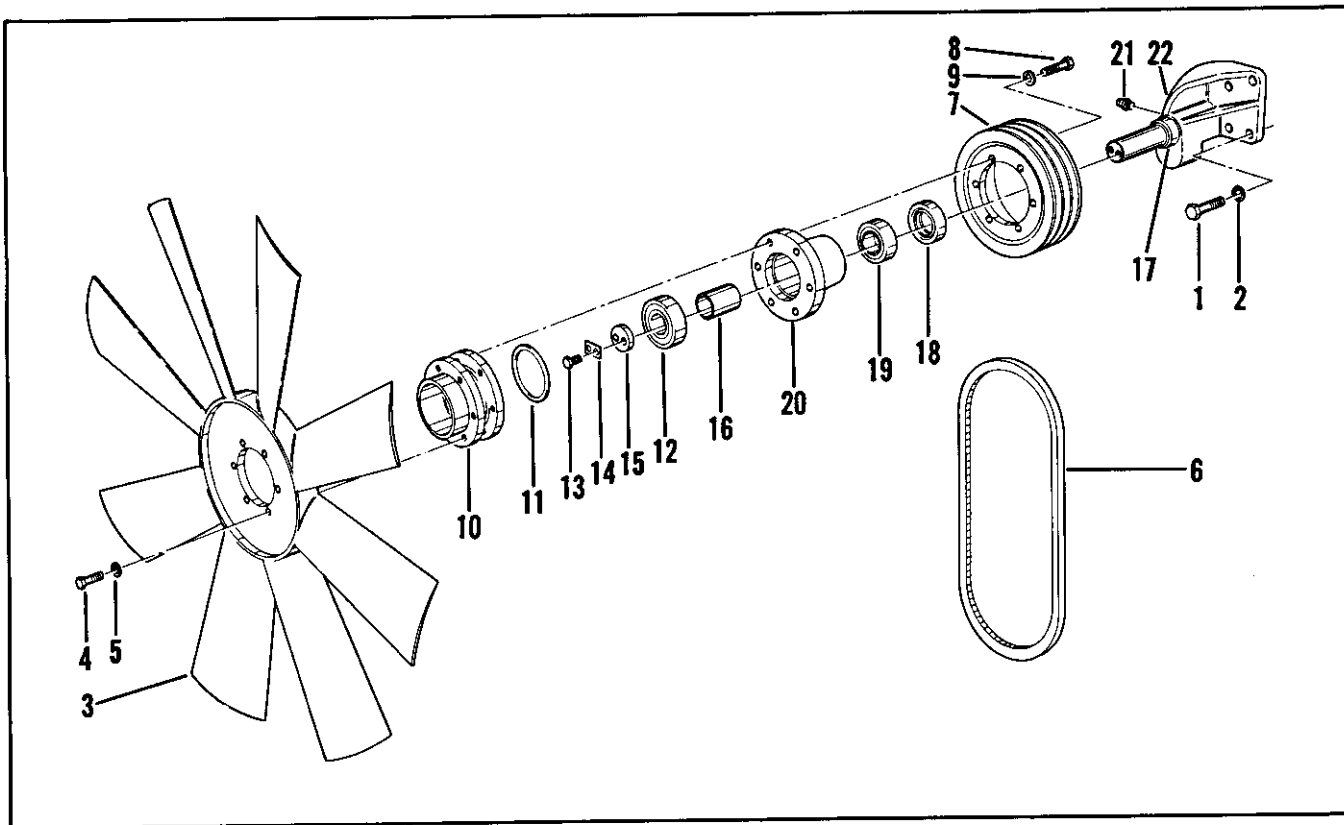


Figure 32. Fan belts and fan drive group

FIG. & INDEX NO.	PART NUMBER	DESCRIPTION	UNITS PER ASSY							USABLE ON CODE	
			1	2	3	4	5	6	7		
32-	5R3153	FAN DRIVE GROUP, and fan belts (11083) (see figure 21-10 for NHA) ....								REF	
-1	7B3235	. . . SCREW, Cap, hex hd (AP) (11083) .....								4	
-2	3B4508	. . . WASHER, Lock, split (AP) (11083) .....								4	
-3	65095	. . . FAN, Cooling .....								1	
-4	COML	. . . SCREW, Cap, hex hd, 5/16-18NC x 1-1/4 in. lg (AP) .....								6	
-5	COML	. . . WASHER, Lock, split, 5/16 in. (AP) .....								6	
-6	3N2756	. . . BELT SET, "V", set of 3 (11083) .....								1	
-7	3N6933	. . . PULLEY, Fan (11083) .....								1	
-8	2P3208	. . . SCREW, Cap, hex hd (AP) (11083) .....								6	
-9	3B4506	. . . WASHER, Lock, split (AP) (11083) .....								6	
-10	4N4680	. . . ADAPTER, Fan (11083) .....								1	
-11	9F4446	. . . SEAL, Adapter (11083) .....								1	
	3N7210	. . . FAN DRIVE GROUP (11083) .....								1	
-12	3L1425	. . . BEARING, Hub (11083) .....								1	
-13	1H5403	. . . SCREW, Cap, hex hd (AP) (11083) .....								2	
-14	2F6156	. . . LOCK, Screw (AP) (11083) .....								1	
-15	5S7264	. . . WASHER, Retaining (AP) (11083) .....								1	
-16	2P2243	. . . SPACER, Bearing (11083).....								1	
-17	5S9062	. . . SPACER (11083) .....								1	
-18	5S2106	. . . SEAL, Grease (11083) .....								1	
-19	8H9789	. . . BEARING, Hub (11083) .....								1	
-20	2P1757	. . . HUB, Fan (11083) .....								1	
-21	3B8489	. . . FITTING, Grease (11083) .....								1	
-22	4N4682	. . . BRACKET ASSEMBLY (11083).....								1	
	5B5812	. . . DOWEL (11083) (not shown) .....								1	

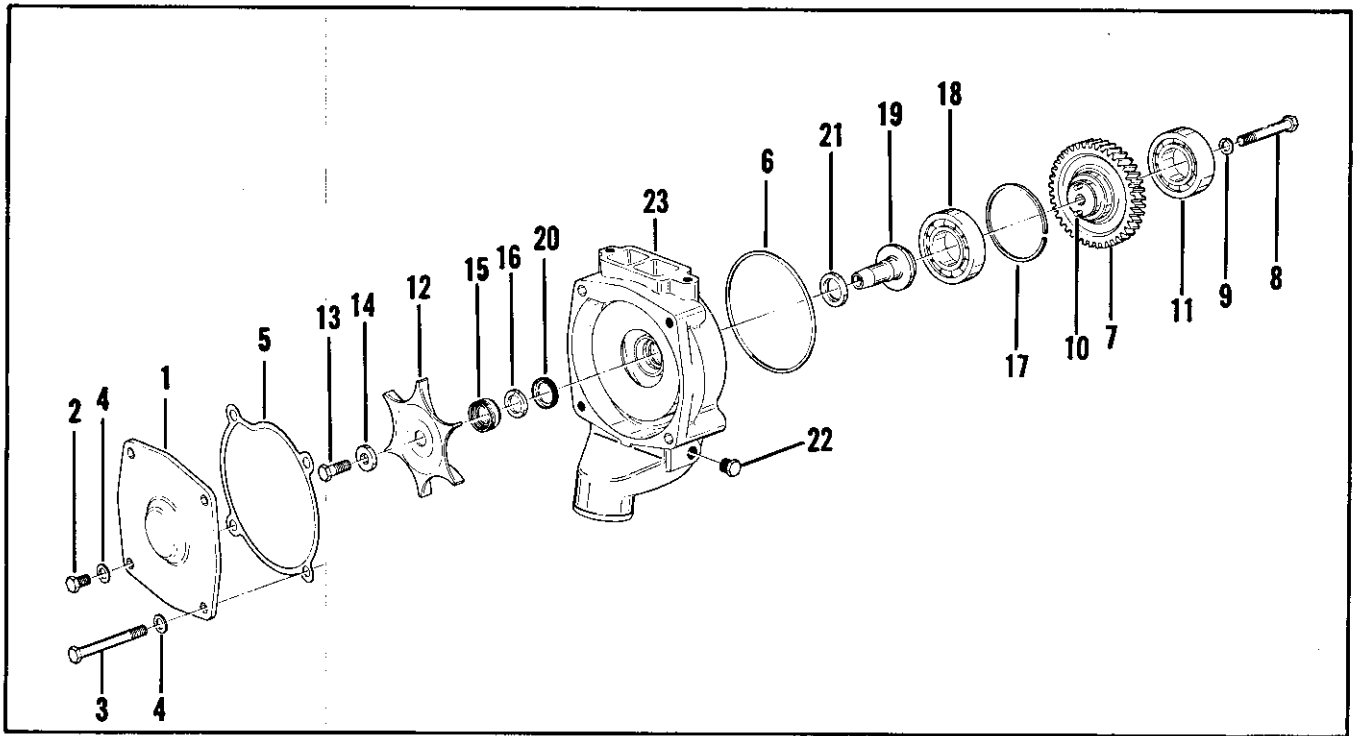


Figure 33. Water pump group

FIG. & INDEX NO.	PART NUMBER	DESCRIPTION	1 2 3 4 5 6 7							UNITS PER ASSY	USABLE ON CODE	
33-	2P662	PUMP GROUP, Water (11083) (see figure 21-11 for NHA) .....									REF	
-1	2P404	. COVER, Pump (11083) .....									1	
-2	2P3200	. SCREW, Cap, hex hd (AP) (11083) .....									2	
-3	8S9191	. SCREW, Cap, hex hd (AP) (11083) .....									2	
-4	5M2894	. WASHER, Plain flat (AP) (11083) .....									4	
-5	2P405	. GASKET, Cover (11083) .....									1	
-6	5F3106	. SEAL (11083) .....									1	
-7	2P660	. GEAR ASSEMBLY (11083) .....									1	
-8	*S1619	. SCREW, Cap, hex hd (AP) (11083) .....									1	
-9	*3B4506	. WASHER, Lock, split (AP) (11083) .....									1	
-10	2L5893	. PIN (11083) .....									2	
-11	*8H9789	. BEARING (11083) .....									1	
-12	*1P9952	. IMPELLER (11083) .....									1	
-13	*4L6454	. SCREW, Cap, hex hd (AP) (11083) .....									1	
-14	*9M6527	. WASHER, Retaining (AP) (11083) .....									1	
-15	4N6556	. SEAL ASSEMBLY (11083) .....									1	
-16	8S7762	. RING, Seal (11083) .....									1	
-17	*1K6985	. RETAINER, Bearing (11083) .....									1	
-18	*6H3957	. BEARING (11083) .....									1	
-19	*1P9929	. SHAFT, Pump (11083) .....									1	
-20	8S8821	. SEAL (11083) .....									1	
-21	8H9520	. SEAL (11083) .....									1	
-22	*5M6213	. PLUG (11083) .....									1	
-23	2P671	. HOUSING, Pump (11083) .....									1	
	4N8480	KIT, Rebuild, pump (11083) .....									1	
	5P1937	KIT, Gasket, water pump (11083) .....									1	

\* Components of kit no. 4N8480

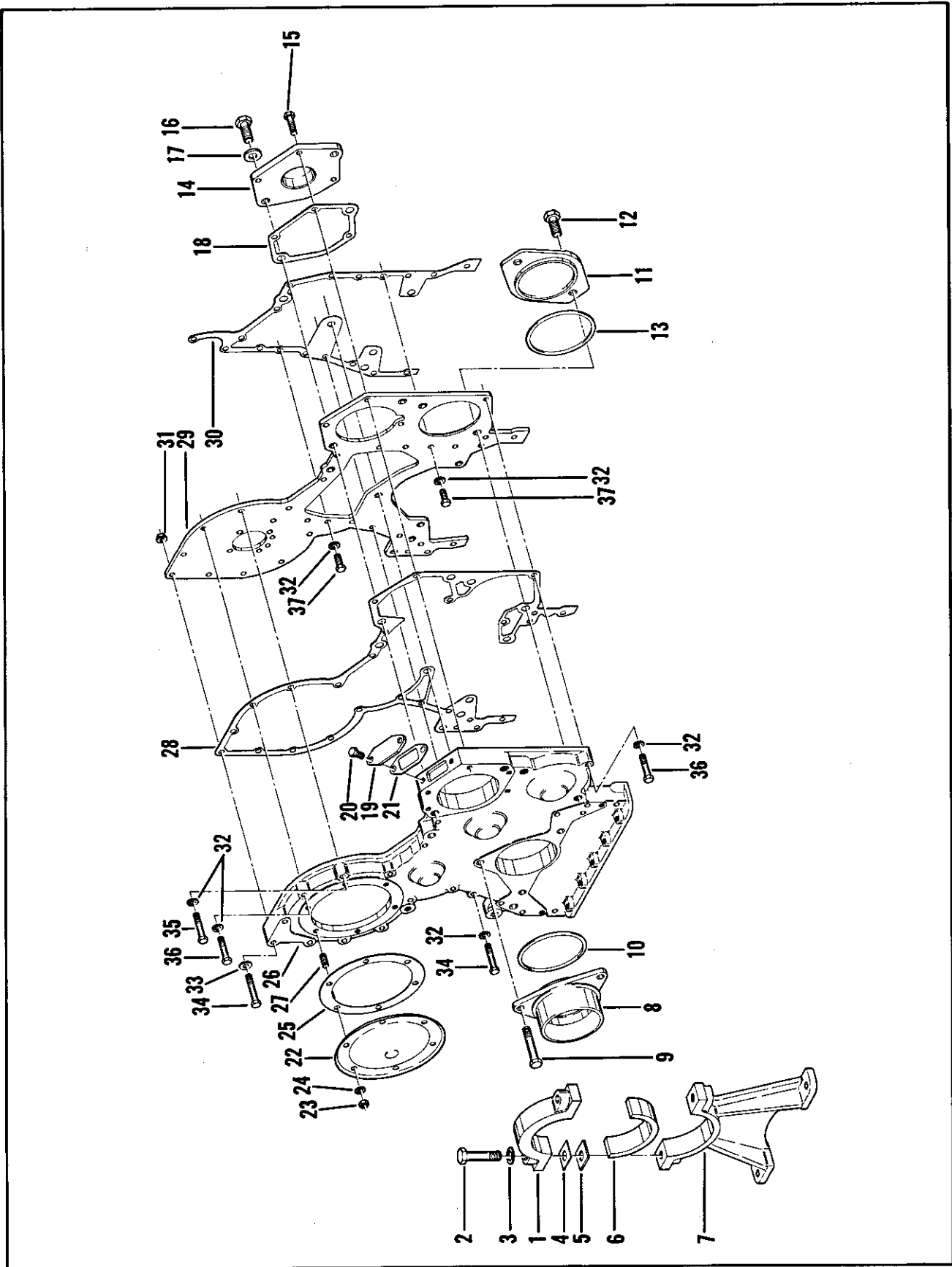


Figure 34. Timing cover and front mounting group



FIG. & INDEX NO.	PART NUMBER	DESCRIPTION	UNITS	USABLE
			PER ASSY	ON CODE
		1 2 3 4 5 6 7		
34-	NO NUMBER	TIMING COVER AND FRONT MOUNTING GROUP (11083) (see ..... figure 21-12 for NHA)	REF	
	2N8485	. . . . . SUPPORT GROUP, Front engine (11083) .....	1	
-1	9L875	. . . . . CAP, Support (11083) .....	1	
-2	1B4367	. . . . . SCREW, Cap, hex hd (AP) (11083) .....	2	
-3	3B4510	. . . . . WASHER, Lock, split (AP) (11083) .....	2	
-4	9L901	. . . . . SHIM, Support, 0.005 in. thk (11083) .....	12	
-5	9L902	. . . . . SHIM, Support, 0.105 in. thk (11083) .....	2	
-6	9L865	. . . . . BUSHING, Support (11083) .....	1	
-7	8L4527	. . . . . SUPPORT, Engine (11083) .....	1	
	9L5765	. . . . . TRUNNION GROUP (11083) .....	1	
-8	2P1486	. . . . . TRUNNION (11083) .....	1	
-9	L1329	. . . . . SCREW, Cap, hex hd (AP) (11083) .....	3	
-10	2P1692	. . . . . SEAL, Trunnion (11083) .....	1	
	5R3149	. . . . . COVER GROUP, Front housing (11083) .....	1	
-11	5M596	. . . . . COVER, Drive opening (11083) .....	1	
-12	S1566	. . . . . SCREW, Cap, hex hd (AP) (11083) .....	2	
-13	5F3106	. . . . . SEAL, Cover (11083) .....	1	
-14	2P218	. . . . . COVER, Water pump opening (11083) .....	1	
-15	2P3202	. . . . . SCREW, Cap, hex hd (AP) (11083) .....	3	
-16	S1566	. . . . . SCREW, Cap, hex hd (AP) (11083) .....	2	
-17	4D3704	. . . . . WASHER (AP) (11083) .....	2	
-18	2P220	. . . . . GASKET, Cover (11083) .....	1	
-19	4N4526	. . . . . COVER (11083) .....	1	
-20	2P3201	. . . . . SCREW, Cap, hex hd (AP) (11083) .....	2	
-21	2P2720	. . . . . GASKET, Cover (11083) .....	1	
-22	2P8701	. . . . . COVER, Accessory drive (11083) .....	1	
-23	1B4203	. . . . . NUT, Hex (AP) (11083) .....	6	
-24	5M2894	. . . . . WASHER (AP) (11083) .....	6	
-25	2P8702	. . . . . GASKET, Cover (11083) .....	1	
	2P6153	. . . . . FRONT HOUSING GROUP (11083) .....	1	
-26	1P9968	. . . . . HOUSING ASSY, Front (11083) .....	1	
-27	2S42	. . . . . STUD (11083) .....	6	
-28	2P1274	. . . . . GASKET, Housing (11083) .....	1	
-29	1P9971	. . . . . PLATE, Housing, front (11083) .....	1	
-30	2P1273	. . . . . GASKET, Plate (11083) .....	1	
	2P6498	. . . . . FASTENER GROUP, Front housing (11083) .....	1	
-31	2P3261	. . . . . NUT (AP) (11083) .....	6	
-32	3B4506	. . . . . WASHER, Lock, split (AP) (11083) .....	21	
-33	4B4278	. . . . . WASHER, Flat (AP) (11083) .....	6	
-34	2P3208	. . . . . SCREW, Cap, hex hd, 2-1/2 in. lg (AP) (11083) .....	6	
-35	2P3207	. . . . . SCREW, Cap, hex hd, 2-1/4 in. lg (AP) (11083) .....	13	
-36	2P3206	. . . . . SCREW, Cap, hex hd, 2 in. lg (AP) (11083) .....	2	
-37	2P3201	. . . . . SCREW, Cap, hex hd, 1 in. lg (AP) (11083) .....	6	

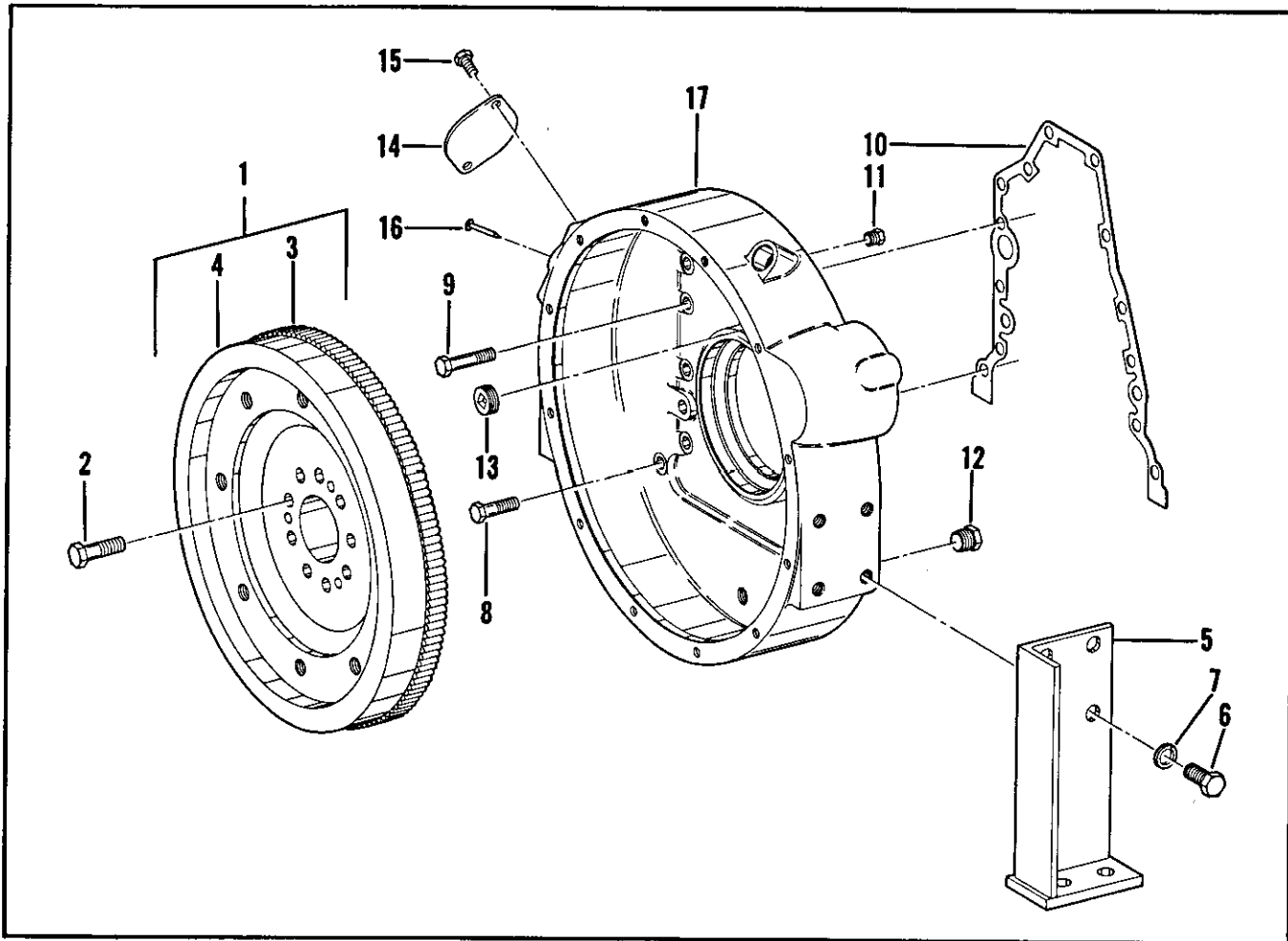


Figure 35. Flywheel, flywheel housing, and rear mounting group

FIG. & INDEX NO.	PART NUMBER	DESCRIPTION							UNITS PER ASSY	USABLE ON CODE
		1	2	3	4	5	6	7		
35-	NO NUMBER	FLYWHEEL, FLYWHEEL HOUSING AND REAR MOUNTING GROUP .... (11083) (see figure 21-13 for NHA)							REF	
-1	3R8029	. FLYWHEEL ASSEMBLY (11083) .....							1	
-2	S1600	. SCREW, Cap, hex hd (AP) (11083) .....							9	
-3	8L4860	. . GEAR, Ring (11083) .....							1	
-4	3R8030	. . FLYWHEEL (11083) .....							1	
-5	65102	. SUPPORT, Engine, rear .....							2	
-6	COML	. SCREW, Cap, hex hd, 5/8-11NC x 1-1/2 in. lg (AP) .....							8	
-7	COML	. WASHER, Lock, split, 5/8 in. (AP) .....							8	
	3N6939	. HOUSING GROUP, Flywheel (11083) .....							1	
-8	9S1366	. . SCREW, Cap, hex hd (AP) (11083) .....							4	
-9	1A1460	. . SCREW, Cap, hex hd (AP) (11083) .....							9	
-10	9H5921	. . GASKET, Housing (11083) .....							1	
-11	3J5390	. . PLUG, Pipe (11083) .....							1	
-12	3M7045	. . PLUG, Pipe (11083) .....							1	
-13	3B551	. . PLUG, Pipe (11083) .....							1	
-14	3B817	. . COVER, Pointer (11083) .....							1	
-15	2P3200	. . SCREW, Cap, hex hd (AP) (11083) .....							2	
-16	4L3814	. . POINTER (11083) .....							1	
-17	8L5278	. . HOUSING, Flywheel (11083) .....							1	

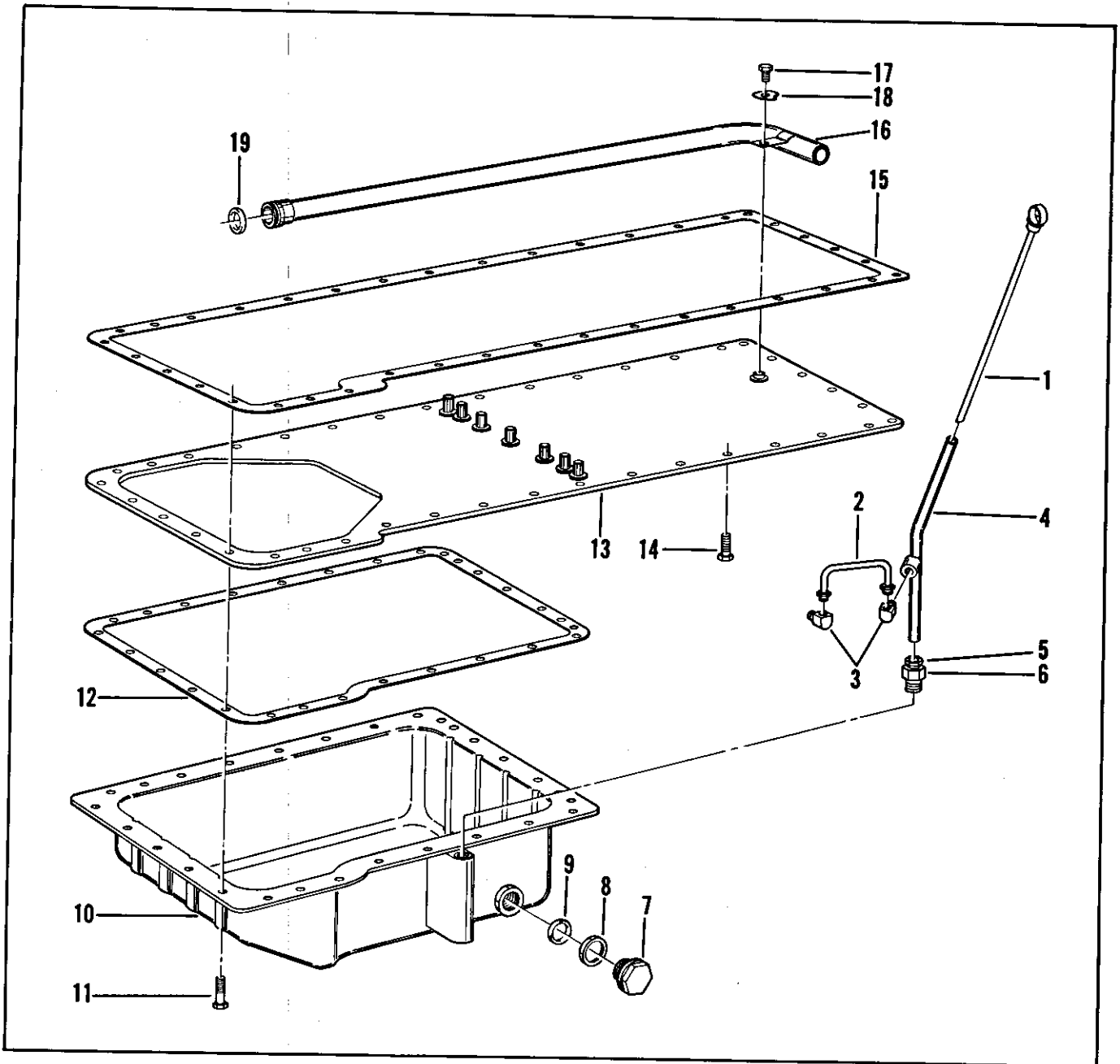


Figure 36. Oil pan group

FIG. & INDEX NO.	PART NUMBER	DESCRIPTION	UNITS PER ASSY							USABLE ON CODE	
			1	2	3	4	5	6	7		
36-	NO NUMBER	PAN GROUP, Oil (11083) (see figure 21-14 for NHA)								REF	
-1	3N2898	. GAUGE GROUP, Oil level (11083)								1	
-2	3N4245	. . GAUGE, Oil level (11083)								1	
-3	2P2697	. . TUBE ASSEMBLY (11083)								1	
-4	5K9243	. . ELBOW, Tubing (11083)								2	
-5	3N4164	. . TUBE ASSEMBLY (11083)								1	
-6	8F8998	. . NUT, Tubing (11083)								1	
-7	8S1326	. . FITTING, Tubing (11083)								1	
	3N2899	. PAN GROUP, Oil (11083)								1	

FIG. & INDEX NO.	PART NUMBER	DESCRIPTION	UNITS PER ASSY							USABLE ON CODE	
			1	2	3	4	5	6	7		
36-7	2A3852	PLUG, Drain (11083)								1	
-8	1S3889	WASHER, Plug (11083)								1	
-9	8M4432	SEAL, Plug (11083)								1	
-10	7L7559	PAN ASSEMBLY (11083)								1	
-11	2P3201	SCREW, Cap, hex hd (AP) (11083)								21	
-12	8S1965	GASKET, Pan (11083)								1	
-13	2P1738	PLATE ASSEMBLY (11083)								1	
-14	2P3200	SCREW, Cap, hex hd (AP) (11083)								25	
-15	4M2969	GASKET, Plate (11083)								1	
-16	2P1739	TUBE ASSEMBLY (11083)								1	
-17	T102	SCREW, Cap, hex hd (AP) (11083)								1	
-18	L364	LOCK, Screw (AP) (11083)								1	
-19	9H6067	SEAL, Tube (11083)								1	

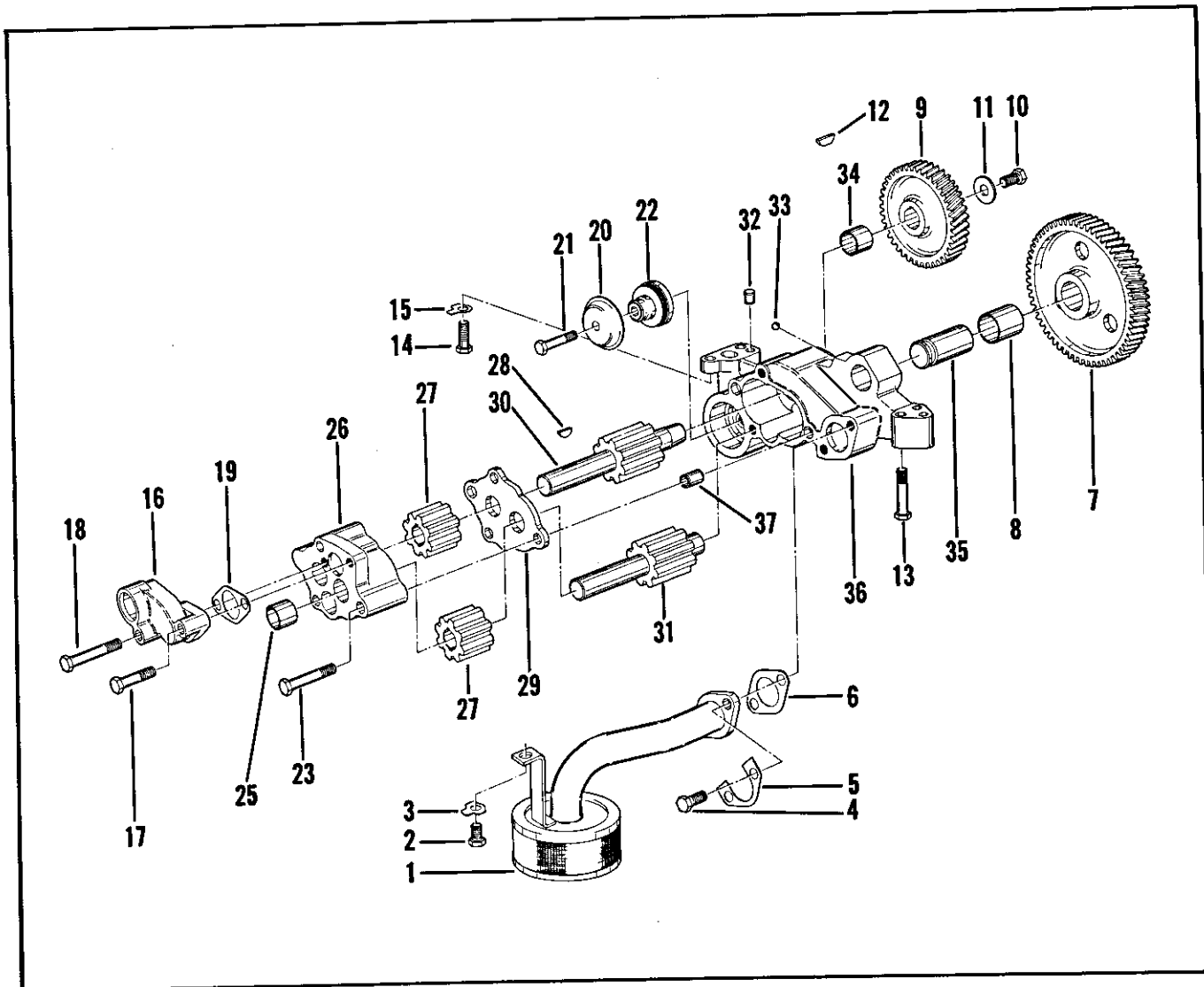


Figure 37. Oil pump group

FIG. & INDEX NO.	PART NUMBER	DESCRIPTION	UNITS PER ASSY	USABLE ON CODE
37-	NO NUMBER	PUMP GROUP, Oil (11083) (see figure 21-15 for NHA) .....	REF	
-1	2P1751	. BELL ASSEMBLY, Oil suction (11083) .....	1	
-2	T102	. SCREW, Cap, hex hd (AP) (11083) .....	1	
-3	L364	. PLATE, Lock (AP) (11083) .....	1	
-4	S1594	. SCREW, Cap, hex hd (AP) (11083) .....	2	
-5	8S8874	. PLATE, Lock (AP) (11083) .....	2	
-6	8M904	. GASKET, Flange (11083) .....	1	
-7	2P1172	. GEAR ASSEMBLY (11083) .....	1	
-8	2P1168	. . BEARING, Sleeve (11083).....	1	
-9	8S497	. GEAR, Oil pump (11083) .....	1	
-10	2P3206	. SCREW, Cap, hex hd (AP) (11083) .....	1	
-11	1P7346	. WASHER (AP) (11083) .....	1	
-12	8M5599	. KEY, Oil pump gear (AP) (11083) .....	1	
	2P1784	. PUMP GROUP (11083) .....	1	
-13	2P3206	. SCREW, Cap, hex hd (AP) (11083) .....	2	
-14	1A2029	. SCREW, Cap, hex hd (AP) (11083) .....	2	
-15	7H1861	. PLATE, Lock (AP) (11083) .....	2	
-16	4N5353	. . ELBOW (11083) .....	1	
-17	2P3206	. . SCREW, Cap, hex hd (AP) (11083) .....	1	
-18	2P3210	. . SCREW, Cap, hex hd (AP) (11083) .....	1	
-19	2P8746	. . GASKET, Elbow (11083) .....	1	
	2P1785	. . PUMP, Oil (11083) .....	1	
-20	4N3732	. . . COVER, Valve (11083) .....	1	
-21	1B9575	. . . SCREW, Cap, hex hd (AP) (11083) .....	1	
-22	4N8385	. . . VALVE ASSY, Relief (11083) .....	1	
	4N4055	. . . BODY ASSY, Pump gear (11083).....	1	
-23	2P3211	. . . SCREW, Cap, hex hd (AP) (11083) .....	3	
-24	Deleted			
-25	8S6509	. . . . BEARING, Sleeve (11083) .....	2	
-26	4N4054	. . . . BODY (11083) .....	1	
-27	6N1036	. . . . GEAR, Pump (11083) .....	2	
-28	1B8709	. . . . KEY (AP) (11083) .....	1	
-29	2P1781	. . . . SPACER, Pump (11083) .....	1	
-30	2P6245	. . . . SHAFT ASSY, Gear (11083) .....	1	
-31	8S493	. . . . SHAFT ASSY, Gear (11083) .....	1	
	2P685	. . . . BODY ASSY, Pump (11083) .....	1	
-32	1F1006	. . . . PIN, Dowel (11083).....	1	
-33	4B9880	. . . . BALL, Steel (11083) .....	1	
-34	8S6509	. . . . BEARING, Sleeve (11083) .....	2	
-35	2P1170	. . . . SHAFT, Gear (11083) .....	1	
-36	2P684	. . . . BODY, Pump (11083) .....	1	
-37	1M3735	. . . . PIN, Dowel (11083).....	2	

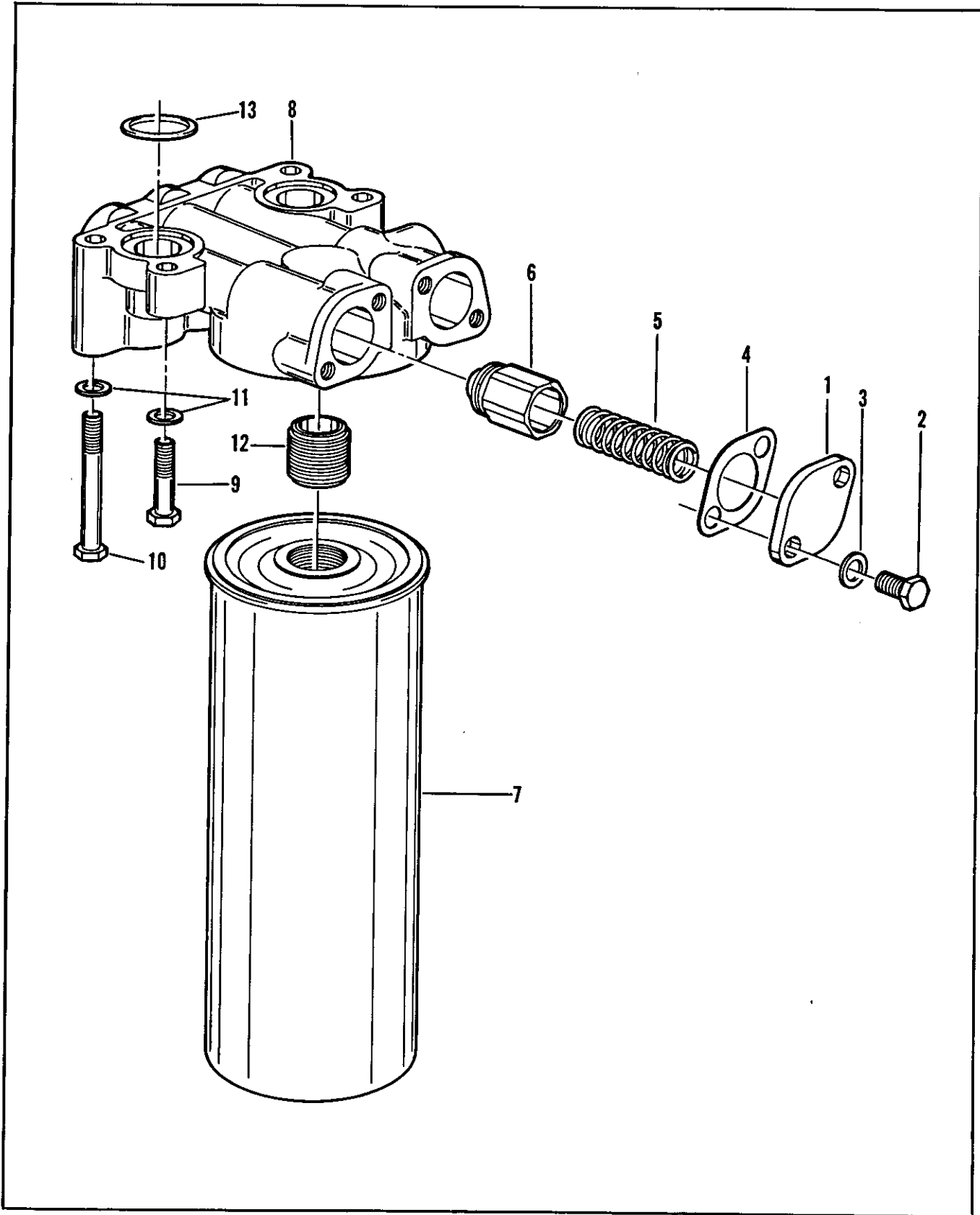


Figure 38. Engine oil filter and mounting group

FIG. & INDEX NO.	PART NUMBER	DESCRIPTION 1 2 3 4 5 6 7	UNITS	USABLE
			PER ASSY	ON CODE
38-	2P6475	FILTER GROUP, Engine oil, and mounting (11083) (see figure 21-46 ..... for NHA)	REF	
-1	6B830	. COVER, Relief valve (11083) .....	2	
-2	S1618	. SCREW, Cap, hex hd (AP) (11083) .....	4	
-3	9M1974	. WASHER, Lock, split (AP) (11083) .....	4	
-4	7S6744	. GASKET, Cover (11083) .....	2	
-5	8M3182	. SPRING (11083) .....	2	
-6	9M853	. PLUNGER (11083).....	2	
-7	2P4004	. FILTER ASSEMBLY (11083) .....	1	
-8	1P6448	. BASE ASSEMBLY (11083) .....	1	
-9	1A9579	. SCREW, Cap, hex hd, 1-1/2 in. lg (AP) (11083) .....	3	
-10	1D4540	. SCREW, Cap, hex hd, 2-3/4 in. lg (AP) (11083) .....	1	
-11	9M1974	. WASHER, Lock, split (AP) (11083) .....	4	
-12	2P2537	. STUD (11083) .....	1	
-13	8M4988	. SEAL, Base (11083) .....	2	

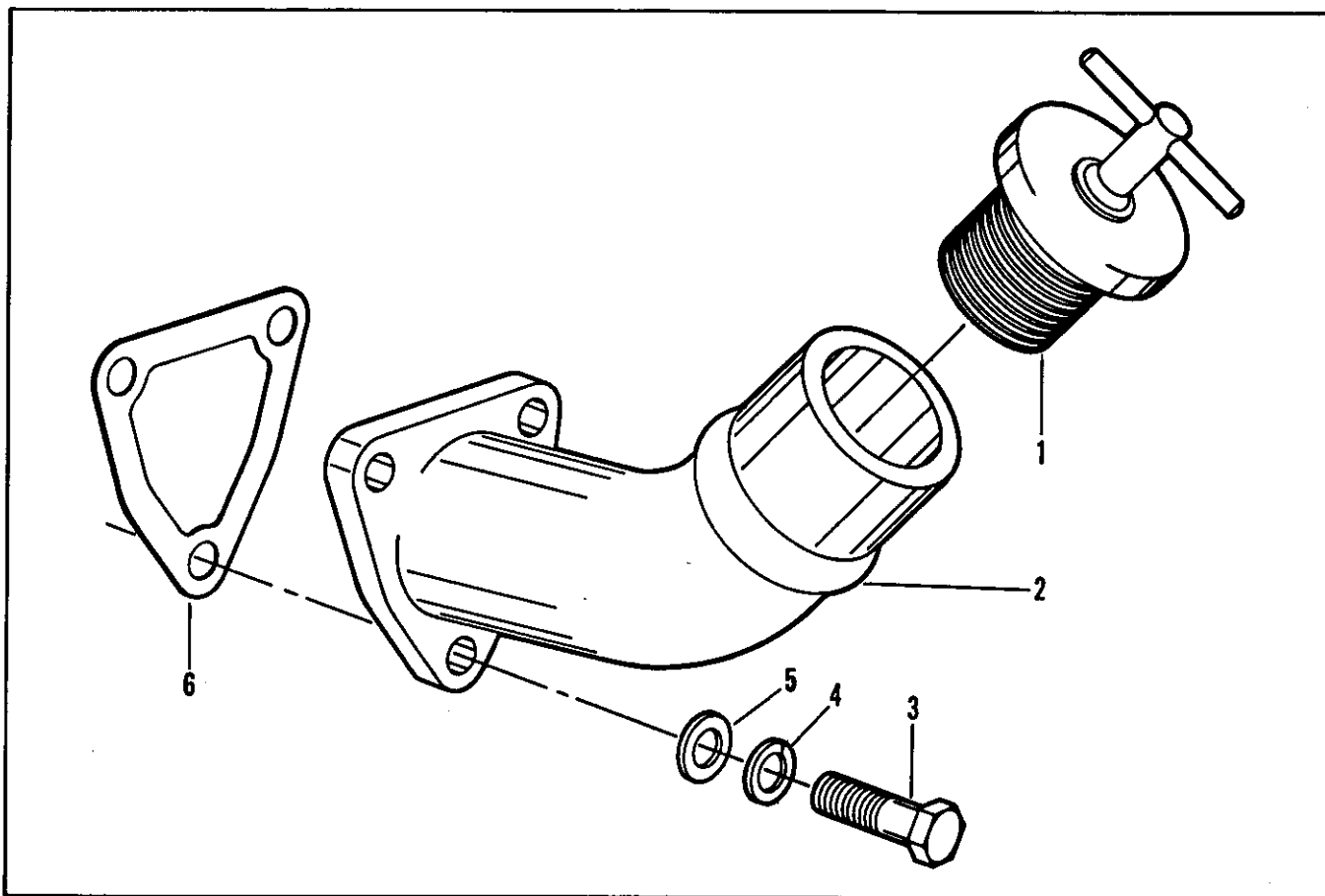


Figure 39. Engine oil filler and mounting group

FIG. & INDEX NO.	PART NUMBER	DESCRIPTION	UNITS PER ASSY	USABLE ON CODE
39-	5R3151	FILLER, Engine oil, and mounting (11083) (see figure 21-17 for NHA) ....	REF	
-1	5L2952	. CAP ASSEMBLY, Filler (11083) .....	1	
-2	1P2698	. PIPE, Filler (11083) .....	1	
-3	1A2029	. SCREW, Cap, hex hd (AP) (11083) .....	3	
-4	3B4506	. WASHER, Lock, split (AP) (11083) .....	3	
-5	4B4278	. WASHER, Flat (AP) (11083) .....	3	
-6	5S8055	. GASKET, Filler pipe (11083) .....	1	

FIG. & INDEX NO.	PART NUMBER	DESCRIPTION	UNITS PER ASSY	USABLE ON CODE
40-	NO NUMBER	BREATHER, Valve cover, and mounting group (11083) (see figure 21-18 .... for NHA)	REF	
	3N3392	. FUMES DISPOSAL GROUP (11083) .....	1	
-1	2P3767	. . TUBE (11083) .....	1	
-2	6L3351	. . CLIP, Tube (AP) (11083) .....	2	
-3	8S780	. . HOSE, Breather (11083) .....	1	
-4	9M2904	. . CLAMP, Hose (AP) (11083) .....	2	
	1P4244	. BREATHER GROUP, Valve cover (11083) .....	1	



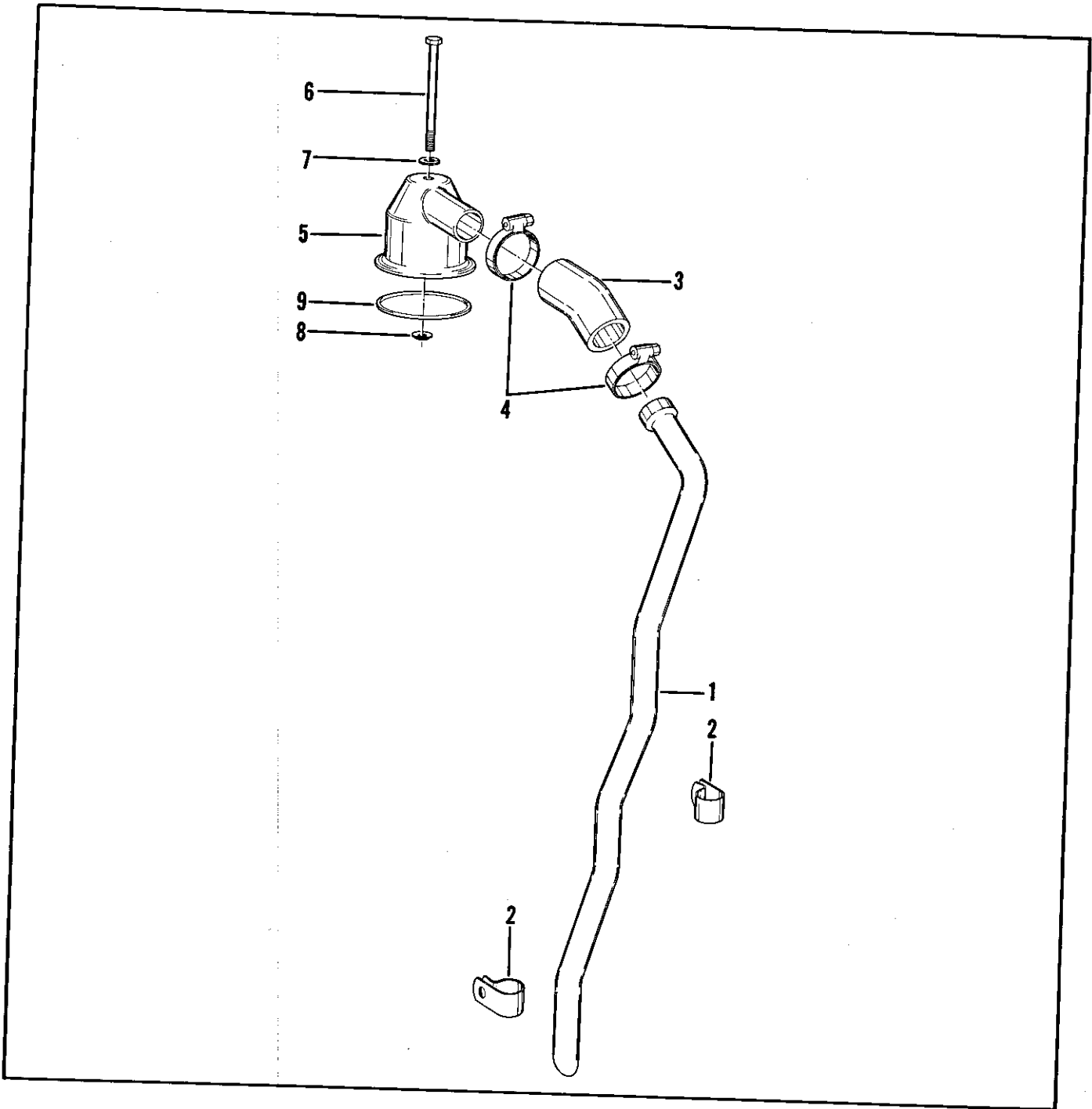


Figure 40. Valve cover breather and mounting group

FIG. & INDEX NO.	PART NUMBER	DESCRIPTION							UNITS PER ASSY	USABLE ON CODE
		1	2	3	4	5	6	7		
40-5	8S248	.	.	BREATHER ASSEMBLY (11083)	.....				1	
-6	3H3243	.	.	SCREW, Cap, hex hd (AP) (11083)	.....				1	
-7	4K9890	.	.	WASHER (AP) (11083)	.....				1	
-8	8S3193	.	.	NUT (AP) (11083)	.....				1	
-9	6L5359	.	.	SEAL, Breather (11083)	.....				1	

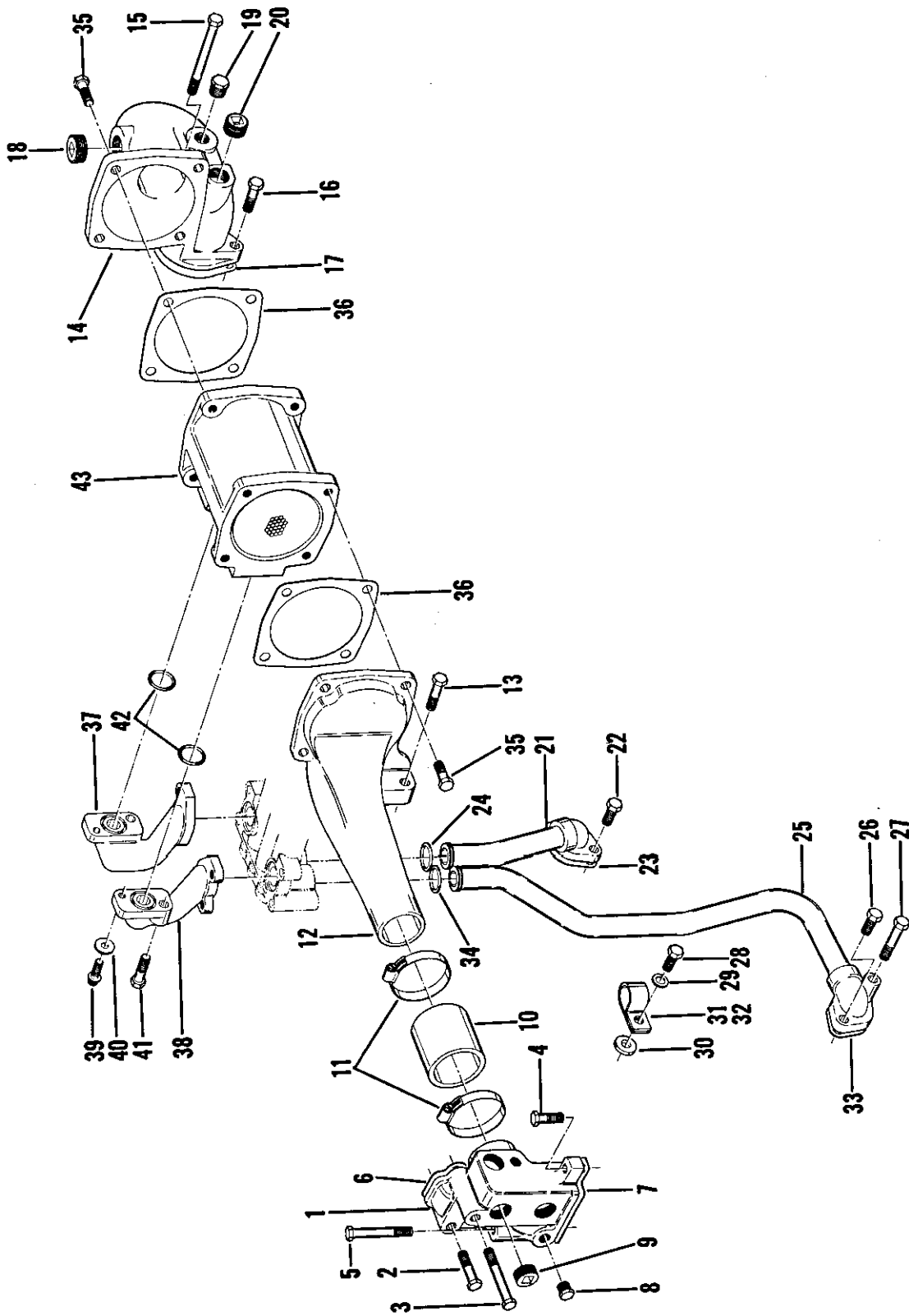


Figure 41. Oil cooler and mounting group

FIG. & INDEX NO.	PART NUMBER	DESCRIPTION							UNITS PER ASSY	USABLE ON CODE
		1	2	3	4	5	6	7		
41-	NO NUMBER	COOLER, Oil, and mounting group (11083) (see figure 21-19 for NHA) .....							REF	
-1	2P7730	. WATER LINE GROUP (11083) .....							1	
-2	2P6117	. . ELBOW (11083) .....							1	
-3	2P3206	. . SCREW, Cap, hex hd, 2 in. lg (AP) (11083) .....							1	
-4	2P3211	. . SCREW, Cap, hex hd, 3-1/2 in. lg (AP) (11083) .....							1	
-5	2P3203	. . SCREW, Cap, hex hd, 1-1/4 in. lg (AP) (11083) .....							1	
-6	2P3210	. . SCREW, Cap, hex hd, 3 in. lg (AP) (11083) .....							1	
-7	2P6132	. . GASKET (11083) .....							1	
-8	2P406	. . GASKET (11083) .....							1	
-9	5M6213	. . PLUG (11083) .....							1	
-10	1B5174	. . PLUG (11083) .....							2	
-11	2S6656	. . PLUG (11083) .....							3	
-12	2J6540	. . HOSE, 3 in. lg (11083).....							1	
-13	2P8870	. . CLAMP, Hose (11083).....							2	
-14	2P3204	. . PIPE, Water (11083) .....							1	
-15	2P7728	. . SCREW, Cap, hex hd (11083) .....							1	
-16	2P7726	. WATER LINE GROUP, Elbow (11083) .....							1	
-17	2P3215	. . BONNET (11083) .....							1	
-18	2P3204	. . SCREW, Cap, hex hd (AP) (11083) .....							1	
-19	2P2516	. . SCREW, Cap, hex hd (AP) (11083) .....							1	
-20	3B551	. . GASKET (11083) .....							1	
-21	3J5390	. . PLUG (11083) .....							1	
-22	1B5174	. . PLUG (11083) .....							1	
-23	2P2460	. . PLUG (11083) .....							1	
-24	2P3201	. TUBE ASSEMBLY (11083) .....							1	
-25	7F7590	. SCREW, Cap, hex hd (AP) (11083) .....							2	
-26	9H6067	. GASKET (11083) .....							1	
-27	2P2519	. SEAL, Tube (11083) .....							1	
-28	2P3202	. TUBE ASSEMBLY (11083) .....							1	
-29	2P3207	. SCREW, Cap, hex hd (AP) (11083) .....							1	
-30	2P3201	. SCREW, Cap, hex hd (AP) (11083) .....							1	
-31	4B4278	. SCREW, Cap, hex hd (AP) (11083) .....							1	
-32	5B8030	. WASHER (AP) (11083) .....							1	
-33	7S3919	. SPACER (AP) (11083) .....							1	
-34	7S3916	. CLIP, Tube (AP) (11083) .....							1	
-35	2M5407	. CLIP, Tab, tube (AP) (11083) .....							1	
-36	9H6067	. GASKET (11083) .....							1	
-37	2P7738	. SEAL, Tube (11083) .....							1	
-38	2P3202	. COOLER GROUP, Oil (11083) .....							1	
-39	8S5409	. . SCREW, Cap, hex hd, 1-1/8 in. lg (AP) (11083) .....							8	
-40	2P7734	. . GASKET (11083) .....							2	
-41	2P7732	. . ELBOW (11083) .....							1	
-42	1T765	. . ELBOW (11083) .....							1	
-43	5M2894	. . SCREW, Cap, hex hd, 1 in. lg (AP) (11083) .....							2	
-44	2P3204	. . WASHER (AP) (11083) .....							2	
-45	8M4988	. . SCREW, Cap, hex hd (AP) (11083) .....							2	
-46	2P8796	. . SEAL, Elbow (11083) .....							2	
-47		. . CORE ASSEMBLY (11083) .....							1	

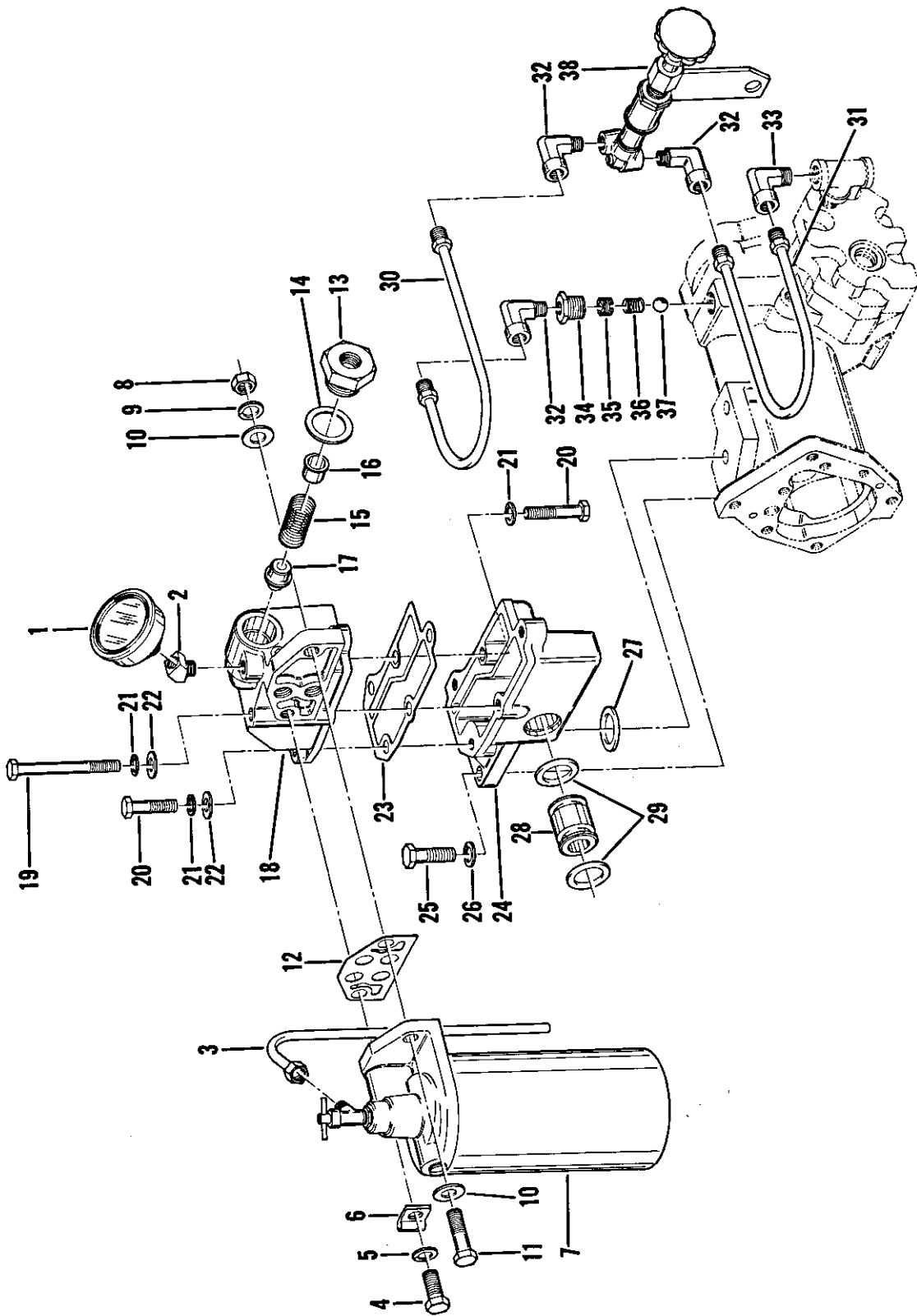


Figure 42. Fuel filter and priming tank group

FIG. & INDEX NO.	PART NUMBER	DESCRIPTION	UNITS PER ASSY	USABLE ON CODE
42-	7L261	FILTER, Fuel, and priming tank group (11083) (see figure 21-20 for NHA) ..	REF	
-1	4S6574	. GAUGE, Fuel pressure (11083) .....	1	
-2	3B7896	. ELBOW (11083) .....	1	
-3	1N7970	. TUBE ASSEMBLY (11083) .....	1	
-4	S1588	. SCREW, Cap, hex hd, 1-1/4 in. lg (AP) (11083) .....	1	
-5	3B4506	. WASHER, Lock, split (AP) (11083) .....	1	
-6	2B2404	. CLIP, Tubing (AP) (11083) .....	1	
-7	NO NUMBER	. FILTER ASSEMBLY, Fuel (11083) (see figure 43 for details, not serviced as an assembly) .....	1	
-8	1D4717	. NUT, Hex (AP) (11083) .....	1	
-9	3B4506	. WASHER, Lock, split (AP) (11083) .....	1	
-10	4B4278	. WASHER, Flat (AP) (11083) .....	1	
-11	2A4639	. SCREW, Cap, hex hd, 1-5/8 in. lg (AP) (11083) .....	1	
-12	7L7368	. GASKET, Filter (11083) .....	1	
-13	6L7611	. FITTING, Relief valve (11083) .....	1	
-14	4B5647	. GASKET (11083) .....	1	
-15	4S6526	. SPRING (11083) .....	1	
-16	2F4355	. STOP (11083) .....	1	
-17	2S4015	. PLUNGER ASSEMBLY (11083) .....	1	
-18	8L8612	. TANK ASSEMBLY, Top (11083) .....	1	
-19	1F5842	. SCREW, Cap, hex hd (AP) (11083) .....	1	
-20	1B7182	. SCREW, Cap, hex hd (AP) (11083) .....	4	
-21	3B4505	. WASHER, Lock, split (AP) (11083) .....	5	
-22	4B4277	. WASHER, Flat (AP) (11083) .....	4	
-23	7L7364	. GASKET, Tank (11083) .....	1	
-24	2N7612	. TANK, Bottom (11083) .....	1	
-25	S1588	. SCREW, Cap, hex hd, 1-1/4 in. lg (AP) (11083) .....	2	
-26	3B4506	. WASHER, Lock, split (AP) (11083) .....	2	
-27	3P8453	. SEAL, Tank (11083) .....	1	
-28	7L7345	. SLEEVE, Seal (11083) .....	1	
-29	9H4557	. SEAL, Sleeve (11083) .....	2	
-30	7L442	. TUBE ASSEMBLY (11083) .....	1	
-31	7L399	. TUBE ASSEMBLY (11083) .....	1	
-32	3B8998	. FITTING, Tube, 90° (11083) .....	3	
-33	1H7922	. FITTING, Tube, 90° (11083) .....	1	
-34	3B7721	. BUSHING (11083) .....	1	
-35	7B7840	. RETAINER, Spring (11083) .....	1	
-36	7B6365	. SPRING (11083) .....	1	
-37	7B6368	. BALL, Steel (11083) .....	1	
-38	9H2256	. PUMP, Fuel priming (11083) (see figure 23 for details) .....	REF	

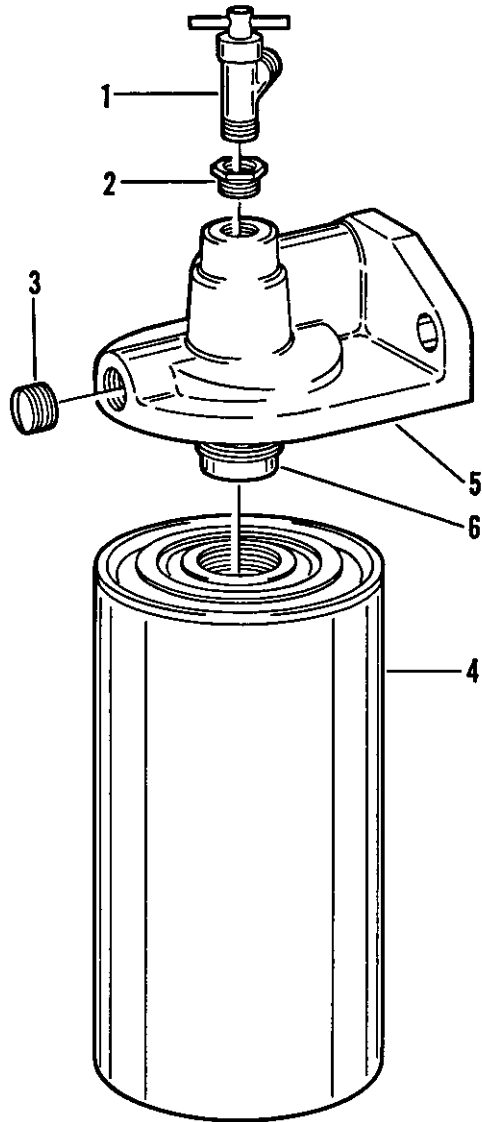


Figure 43. Fuel filter assembly

FIG. & INDEX NO.	PART NUMBER	DESCRIPTION							UNITS PER ASSY	USABLE ON CODE
		1	2	3	4	5	6	7		
43-	NO NUMBER	FILTER ASSEMBLY, Fuel (11083) (see figure 42-7 for NHA) .....							REF	
-1	6D238	. VALVE ASSEMBLY, Bleed (11083) .....							1	
-2	4MS317	. BUSHING (11083) .....							1	
-3	7H3171	. PLUG (11083) .....							1	
-4	1P2299	. FILTER ASSEMBLY (11083) .....							1	
-5	7L7451	. BASE ASSEMBLY (11083) .....							1	
-6	9S4167	. . STUD, Base (11083) .....							1	

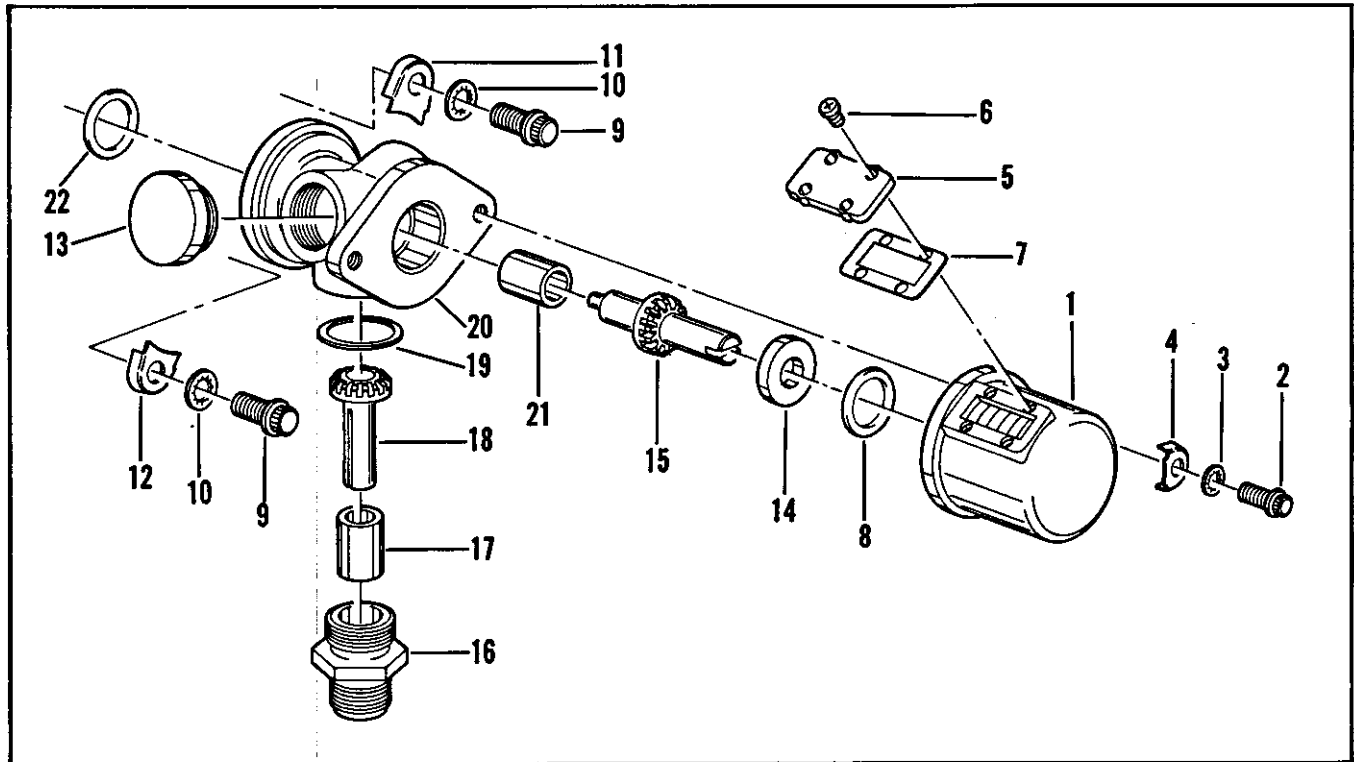


Figure 44. Service meter and tachometer drive

FIG. & INDEX NO.	PART NUMBER	DESCRIPTION							UNITS PER ASSY	USABLE ON CODE
		1	2	3	4	5	6	7		
44-	NO NUMBER	SERVICE METER AND TACHOMETER DRIVE (11083) (see figure ..... 21-21 for NHA)							REF	
	9S8732	. SERVICE METER GROUP (11083) .....							1	
-1	9S8722	. . . METER ASSEMBLY, Service (11083) .....							1	
-2	9S5033	. . . SCREW, 12 pt hd (AP) (11083) .....							2	
-3	1H3244	. . . WASHER, Lock (AP) (11083) .....							2	
-4	9S211	. . . CLAMP (AP) (11083) .....							2	
-5	*1P4922	. . . . WINDOW, Meter (11083) .....							1	
-6	*8S1389	. . . . SCREW, Machine (AP) (11083) .....							4	
-7	*9S4138	. . . . GASKET, Window (11083) .....							1	
-8	4M8303	. . . PACKING, Preformed, o-ring (11083) .....							1	
	2N6464	. TACHOMETER DRIVE GROUP (11083) .....							1	
-9	1T416	. . . SCREW, 12 pt hd (AP) (11083) .....							2	
-10	3F9556	. . . WASHER, Lock (AP) (11083).....							2	
-11	9S3033	. . . CLAMP (AP) (11083) .....							1	
-12	9S3032	. . . CLAMP (AP) (11083) .....							1	
-13	1M2075	. . . SCREW, Thrust (11083) .....							1	
-14	9S6124	. . . BEARING (11083) .....							1	
-15	2N6739	. . . SHAFT ASSEMBLY (11083) .....							1	
-16	3S8480	. . . HOUSING ASSEMBLY (11083) .....							1	
-17	1F904	. . . . BUSHING (11083) .....							1	
-18	4L8082	. . . SHAFT ASSEMBLY (11083) .....							1	
-19	4L8395	. . . SHIM (11083) (use as required) .....							14	
-20	2N4617	. . . HOUSING ASSEMBLY, Tachometer drive (11083) .....							1	
-21	9S285	. . . . BEARING, Sleeve (11083) .....							1	
-22	4M8303	. . . PACKING, Preformed, o-ring (11083) .....							1	
	1P4923	KIT, Parts, service meter (11083) .....							1	

\* Component of kit no. 1P4923

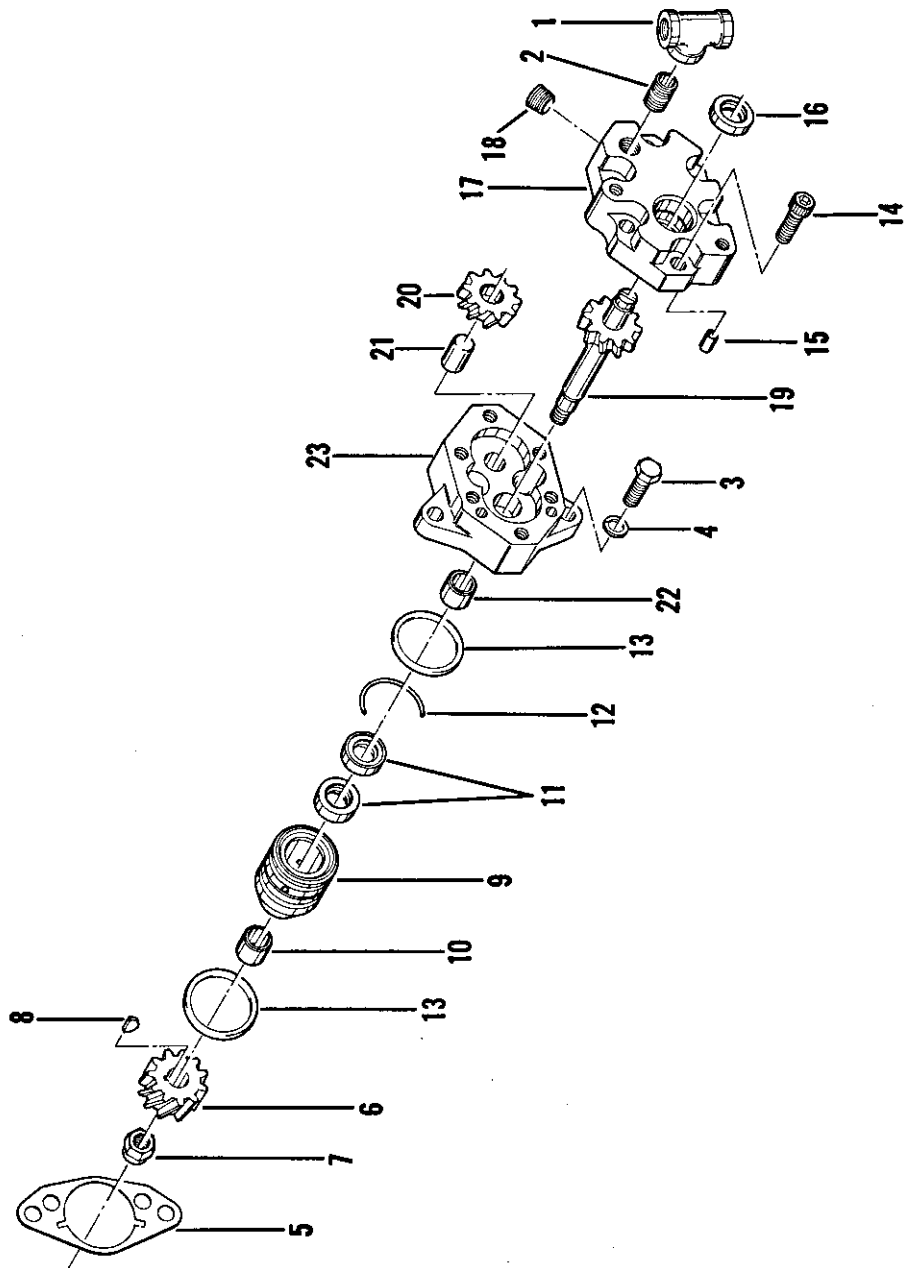


Figure 45. Fuel transfer pump



FIG. & INDEX NO.	PART NUMBER	DESCRIPTION	UNITS PER ASSY	USABLE ON CODE
45-	7L247	PUMP, Fuel transfer (11083) (see figure 21-22 for NHA) .....	REF	
-1	8B1261	. TEE, Pipe, 1/4NPT (11083) .....	1	
-2	3B7738	. NIPPLE, Pipe, close, 1/4NPT (11083) .....	1	
	7L543	. PUMP ASSEMBLY, Fuel transfer (11083) .....	1	
-3	4B3388	. SCREW, Cap, hex hd (AP) (11083) .....	2	
-4	3B4505	. WASHER, Lock, split (AP) (11083) .....	2	
-5	7S2374	. GASKET, Pump (11083) .....	1	
-6	8H9806	. . GEAR, Drive (11083) .....	1	
-7	2F8616	. . NUT, Lock, hex (AP) (11083) .....	1	
-8	3H1489	. . KEY, Woodruff (AP) (11083) .....	1	
-9	8S4375	. . CAGE ASSEMBLY (11083) .....	1	
-10	8F6058	. . . BEARING, Sleeve (11083) .....	1	
-11	4S7756	. . . SEAL, Oil (11083) .....	2	
-12	7S4439	. . RING, Retaining (11083) .....	1	
-13	6J2419	. . PACKING, Preformed, o-ring (11083) .....	2	
	8L6295	. . COVER ASSEMBLY (11083) .....	1	
-14	9F6641	. . SCREW, Cap, soc hd (AP) (11083) .....	6	
-15	7S4433	. . . FERRULE (11083) .....	1	
-16	8S5575	. . . SEAL, Oil (11083) .....	1	
-17	8L6296	. . . COVER (11083) .....	1	
-18	7H3171	. . PLUG, Pipe (11083) .....	1	
-19	8S4373	. . SHAFT ASSEMBLY (11083) .....	1	
-20	8S4368	. . GEAR, Pump (11083) .....	1	
	7S4434	. . BODY ASSEMBLY (11083) .....	1	
-21	2S6838	. . . SHAFT, Gear (11083) .....	1	
-22	8F6058	. . . BEARING, Sleeve (11083) .....	1	
-23	7S4435	. . . BODY (11083) .....	1	

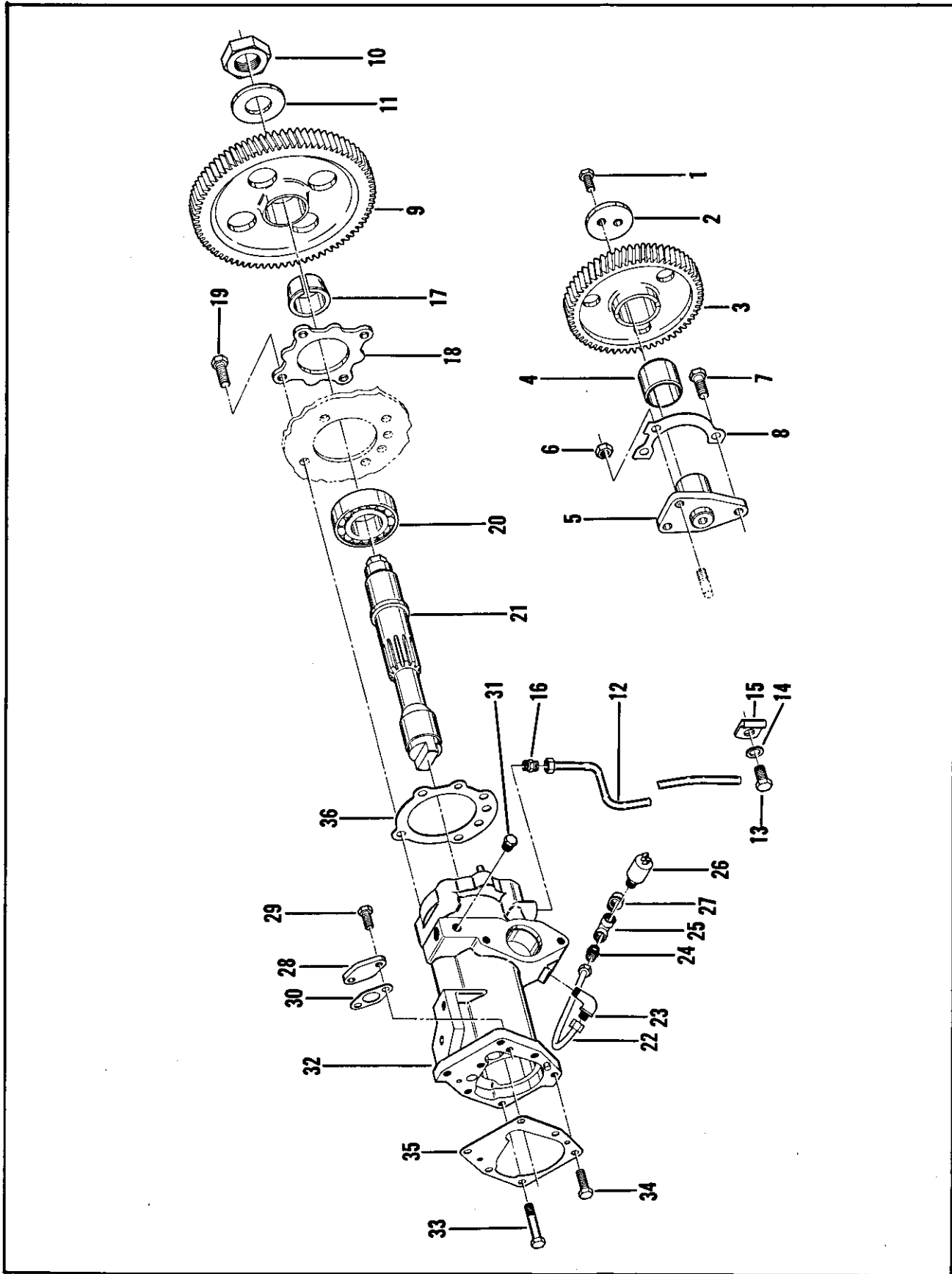


Figure 46. Accessory drive group

FIG. & INDEX NO.	PART NUMBER	DESCRIPTION	UNITS	USABLE ON CODE
			PER ASSY	
		1 2 3 4 5 6 7		
46-	NO NUMBER	DRIVE GROUP, Accessory (11083) (see figure 21-23 for NHA) .....	REF	
	5S7660	. GEAR ASSEMBLY, Idler (11083) .....	1	
-1	2H3755	. SCREW, Cap, hex hd (AP) (11083) .....	2	
-2	5S7612	. PLATE, Thrust (AP) (11083) .....	1	
-3	5S7632	. . GEAR, Idler (11083) .....	1	
-4	5S7630	. . BEARING, Sleeve (11083) .....	1	
-5	5S7608	. SHAFT, Mounting (11083) .....	1	
-6	5B9079	. NUT, Plain, hex (AP) (11083) .....	1	
-7	L1351	. SCREW, Cap, hex hd (AP) (11083) .....	2	
-8	5S7611	. PLATE, Lock (AP) (11083) .....	1	
-9	5S7614	. GEAR, Accessory drive (11083) .....	1	
-10	9S1313	. NUT, Hex (AP) (11083) .....	1	
-11	7S9847	. WASHER, Gear (AP) (11083) .....	1	
-12	8L4450	. TUBE, Drain (11083) .....	1	
-13	SS09	. SCREW, Cap, hex hd (AP) (11083) .....	1	
-14	3B4506	. WASHER, Lock, split (AP) (11083) .....	1	
-15	2B2404	. CLIP, Tube (AP) (11083) .....	1	
-16	4H1966	. FITTING, Tube (AP) (11083) .....	1	
	5R3160	. DRIVE GROUP, Accessory (11083) .....	1	
-17	5S3828	. . SLEEVE, Gear (11083) .....	1	
-18	8H9718	. . RETAINER, Bearing (11083) .....	1	
-19	2P3201	. . SCREW, Cap, hex hd (AP) (11083) .....	4	
-20	8H9789	. . BEARING, Shaft (11083) .....	1	
-21	7S5047	. . SHAFT, Drive (11083) .....	1	
-22	3N3450	. . TUBE ASSEMBLY (11083) .....	1	
-23	4H945	. . FITTING, Tube (11083) .....	1	
-24	4H1966	. . FITTING, Tube (11083) .....	1	
-25	1F9369	. . FITTING, Tube (11083) .....	1	
-26	2N7744	. . SWITCH, Fuel pressure (11083) .....	1	
-27	3B8822	. . ELBOW, Tube (11083) .....	1	
-28	8H9787	. . COVER (11083) .....	1	
-29	2H3755	. . SCREW, Cap, hex hd (AP) (11083) .....	2	
-30	8H9788	. . GASKET, Cover (11083) .....	1	
-31	5M6214	. . PLUG (11083) .....	1	
-32	7L396	. . HOUSING ASSEMBLY (11083) .....	1	
-33	1B9575	. . SCREW, Cap, hex hd (AP) (11083) .....	2	
-34	S1618	. . SCREW, Cap, hex hd (AP) (11083) .....	4	
-35	8H9220	. . GASKET (11083) .....	1	
-36	8H9364	. . GASKET (11083) .....	1	

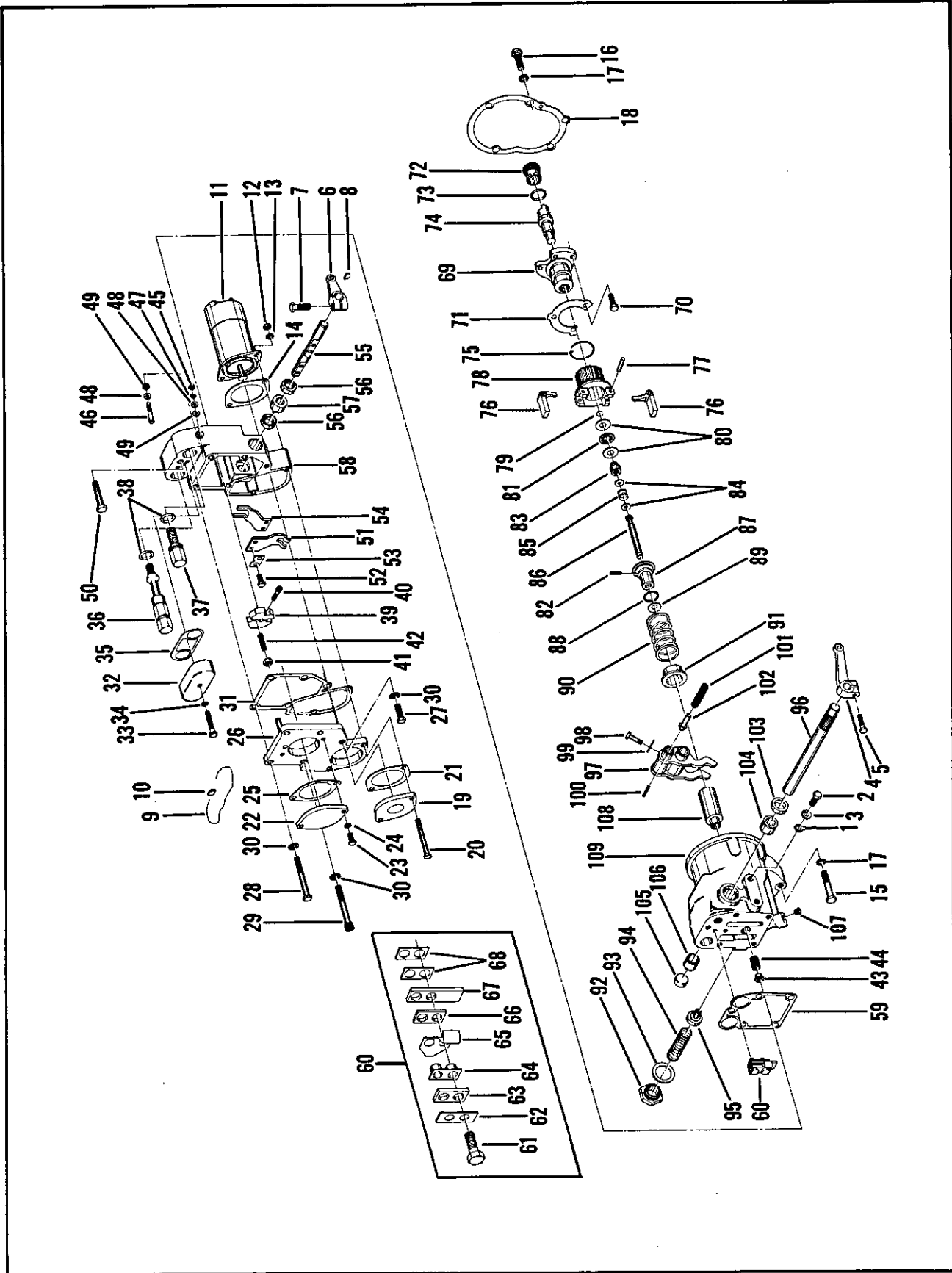


Figure 47. Governor assembly and fuel injection pump (sheet 1 of 2)

FIG. & INDEX NO.	PART NUMBER	DESCRIPTION	1 2 3 4 5 6 7							UNITS PER ASSY	USABLE ON CODE
47-sh 1	NO NUMBER	GOVERNOR ASSEMBLY AND FUEL INJECTION PUMP (11083) (see figure 21-24 for NHA)								REF	
-1	48649	WIRE ASSEMBLY, Ground, solenoid								1	
-2	COML	SCREW, Cap, hex hd, 5/16-18NC x 3/4 in. lg (AP)								1	
-3	COML	WASHER, Lock, split, 5/16 in. (AP)								1	
	5R3152	LEVER ASSEMBLY, Governor control (11083)								1	
-4	6F2097	LEVER (11083)								1	
-5	S1616	SCREW, Cap, hex hd (AP) (11083)								1	
	3N7742	LEVER ASSEMBLY, Shut-off (11083)								1	
-6	1F2419	LEVER (11083)								1	
-7	2H3738	SCREW, Cap, hex hd (AP) (11083)								1	
-8	1B8704	KEY, Lever (AP) (11083)								1	
-9	8S8160	WIRE, Sealing, 15 in. lg (11083)								1	
-10	8S8158	SEAL, Wire (AP) (11083)								1	
-11	3N584	SOLENOID GROUP, Shut-off (11083)								1	
-12	1B4330	NUT, Hex (AP) (11083)								2	
-13	3B4504	WASHER, Lock, split (AP) (11083)								2	
-14	8L3873	GASKET, Solenoid (11083)								1	
	8F1559	INSULATOR (11083)								2	
	2L8919	DISCONNECT (11083)								4	
	2L8076	TERMINAL (11083)								2	
	4B9388	WIRE, 4-1/2 in. lg (11083)								2	
	3N548	SHAFT (11083)								1	
	5B9079	NUT, Hex (11083)								1	
	5L8983	SPRING (11083)								1	
	2N2385	SOLENOID ASSEMBLY (11083)								1	
	5R3157	FUEL INJECTION PUMP AND GOVERNOR GROUP, Basic (11083)								1	
	5R3156	GOVERNOR GROUP (11083)								1	
-15	1B9575	SCREW, Cap, hex hd (AP) (11083)								2	
-16	S1618	SCREW, Cap, hex hd (AP) (11083)								3	
-17	3B4505	WASHER, Lock, split (AP) (11083)								5	
-18	7L552	GASKET (11083)								1	
-19	2N4386	COVER (11083)								1	
-20	1B2714	SCREW, Cap, hex hd (AP) (11083)								2	
-21	8L3873	GASKET, Cover (11083)								1	
-22	3L5987	COVER (11083)								1	
-23	S1082	SCREW, Cap, hex hd (AP) (11083)								2	
-24	4B9747	WASHER (AP) (11083)								2	
-25	6L1597	GASKET, Cover (11083)								1	
-26	8L4174	PLATE ASSEMBLY (11083)								1	
-27	2B2695	SCREW, Cap, hex hd (AP) (11083)								1	
-28	8L4308	SCREW, Cap, hex hd (AP) (11083)								2	
-29	2L1352	SCREW, Cap, soc hd (AP) (11083)								2	
-30	3F9556	WASHER (AP) (11083)								5	
-31	8L4159	GASKET, Plate (11083)								1	
-32	5L8992	COVER, Idle adjustment (11083)								1	
-33	6L1756	SCREW, Cap, hex hd (AP) (11083)								1	
-34	4B9747	WASHER (AP) (11083)								1	
-35	5L8991	GASKET, Cover (11083)								1	
-36	7L5263	SCREW, Adjustment, low idle (11083)								1	
-37	3S1494	SCREW, Adjustment, high idle (11083)								1	
-38	2J157	PACKING, Preformed, o-ring (11083)								2	
-39	8L4154	COLLAR, Stop (11083)								1	
-40	9M4704	SCREW, Cap, soc hd (AP) (11083)								1	
-41	5S9607	NUT, Lock, hex (11083)								1	
-42	8L4155	SCREW, Set, soc hd (11083)								1	
-43	2S7289	COLLAR (11083)								1	
-44	2S7235	SPRING, Collar (11083)								1	
-45	4B2042	NUT, Hex (11083)								1	

FIG. & INDEX NO.	PART NUMBER	DESCRIPTION							UNITS PER ASSY	USABLE ON CODE
		1	2	3	4	5	6	7		
47-46 sh 1	2S7387	.	.	.	.	.	.	.	1	
-47	3B4501	.	.	.	.	.	.	.	1	
-48	8F1326	.	.	.	.	.	.	.	2	
-49	2S7307	.	.	.	.	.	.	.	2	
	8L4176	.	.	.	.	.	.	.	1	
-50	1B9575	.	.	.	.	.	.	.	1	
-51	8L4152	.	.	.	.	.	.	.	1	
-52	S1614	.	.	.	.	.	.	.	4	
-53	1S7336	.	.	.	.	.	.	.	2	
-54	8L4153	.	.	.	.	.	.	.	1	
-55	8L4158	.	.	.	.	.	.	.	1	
-56	2M2489	.	.	.	.	.	.	.	2	
-57	1S7984	.	.	.	.	.	.	.	1	
-58	8L4169	.	.	.	.	.	.	.	1	
-59	8L4156	.	.	.	.	.	.	.	1	
-60	2S9519	.	.	.	.	.	.	.	1	
-61	4F7957	.	.	.	.	.	.	.	2	
-62	9M6292	.	.	.	.	.	.	.	1	
-63	8M9062	.	.	.	.	.	.	.	1	
-64	1P6452	.	.	.	.	.	.	.	1	
-65	8S4317	.	.	.	.	.	.	.	1	
-66	3S602	.	.	.	.	.	.	.	1	
-67	2S7391	.	.	.	.	.	.	.	1	
-68	2S7390	.	.	.	.	.	.	.	2	
-69	1S4741	.	.	.	.	.	.	.	1	
-70	S1615	.	.	.	.	.	.	.	3	
-71	9M6293	.	.	.	.	.	.	.	1	
-72	7L8777	.	.	.	.	.	.	.	1	
-73	8M8997	.	.	.	.	.	.	.	1	
-74	7S8447	.	.	.	.	.	.	.	1	
	2N479	.	.	.	.	.	.	.	1	
-75	7B8105	.	.	.	.	.	.	.	1	
-76	2N477	.	.	.	.	.	.	.	2	
-77	1S5540	.	.	.	.	.	.	.	2	
-78	5S5059	.	.	.	.	.	.	.	1	
-79	3K810	.	.	.	.	.	.	.	1	
-80	7M7193	.	.	.	.	.	.	.	2	
-81	7M7219	.	.	.	.	.	.	.	1	
-82	8M8726	.	.	.	.	.	.	.	1	
-83	2S7	.	.	.	.	.	.	.	1	
-84	9M6302	.	.	.	.	.	.	.	2	
-85	9M6303	.	.	.	.	.	.	.	1	
-86	8M8739	.	.	.	.	.	.	.	1	
-87	2S8	.	.	.	.	.	.	.	1	
-88	8M8993	.	.	.	.	.	.	.	1	
-89	8H9181	.	.	.	.	.	.	.	1	
-90	8L9790	.	.	.	.	.	.	.	1	
-91	3S9639	.	.	.	.	.	.	.	1	
-92	9M4690	.	.	.	.	.	.	.	1	
-93	2P8763	.	.	.	.	.	.	.	1	
-94	1S9312	.	.	.	.	.	.	.	1	
-95	9M1216	.	.	.	.	.	.	.	1	
-96	8L8883	.	.	.	.	.	.	.	1	
-97	4N4063	.	.	.	.	.	.	.	1	
-98	9S4468	.	.	.	.	.	.	.	1	
-99	2F4159	.	.	.	.	.	.	.	1	
	9S4673	.	.	.	.	.	.	.	1	
-100	5H1351	.	.	.	.	.	.	.	1	
-101	4L9971	.	.	.	.	.	.	.	1	

FIG. & INDEX NO.	PART NUMBER	DESCRIPTION							UNITS PER ASSY	USABLE ON CODE	
		1	2	3	4	5	6	7			
47-102 sh 1	9M9788	.	.	.						1	
	7L457	.	.	.						1	
-103	9S4671	.	.	.						1	
-104	9S798	.	.	.						1	
-105	4F4585	.	.	.						1	
-106	8S134	.	.	.						1	
-107	2S7905	.	.	.						1	
-108	8M8403	.	.	.						1	
-109	7L456	.	.	.						1	
		.	.	.						1	

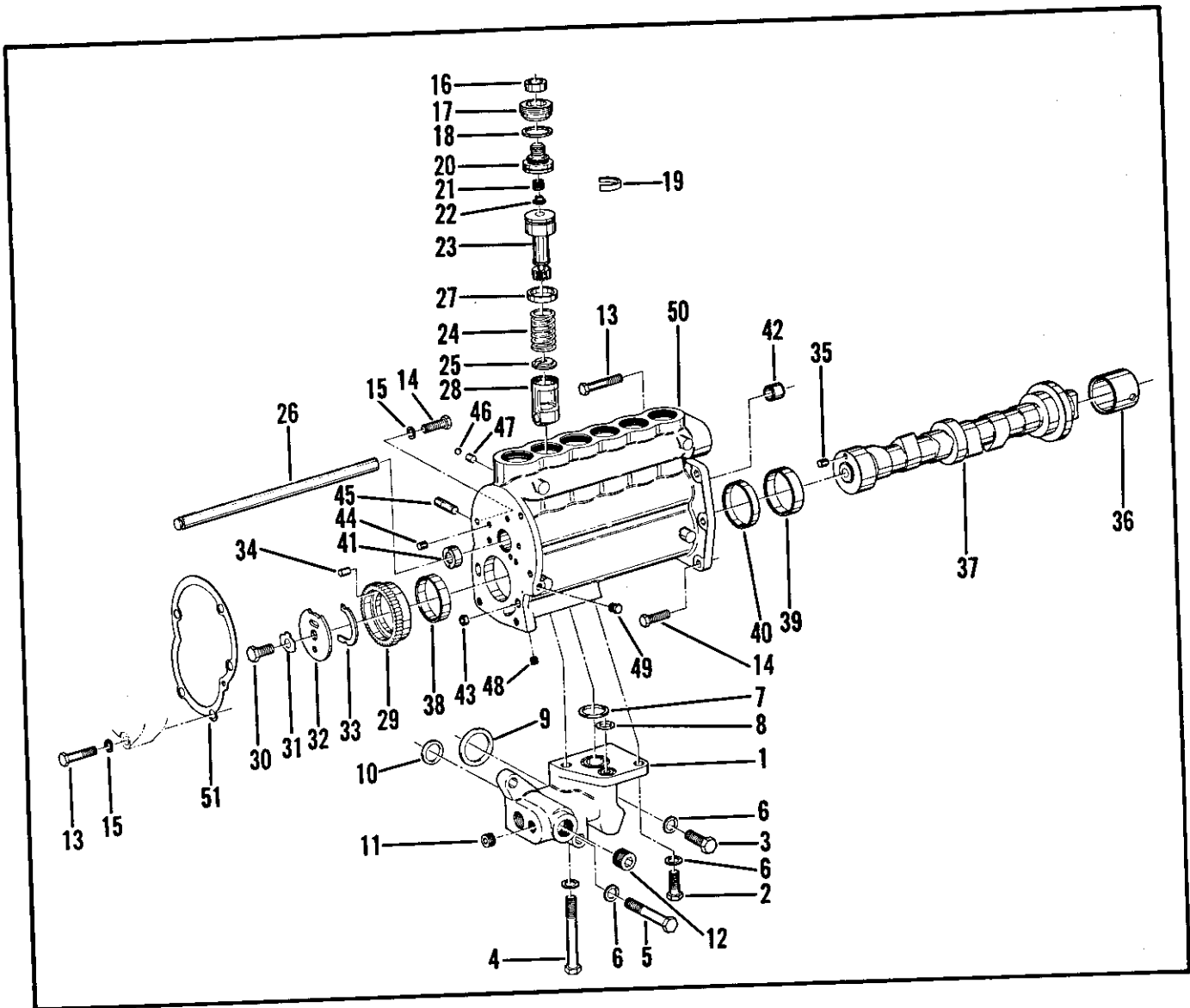


Figure 47. Governor assembly and fuel injection pump (sheet 2 of 2)

FIG. & INDEX NO.	PART NUMBER	DESCRIPTION	UNITS PER ASSY	USABLE ON CODE
			REF	
47-sh 2	NO NUMBER	GOVERNOR ASSEMBLY AND FUEL INJECTION PUMP (11083) (see figure 21-24 for NHA)	REF	
-1	3N3696	BRACKET (11083)	1	
-2	S1594	SCREW, Cap, hex hd (AP) (11083)	1	
-3	S1588	SCREW, Cap, hex hd (AP) (11083)	2	
-4	S1608	SCREW, Cap, hex hd (AP) (11083)	1	
-5	S1619	SCREW, Cap, hex hd (AP) (11083)	1	
-6	3B4506	WASHER, Lock, split (AP) (11083)	5	
-7	8M5248	PACKING, Preformed, o-ring (11083)	1	
-8	8M5260	PACKING, Preformed, o-ring (11083)	1	
-9	8M4987	PACKING, Preformed, o-ring (11083)	1	
-10	8M5253	PACKING, Preformed, o-ring (11083)	1	
-11	7H3171	PLUG (11083)	1	
-12	3L1850	PLUG (11083)	1	
	SR3157	FUEL INJECTION PUMP AND GOVERNOR GROUP, Basic (11083)	REF	
	3N3390	INJECTION PUMP, Fuel (11083)	1	



FIG. & INDEX NO.	PART NUMBER	DESCRIPTION							UNITS PER ASSY	USABLE ON CODE
		1	2	3	4	5	6	7		
47-13 sh 2	1B9575	. . .	. . .	. . .	. . .	. . .	. . .	. . .	REF	
-14	S1618	. . .	. . .	. . .	. . .	. . .	. . .	. . .	REF	
-15	3B4505	. . .	. . .	. . .	. . .	. . .	. . .	. . .	REF	
-16	8H9204	. . .	. . .	. . .	. . .	. . .	. . .	. . .	6	
-17	2M4314	. . .	. . .	. . .	. . .	. . .	. . .	. . .	6	
-18	1M1077	. . .	. . .	. . .	. . .	. . .	. . .	. . .	6	
-19	1M3506	. . .	. . .	. . .	. . .	. . .	. . .	. . .	6	
-20	4M411	. . .	. . .	. . .	. . .	. . .	. . .	. . .	6	
-21	9B1363	. . .	. . .	. . .	. . .	. . .	. . .	. . .	6	
-22	9H5746	. . .	. . .	. . .	. . .	. . .	. . .	. . .	6	
-23	9H5797	. . .	. . .	. . .	. . .	. . .	. . .	. . .	6	
-24	1S206	. . .	. . .	. . .	. . .	. . .	. . .	. . .	6	
-25	9H5729	. . .	. . .	. . .	. . .	. . .	. . .	. . .	6	
-26	2P8616	. . .	. . .	. . .	. . .	. . .	. . .	. . .	6	
-27	5M2697	. . .	. . .	. . .	. . .	. . .	. . .	. . .	6	
	2M4208	. . .	. . .	. . .	. . .	. . .	. . .	. . .	6	
	2M4209	. . .	. . .	. . .	. . .	. . .	. . .	. . .	6	
	2M4210	. . .	. . .	. . .	. . .	. . .	. . .	. . .	6	
	2M4211	. . .	. . .	. . .	. . .	. . .	. . .	. . .	6	
	2M4212	. . .	. . .	. . .	. . .	. . .	. . .	. . .	6	
	5M2691	. . .	. . .	. . .	. . .	. . .	. . .	. . .	6	
	5S7189	. . .	. . .	. . .	. . .	. . .	. . .	. . .	6	
-28	3S9735	. . .	. . .	. . .	. . .	. . .	. . .	. . .	6	
-29	5S5058	. . .	. . .	. . .	. . .	. . .	. . .	. . .	6	
-30	L472	. . .	. . .	. . .	. . .	. . .	. . .	. . .	1	
-31	2H3504	. . .	. . .	. . .	. . .	. . .	. . .	. . .	1	
-32	7M5940	. . .	. . .	. . .	. . .	. . .	. . .	. . .	1	
-33	1S214	. . .	. . .	. . .	. . .	. . .	. . .	. . .	1	
-34	8H9208	. . .	. . .	. . .	. . .	. . .	. . .	. . .	1	
	1M101	. . .	. . .	. . .	. . .	. . .	. . .	. . .	1	
-35	8H9208	. . .	. . .	. . .	. . .	. . .	. . .	. . .	1	
-36	1M690	. . .	. . .	. . .	. . .	. . .	. . .	. . .	1	
-37	3S1440	. . .	. . .	. . .	. . .	. . .	. . .	. . .	1	
	3N3389	. . .	. . .	. . .	. . .	. . .	. . .	. . .	1	
-38	2M8604	. . .	. . .	. . .	. . .	. . .	. . .	. . .	1	
-39	9H1284	. . .	. . .	. . .	. . .	. . .	. . .	. . .	1	
-40	1M1226	. . .	. . .	. . .	. . .	. . .	. . .	. . .	1	
-41	1S1953	. . .	. . .	. . .	. . .	. . .	. . .	. . .	1	
-42	9S4160	. . .	. . .	. . .	. . .	. . .	. . .	. . .	1	
-43	2A3746	. . .	. . .	. . .	. . .	. . .	. . .	. . .	1	
-44	4F6024	. . .	. . .	. . .	. . .	. . .	. . .	. . .	1	
-45	4M1474	. . .	. . .	. . .	. . .	. . .	. . .	. . .	1	
-46	1P232	. . .	. . .	. . .	. . .	. . .	. . .	. . .	3	
	1P231	. . .	. . .	. . .	. . .	. . .	. . .	. . .	6	
-47	1P234	. . .	. . .	. . .	. . .	. . .	. . .	. . .	6	
	1P233	. . .	. . .	. . .	. . .	. . .	. . .	. . .	6	
-48	3D4603	. . .	. . .	. . .	. . .	. . .	. . .	. . .	6	
-49	2S7905	. . .	. . .	. . .	. . .	. . .	. . .	. . .	1	
-50	5S7999	. . .	. . .	. . .	. . .	. . .	. . .	. . .	1	
-51	7L552	. . .	. . .	. . .	. . .	. . .	. . .	. . .	1	
		. . .	. . .	. . .	. . .	. . .	. . .	. . .	REF	

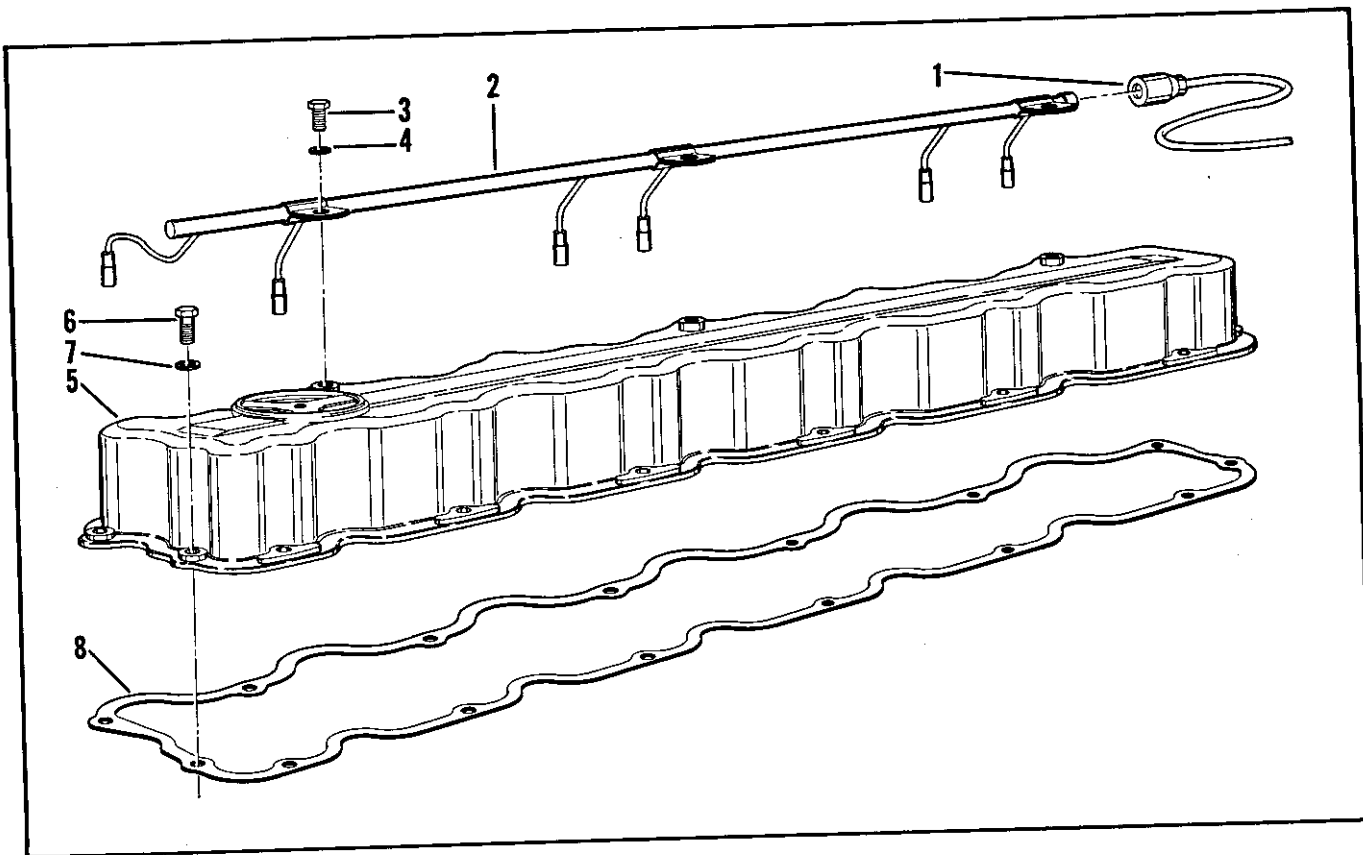


Figure 48. Valve cover and glow plug wiring group

FIG. & INDEX NO.	PART NUMBER	DESCRIPTION	UNITS PER ASSY	USABLE ON CODE
			1 2 3 4 5 6 7	
48-	NO NUMBER	VALVE COVER GROUP, And glow plug wiring (11083) (see figure 21-25 for NHA) .....	REF	
	5R3163	PLUG GROUP, Glow, 24V (11083) .....	1	
-1	7L6613	WIRE ASSEMBLY (11083) .....	1	
	3M6018	TERMINAL (11083) .....	1	
	2R1033	WASHER (11083) .....	1	
	2965803	SHELL (77060) .....	1	
	4S8737	WIRE, 12 ga x 59-1/2 in. lg (11083) .....	1	
-2	5S8479	LEAD ASSEMBLY (11083) .....	3	
-3	2H3755	SCREW, Cap, hex hd (11083) .....	3	
-4	9M1974	WASHER (11083) .....	1	
	2P6516	COVER GROUP, VALVE (11083) .....	1	
-5	5S6453	COVER ASSEMBLY (11083) .....	15	
-6	S1617	SCREW, Cap, hex hd (AP) (11083) .....	15	
-7	3B4505	WASHER, Lock, split (AP) (11083) .....	1	
-8	8S1605	GASKET (11083) .....		

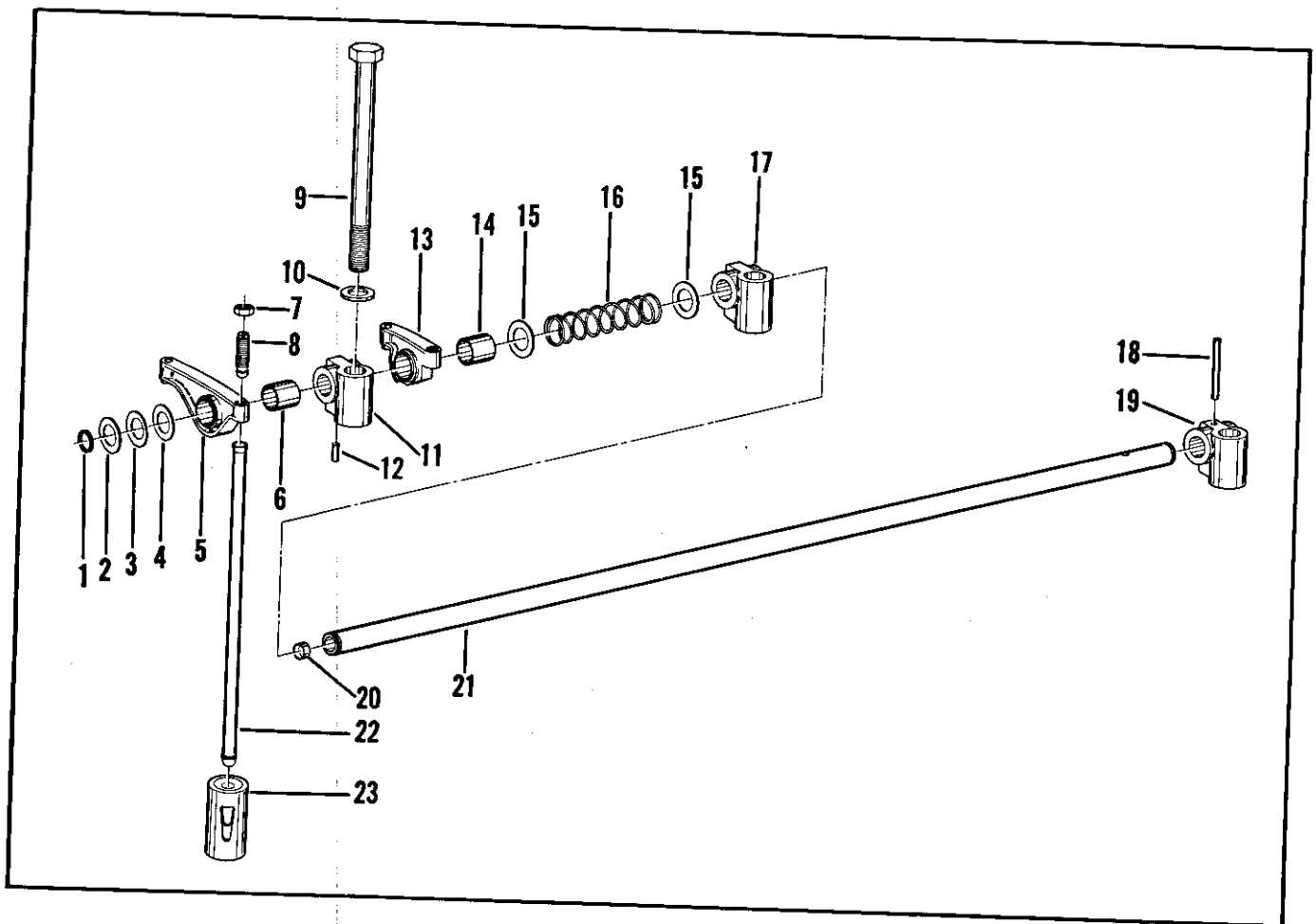


Figure 49. Valve mechanism and cylinder head group (sheet 1 of 2)

FIG. & INDEX NO.	PART NUMBER	DESCRIPTION	UNITS PER ASSY							USABLE ON CODE	
			1	2	3	4	5	6	7		
49-	NO NUMBER	VALVE MECHANISM, And cylinder head group (11083) (see figure 21-26 for NHA)								REF	
	2P6526	VALVE MECHANISM GROUP (11083)									
-1	9H1113	RING, Retaining (11083)									1
-2	9H1110	WASHER, Flat (11083)									2
-3	9H1112	WASHER, Spring (11083)									2
-4	9M9886	WASHER, Flat (11083)									2
-5	5S6855	ARM ASSEMBLY, Exhaust valve (11083)									6
-6	4F443	BEARING, Sleeve (11083)									6
-7	1B4203	NUT, Hex (11083)									12
-8	5S6917	SCREW, Adjusting (11083)									12
	8S1499	BRACKET ASSEMBLY (11083)									1
-9	1B7709	SCREW, Cap, hex hd (AP) (11083)									6
-10	2S736	WASHER, Flat (AP) (11083)									6
-11	8S1498	BRACKET (11083)									1
-12	3F6795	DOWEL (11083)									1
-13	5S6854	ARM ASSEMBLY, Intake valve (11083)									6
-14	4F443	BEARING, Sleeve (11083)									6
-15	9H1110	WASHER, Flat (11083)									10
-16	4B4910	SPRING, Shaft (11083)									5
-17	5S5878	BRACKET, Rocker arm (11083)									4
	9S9203	SHAFT ASSEMBLY (11083)									1

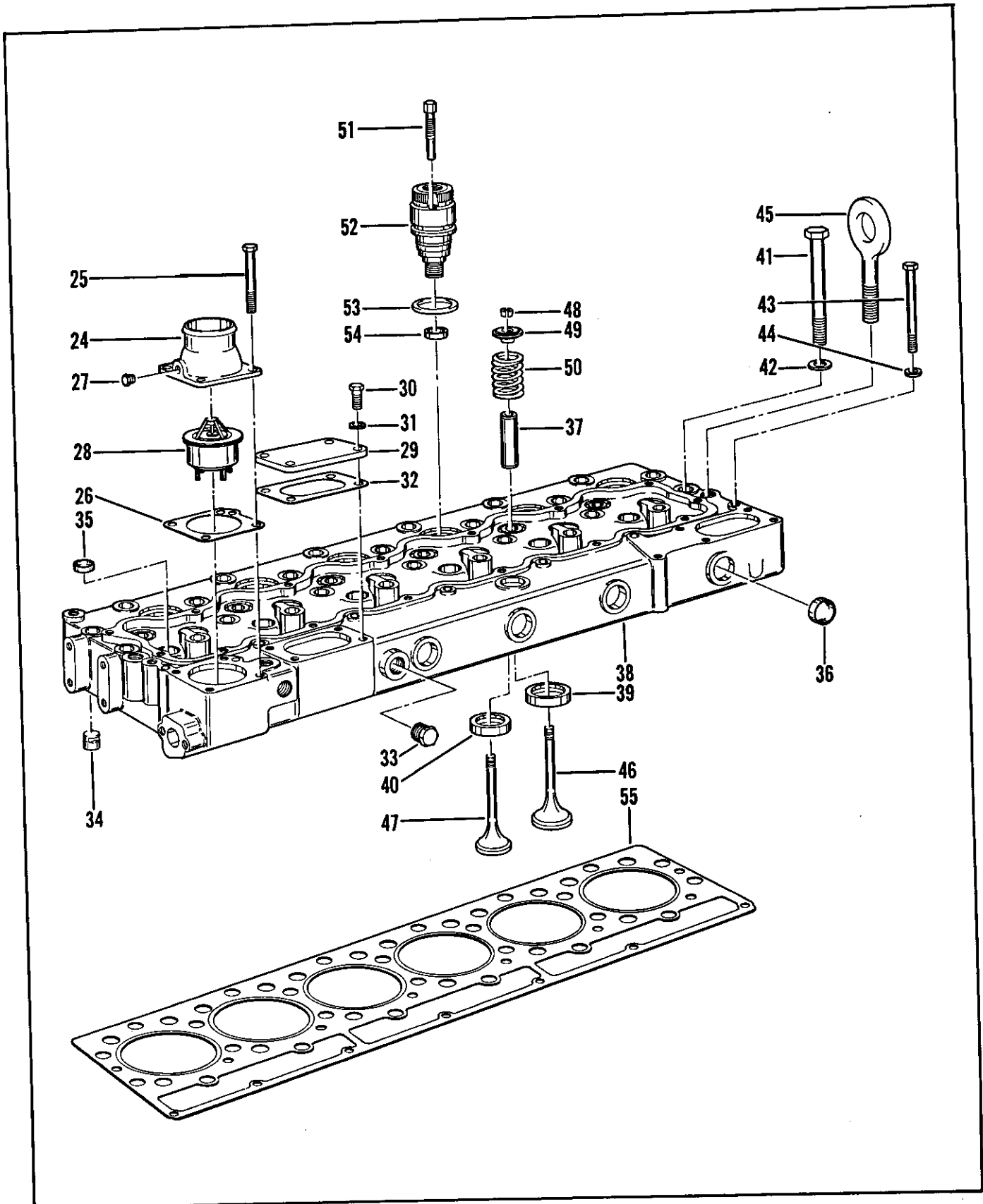


Figure 49. Valve mechanism and cylinder head group (sheet 2 of 2)

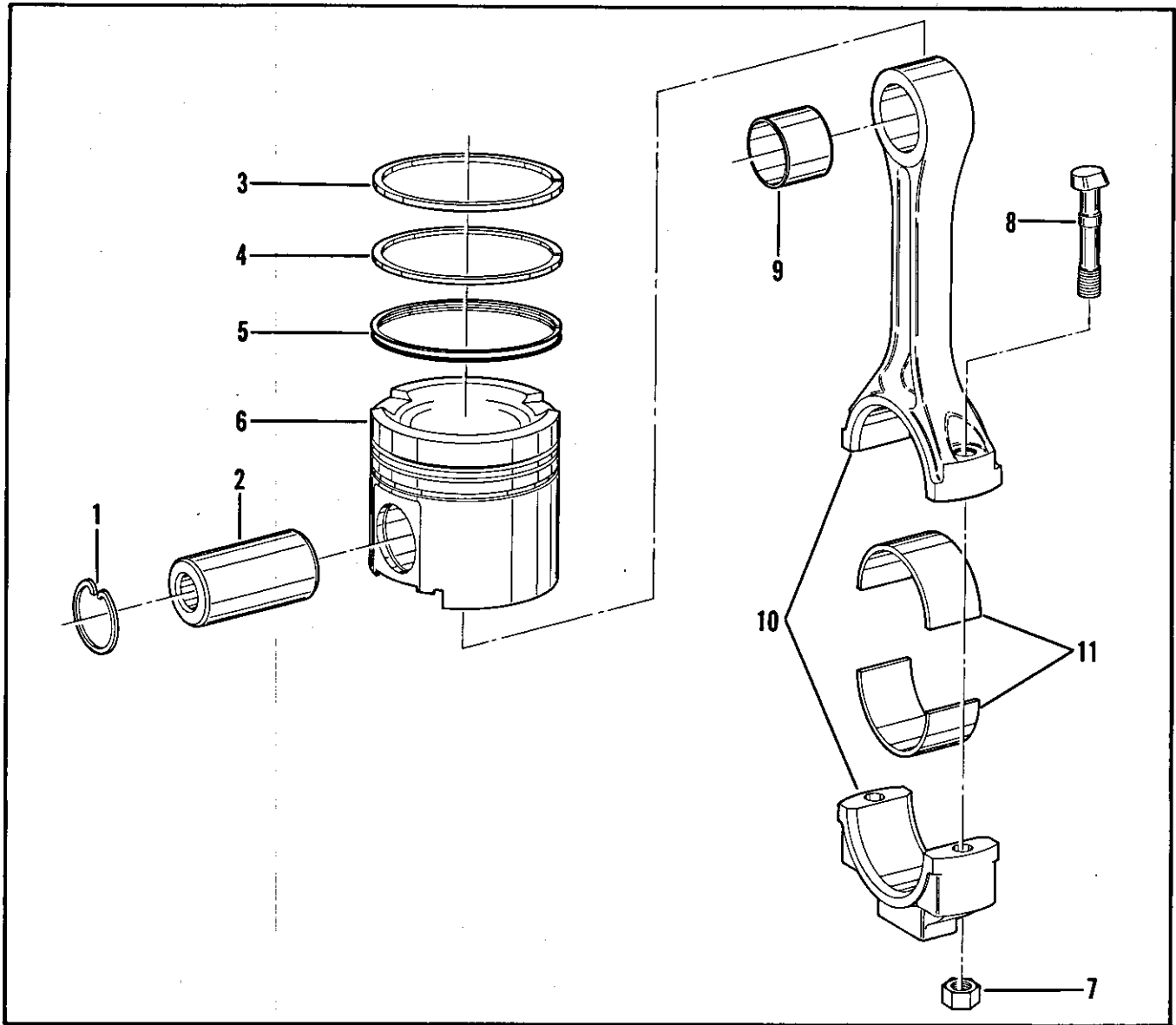


Figure 51. Connecting rod and piston assembly

FIG. & INDEX NO.	PART NUMBER	DESCRIPTION	UNITS PER ASSY							USABLE ON CODE	
			1	2	3	4	5	6	7		
51-	2P6272	PISTON ASSEMBLY, And connecting rod (11083) (see figure 21-28 for NHA) .....								REF	
	2P6271	. PISTON GROUP (11083) .....								1	
-1	1S9543	. RING, Retaining (AP) (11083) .....								2	
-2	8M6487	. PIN, Piston (AP) (11083) .....								1	
	7S9404	. . RING SET, Complete set for one piston (11083) .....								1	
-3	7S8378	. . . RING, Piston, top (11083) .....								1	
-4	5S6750	. . . RING, Piston, intermediate (11083) .....								1	
-5	9S7788	. . . RING, Piston, oil (11083) .....								1	
-6	NO NUMBER	. . PISTON (11083) .....								1	
	5S2793	. ROD ASSY, Connection (11083) .....								1	
-7	5S6348	. . NUT, Connecting rod cap (11083) .....								2	

FIG. & INDEX NO.	PART NUMBER	DESCRIPTION	UNITS	USABLE
			PER ASSY	ON CODE
51-8	1P9956	. . . BOLT, Connecting rod cap (11083) .....	2	
-9	7S9348	. . . BEARING, Piston pin (11083) .....	1	
-10	5S6202	. . . ROD, Connecting and cap (11083) .....	1	
-11	7M7821	. BEARING, Connecting rod, standard (11083) .....	1	
	2S502	. BEARING, Connecting rod, 0.010 in. undersize (11083) .....	1	
	2S503	. BEARING, Connecting rod, 0.020 in. undersize (11083) .....	1	
	7M7826	. BEARING, Connecting rod, 0.030 in. undersize (11083) .....	1	

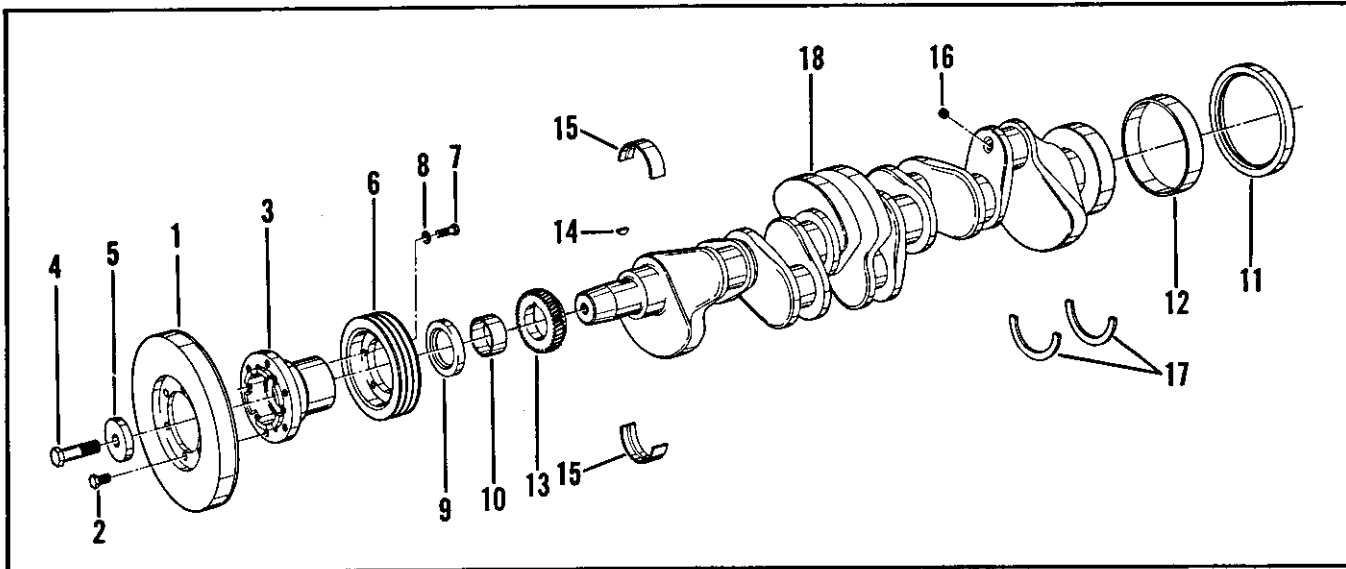


Figure 52. Crankshaft group

FIG. & INDEX NO.	PART NUMBER	DESCRIPTION	UNITS	USABLE
			PER ASSY	ON CODE
52-	NO NUMBER	CRANKSHAFT GROUP (11083) (see figure 21-29 for NHA) .....	REF	
	3N2885	. DAMPER GROUP (11083).....	1	
-1	9L2659	. . . DAMPER ASSY (11083) .....	1	
-2	S1621	. . . SCREW, Cap, hex hd (AP) (11083) .....	6	
	2P8598	. HUB GROUP, Crankshaft (11083) .....	1	
-3	2P1818	. . . HUB (11083) .....	1	
-4	7B5163	. . . SCREW, Cap, hex hd (AP) (11083) .....	1	
-5	5S9948	. . . WASHER, Hub (AP) (11083) .....	1	
	3N6934	. PULLEY GROUP (11083).....	1	
-6	3N6933	. . . PULLEY (11083) .....	1	
-7	S1588	. . . SCREW, Cap, hex hd (AP) (11083) .....	6	
-8	5M2894	. . . WASHER (AP) (11083) .....	6	
	2P6224	. CRANKSHAFT SEAL GROUP (11083).....	1	
-9	5S6296	. . . SEAL, Front (11083) .....	1	
-10	2P3859	. . . SLEEVE, Front seal (11083) .....	1	
-11	9S3111	. . . SEAL, Rear (11083) .....	1	
-12	2P3858	. . . SLEEVE, Rear seal (11083) .....	1	
	2P6222	. CRANKSHAFT GROUP (11083).....	1	
-13	4M9933	. . . GEAR, Crankshaft (11083) .....	1	
-14	5H2671	. . . KEY, Crankshaft gear (AP) (11083) .....	1	

FIG. & INDEX NO.	PART NUMBER	DESCRIPTION							UNITS PER ASSY	USABLE ON CODE
		1	2	3	4	5	6	7		
49-18	5M4606	.	.	.	.	.	.	.		
-19	5S5879	.	.	.	.	.	.	.	1	
-20	L1026	.	.	.	.	.	.	.	1	
-21	9S9201	.	.	.	.	.	.	.	1	
-22	5S5918	.	.	.	.	.	.	.	1	
-23	7S3161	.	.	.	.	.	.	.	12	
	3N3271	.	.	.	.	.	.	.	12	
-24	1P9989	.	.	.	.	.	.	.	1	
-25	2P3201	.	.	.	.	.	.	.	1	
-26	2P2715	.	.	.	.	.	.	.	4	
-27	5M6213	.	.	.	.	.	.	.	1	
-28	2P3768	.	.	.	.	.	.	.	1	
	4N7446	.	.	.	.	.	.	.	1	
-29	1P6367	.	.	.	.	.	.	.	1	
-30	S1594	.	.	.	.	.	.	.	1	
-31	3B4506	.	.	.	.	.	.	.	4	
-32	5S6735	.	.	.	.	.	.	.	4	
-33	3J5389	.	.	.	.	.	.	.	1	
-34	1S3062	.	.	.	.	.	.	.	3	
-35	3B623	.	.	.	.	.	.	.	18	
-36	3S8313	.	.	.	.	.	.	.	6	
-37	2P1262	.	.	.	.	.	.	.	7	
-38	2P6497	.	.	.	.	.	.	.	12	
-39	5S7218	.	.	.	.	.	.	.	1	
-40	5S7221	.	.	.	.	.	.	.	6	
	2P6546	.	.	.	.	.	.	.	6	
-41	1D4595	.	.	.	.	.	.	.	1	
-42	2S736	.	.	.	.	.	.	.	20	
-43	1A5183	.	.	.	.	.	.	.	20	
-44	5B3850	.	.	.	.	.	.	.	7	
-45	5L4544	.	.	.	.	.	.	.	7	
	3N3916	.	.	.	.	.	.	.	2	
-46	7S6767	.	.	.	.	.	.	.	1	
-47	7S8809	.	.	.	.	.	.	.	6	
-48	2A4429	.	.	.	.	.	.	.	6	
-49	5S5912	.	.	.	.	.	.	.	24	
-50	7S7144	.	.	.	.	.	.	.	12	
-51	1P7324	.	.	.	.	.	.	.	12	
-52	8S3970	.	.	.	.	.	.	.	6	
-53	7S3206	.	.	.	.	.	.	.	6	
-54	2S8966	.	.	.	.	.	.	.	6	
-55	5S6281	.	.	.	.	.	.	.	6	
		.	.	.	.	.	.	.	1	

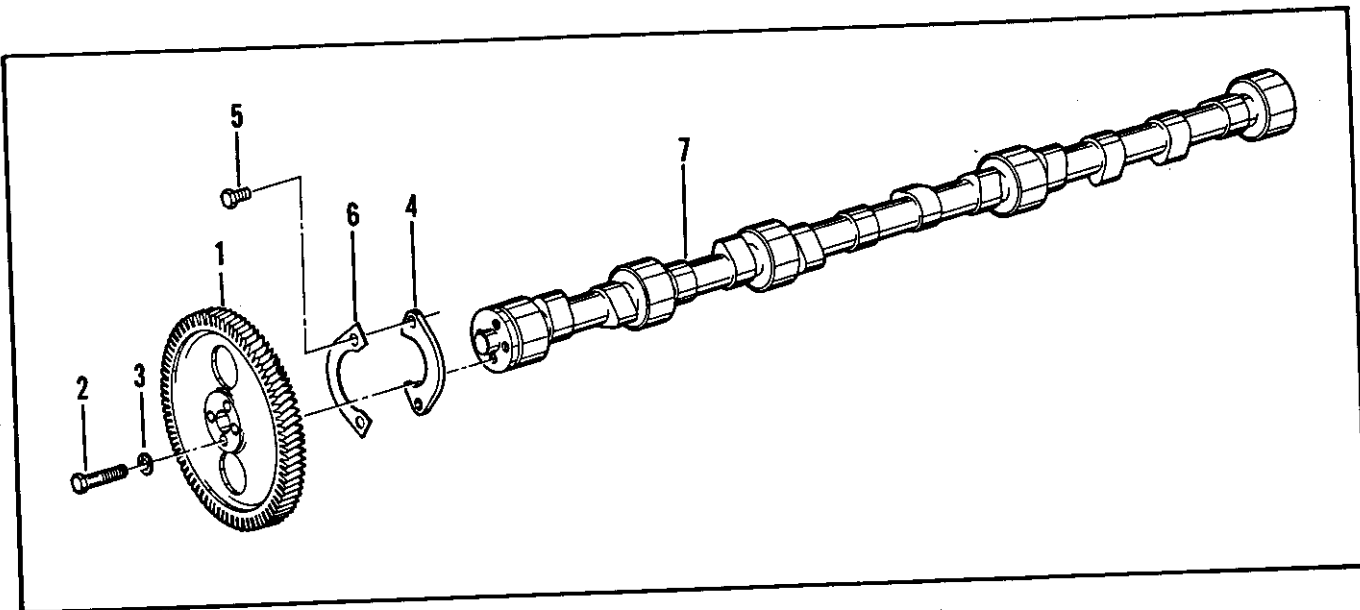


Figure 50. Camshaft group

FIG. & INDEX NO.	PART NUMBER	DESCRIPTION							UNITS PER ASSY	USABLE ON CODE
		1	2	3	4	5	6	7		
50-	2P6202	CAMSHAFT GROUP (11083) (see figure 21-27 for NHA) .....							REF	
-1	5S3804	. GEAR, Camshaft (11083) .....							1	
-2	S1748	. SCREW, Cap, hex hd (AP) (11083) .....							4	
-3	5M2894	. WASHER (AP) (11083) .....							4	
-4	7S2204	. WASHER, Thrust (11083) .....							1	
-5	S509	. SCREW, Cap, hex hd (AP) (11083) .....							2	
-6	8S1491	. LOCK, Screw (AP) (11083) .....							1	
-7	5S3972	. CAMSHAFT (11083) .....							1	



FIG. & INDEX NO.	PART NUMBER	DESCRIPTION							UNITS PER ASSY	USABLE ON CODE	
		1	2	3	4	5	6	7			
52-15	3S9730	.	.	BEARING, Crankshaft (11083)	.....				7		
	2P1444	.	.	BEARING REPLACEMENT GROUP, Standard crankshaft (11083)	....				1		
	3S9730	.	.	BEARING (11083)	.....				7		
	9S3037	.	.	PLATE, Thrust (11083)	.....				2		
	2P1445	.	.	BEARING REPLACEMENT GROUP, 0.010 undersize crankshaft.....					1		
					(11083)						
	4S8881	.	.	BEARING (11083)	.....				7		
	9S3037	.	.	PLATE, Thrust (11083)	.....				2		
	2P1446	.	.	BEARING REPLACEMENT GROUP, 0.020 undersize crankshaft.....					1		
					(11083)						
	4S8883	.	.	BEARING (11083)	.....				7		
	9S3037	.	.	PLATE, Thrust (11083)	.....				2		
	2P1447	.	.	BEARING REPLACEMENT GROUP, 0.030 undersize crankshaft	.....				1		
					(11083)						
	4S8885	.	.	BEARING (11083)	.....				7		
	9S3037	.	.	PLATE, Thrust (11083)	.....				2		
-16	9F2247	.	.	PLUG (11083)	.....				6		
-17	9S3037	.	.	PLATE, Thrust (11083)	.....				2		
-18	2P6221	.	.	CRANKSHAFT (11083) (for field replacement, order 9S3056	.....				1		
				crankshaft assy plus two 9S3037 plates, one 5S6296 seal, one							
				9S3111 seal, and one 9S3038 seal)							

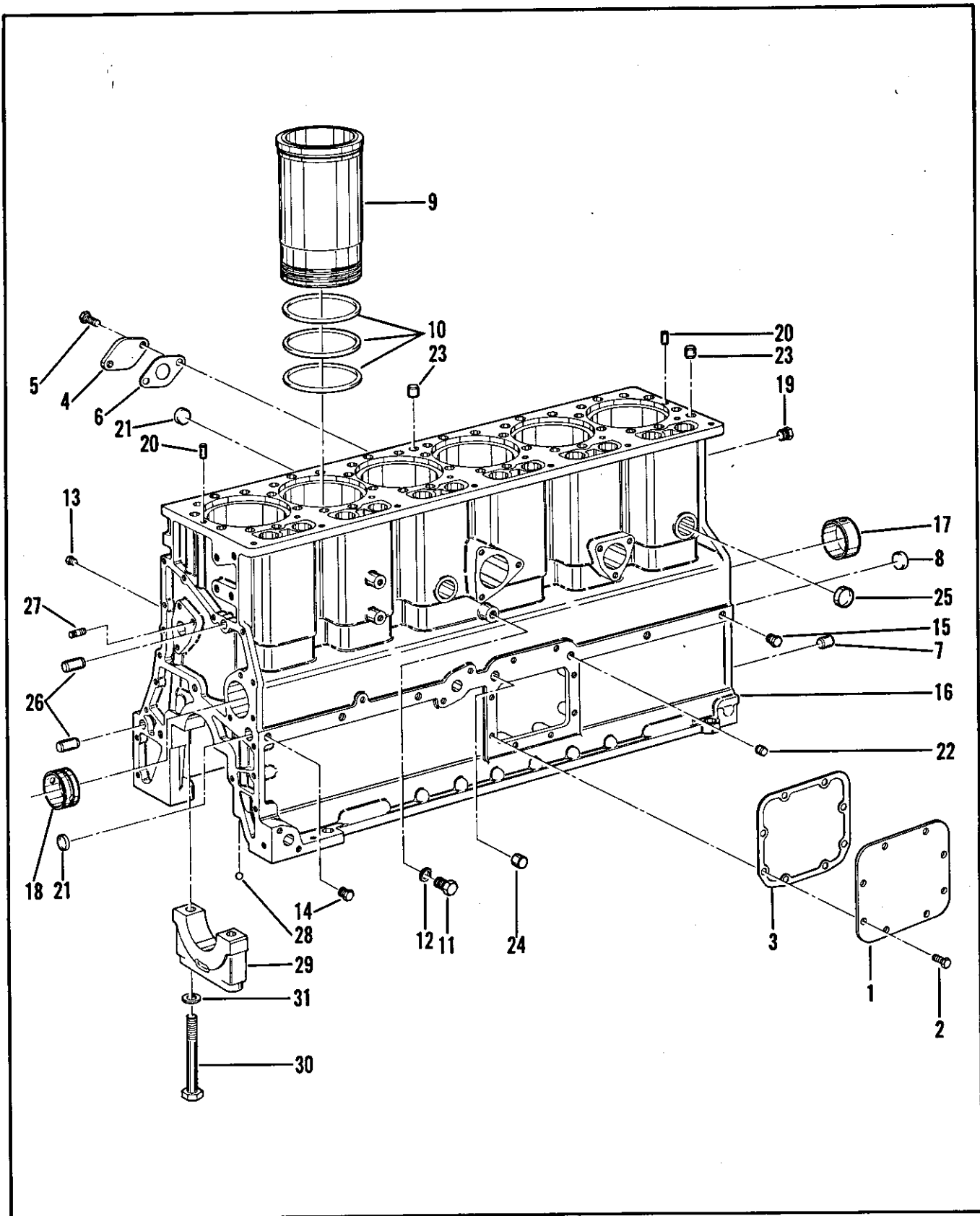


Figure 53. Cylinder block assembly

FIG. & INDEX NO.	PART NUMBER	DESCRIPTION 1 2 3 4 5 6 7	UNITS	USABLE
			PER ASSY	ON CODE
53-	NO NUMBER	CYLINDER BLOCK ASSEMBLY (11083) (See figure 21-30 for NHA) .....	REF	
	5R3041	. COVER GROUP (11083) .....	1	
-1	8S876	. . COVER, Cylinder block (11083) .....	1	
-2	2P3200	. . SCREW, Cap, hex hd (AP) (11083) .....	8	
-3	8S877	. . GASKET, Cover (11083) .....	1	
-4	1M130	. . COVER, Cylinder block (11083) .....	1	
-5	2P3201	. . SCREW, Cap, hex hd (AP) (11083) .....	2	
-6	4M6480	. . GASKET, Cover (11083) .....	1	
-7	2A3798	. . DOWEL (11083) .....	2	
-8	4B3938	. . PLUG, Cup (11083) .....	1	
	2P6560	. CYLINDER BLOCK GROUP (11083) .....	1	
-9	2P8889	. . LINER, Cylinder (11083) .....	6	
-10	5S6670	. . SEAL, Liner (11083) .....	18	
-11	8M9307	. . PLUG, Drain (11083) .....	1	
-12	6F7062	. . GASKET, Plug (11083) .....	1	
-13	5M6214	. . PLUG, Block (11083) .....	1	
-14	7H3171	. . PLUG, Block (11083) .....	1	
-15	5M6213	. . PLUG, Block (11083) .....	4	
-16	2P8776	. . BLOCK ASSEMBLY, Cylinder (11083) .....	1	
-17	7M4046	. . . BEARING, Sleeve (11083) .....	4	
-18	9M5477	. . . BEARING, Sleeve (11083) .....	1	
-19	5M6213	. . . PLUG (11083) .....	1	
-20	8B1312	. . . DOWEL (11083) .....	2	
-21	4B5387	. . . PLUG (11083) .....	2	
-22	1H974	. . . DOWEL (11083) .....	1	
-23	5B7652	. . . DOWEL (11083) .....	2	
-24	8S835	. . . DOWEL (11083) .....	1	
-25	3S8313	. . . PLUG, Cup (11083) .....	2	
-26	8B6349	. . . DOWEL (11083) .....	2	
-27	5S8462	. . . STUD (11083) .....	1	
-28	4B9782	. . . BALL, Steel (11083) .....	1	
-29	1P2717	. . . CAP, Bearing (11083) .....	7	
-30	7S3224	. . . SCREW, Cap, hex hd (AP) (11083) .....	14	
-31	2S5658	. . . WASHER (AP) (11083) .....	14	
	NO NUMBER	. . . BLOCK, Cylinder (11083) (not serviced separately) .....	1	

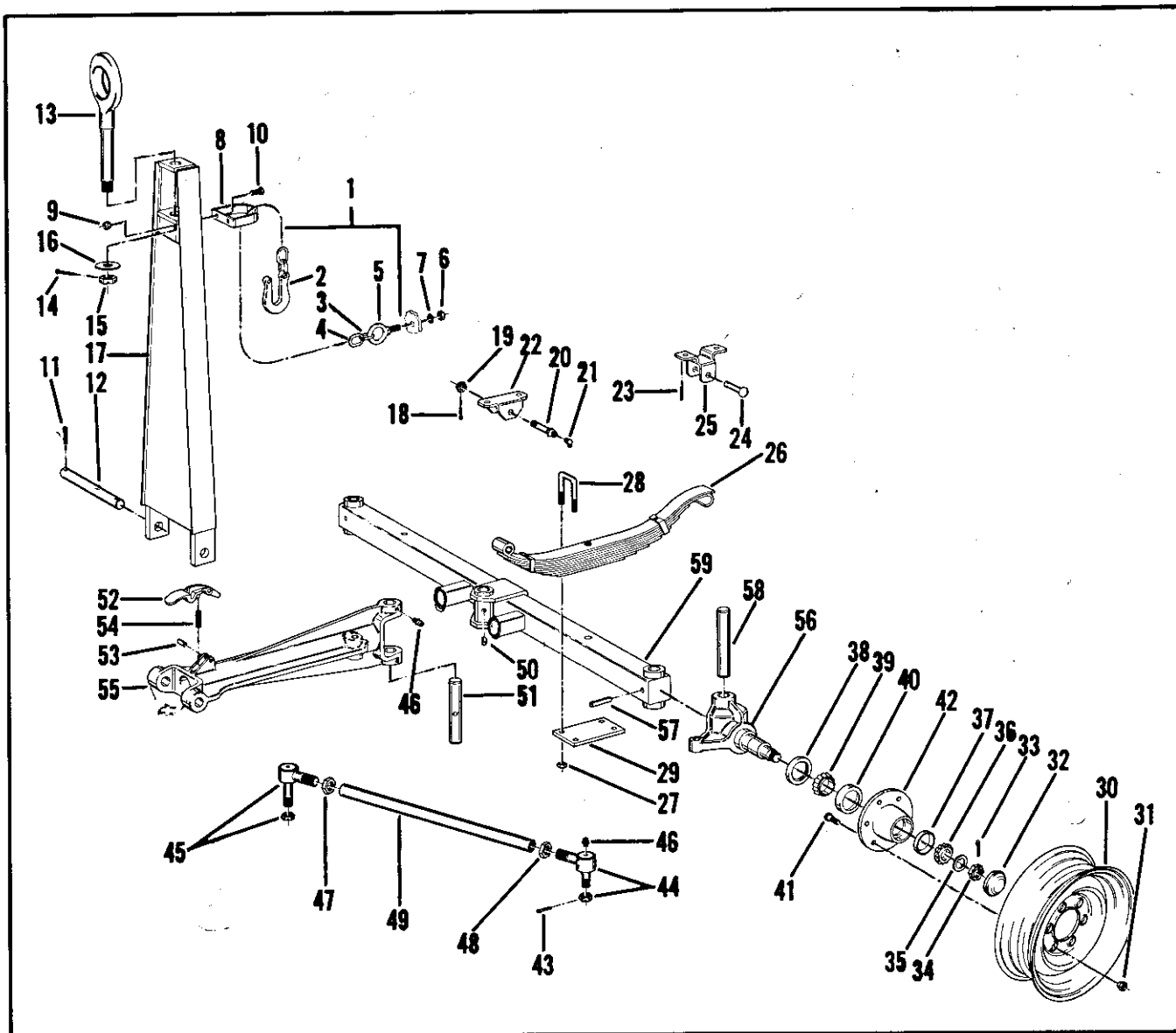


Figure 54. Drawbar and front axle group

FIG. & INDEX NO.	PART NUMBER	DESCRIPTION	UNITS	USABLE ON CODE
			PER ASSY	
54-	NO NUMBER	DRAWBAR AND FRONT AXLE GROUP (See figure 1-42 for NHA) .....	REF	
-1	61144	. CHAIN ASSEMBLY, Safety .....	2	
-2	49499	. . HOOK, Safety .....	1	
-3	49497	. . LINK, Connecting .....	2	
-4	49496	. . CHAIN, Link, 3/8 in. by 84 in. lg .....	1	
-5	24636	. . BOLT, Eye .....	1	
-6	COML	. NUT, Hex, 1/2-13NC (AP) .....	2	
-7	COML	. WASHER, Lock, split, 1/2 in. (AP) .....	2	
-8	49498	. BRACKET, Safety chain .....	1	
-9	COML	. NUT, Lock, hex, 3/8-16NC (AP) .....	2	
-10	COML	. SCREW, Cap, hex hd, 3/8-16NC x 1 in. lg (AP) .....	2	
	1-3508	. DRAWBAR ASSEMBLY (22938) .....	1	

FIG. & INDEX NO.	PART NUMBER	DESCRIPTION							UNITS PER ASSY	USABLE ON CODE	
		1	2	3	4	5	6	7			
54-11	4800-6	.	.	.	.	.	.	.	PIN, Cotter, 1/4 in. by 1-1/2 in. lg (AP) (22938)	2	
-12	5406-2	.	.	.	.	.	.	.	PIN, Hinge (AP) (22938)	1	
-13	6504	.	.	.	.	.	.	.	LUNETTE EYE (22938)	1	
-14	4800-13	.	.	.	.	.	.	.	PIN, Cotter, 3/16 in. by 2-1/2 in. lg (AP) (22938)	1	
-15	4600-14	.	.	.	.	.	.	.	NUT, Hex slotted, 1"-14UNF-2B (AP) (22938)	1	
-16	4701-22	.	.	.	.	.	.	.	WASHER, Flat, 1-1/16ID, 2-1/2OD, 11/64 in. thk (AP) (22938)	1	
-17	3508-1	.	.	.	.	.	.	.	DRAWBAR WELDMENT (22938)	1	
	219-2298	.	.	.	.	.	.	.	AXLE ASSEMBLY, Front (22938)	1	
	1-4250	.	.	.	.	.	.	.	BRACKET ASSY, Spring, front (22938)	2	
-18	4800-3	.	.	.	.	.	.	.	PIN, Cotter (AP) (22938)	1	
-19	4600-3	.	.	.	.	.	.	.	NUT, Hex slotted (AP) (22938)	1	
-20	5402-2	.	.	.	.	.	.	.	BOLT, Shackle, front (AP) (22938)	1	
-21	5802	.	.	.	.	.	.	.	FITTING, Lube (22938)	1	
-22	4250	.	.	.	.	.	.	.	BRACKET, Spring, front (22938)	1	
	1-4251	.	.	.	.	.	.	.	BRACKET ASSY, Spring, rear (22938)	2	
-23	4800-3	.	.	.	.	.	.	.	PIN, Cotter (AP) (22938)	1	
-24	5403-1	.	.	.	.	.	.	.	RIVET (AP) (22938)	1	
-25	4251	.	.	.	.	.	.	.	BRACKET, Spring, rear (22938)	1	
-26	1-4010-5	.	.	.	.	.	.	.	SPRING (22938)	2	
-27	4601-8	.	.	.	.	.	.	.	NUT, Lock, hex, 9/16-18UNF (AP) (22938)	8	
-28	5101-11	.	.	.	.	.	.	.	U-BOLT, Spring, 9/16-18UNF-2A (AP) (22938)	4	
-29	5600-12	.	.	.	.	.	.	.	PLATE, Tie, spring (22938)	2	
-30	3721-3	.	.	.	.	.	.	.	WHEEL, 16X5.5 SDC (22938)	2	
	2-3605	.	.	.	.	.	.	.	HUB ASSEMBLY, Front (22938)	2	
-31	4603-1	.	.	.	.	.	.	.	NUT, Stud, wheel (22938)	6	
-32	6310	.	.	.	.	.	.	.	CAP, Grease (22938)	1	
-33	4800-5	.	.	.	.	.	.	.	PIN, Cotter, spindle, 1/8 in. x 2 in. lg (22938)	2	
-34	4600-6	.	.	.	.	.	.	.	NUT, Spindle, 7/8-14 slotted hex (22938)	2	
-35	4702-3	.	.	.	.	.	.	.	WASHER, Spindle (22938)	2	
-36	LM67048	.	.	.	.	.	.	.	CONE, Bearing, outer (60038)	1	
-37	LM67010	.	.	.	.	.	.	.	CUP, Bearing, outer (60038)	1	
-38	6309	.	.	.	.	.	.	.	SEAL, Grease (22938)	1	
-39	25580	.	.	.	.	.	.	.	CONE, Bearing, inner (60038)	1	
-40	25520	.	.	.	.	.	.	.	CUP, Bearing, inner (60038)	1	
-41	NO NUMBER	.	.	.	.	.	.	.	STUD, Wheel (22938)	6	
-42	NO NUMBER	.	.	.	.	.	.	.	HUB, Front (22938)	1	
	3905-291	.	.	.	.	.	.	.	TIE ROD ASSEMBLY (22938)	2	
-43	4800-1	.	.	.	.	.	.	.	PIN, Cotter, 1/8 in. x 1-1/2 in. lg (AP) (22938)	2	
-44	3953	.	.	.	.	.	.	.	BALL JOINT, Knuckle end, with nut (22938)	1	
-45	3954	.	.	.	.	.	.	.	BALL JOINT, Center arm, with nut (22938)	1	
-46	5800	.	.	.	.	.	.	.	FITTING, Lube (22938)	5	
-47	4605-1	.	.	.	.	.	.	.	NUT, Jam, 1"-16, LH thd (22938)	1	
-48	4605-2	.	.	.	.	.	.	.	NUT, Jam, 1"-16, RH thd (22938)	1	
-49	3902-251	.	.	.	.	.	.	.	TUBE, Tie rod (22938)	1	
	1-3852	.	.	.	.	.	.	.	ARM ASSY, Center (22938)	1	
-50	5000-8	.	.	.	.	.	.	.	PIN, Roll (AP) (22938)	1	
-51	5408	.	.	.	.	.	.	.	PIN, Center (AP) (22938)	1	
-52	3853	.	.	.	.	.	.	.	PEDAL, Latch (22938)	1	
-53	5000-1	.	.	.	.	.	.	.	PIN, Roll (AP) (22938)	1	
-54	4006	.	.	.	.	.	.	.	SPRING, Latch (22938)	1	
-55	3852	.	.	.	.	.	.	.	ARM, Center (22938)	1	
-56	4-3807	.	.	.	.	.	.	.	SPINDLE-KNUCKLE ASSY, RH (22938)	1	
	3-3807	.	.	.	.	.	.	.	SPINDLE-KNUCKLE ASSY, LH (22938)	1	
-57	5000-8	.	.	.	.	.	.	.	PIN, Roll (AP) (22938)	2	
-58	5408	.	.	.	.	.	.	.	PIN, King (AP) (22938)	2	
-59	219-229X-1	.	.	.	.	.	.	.	BEAM ASSY, Axle (22938)	1	

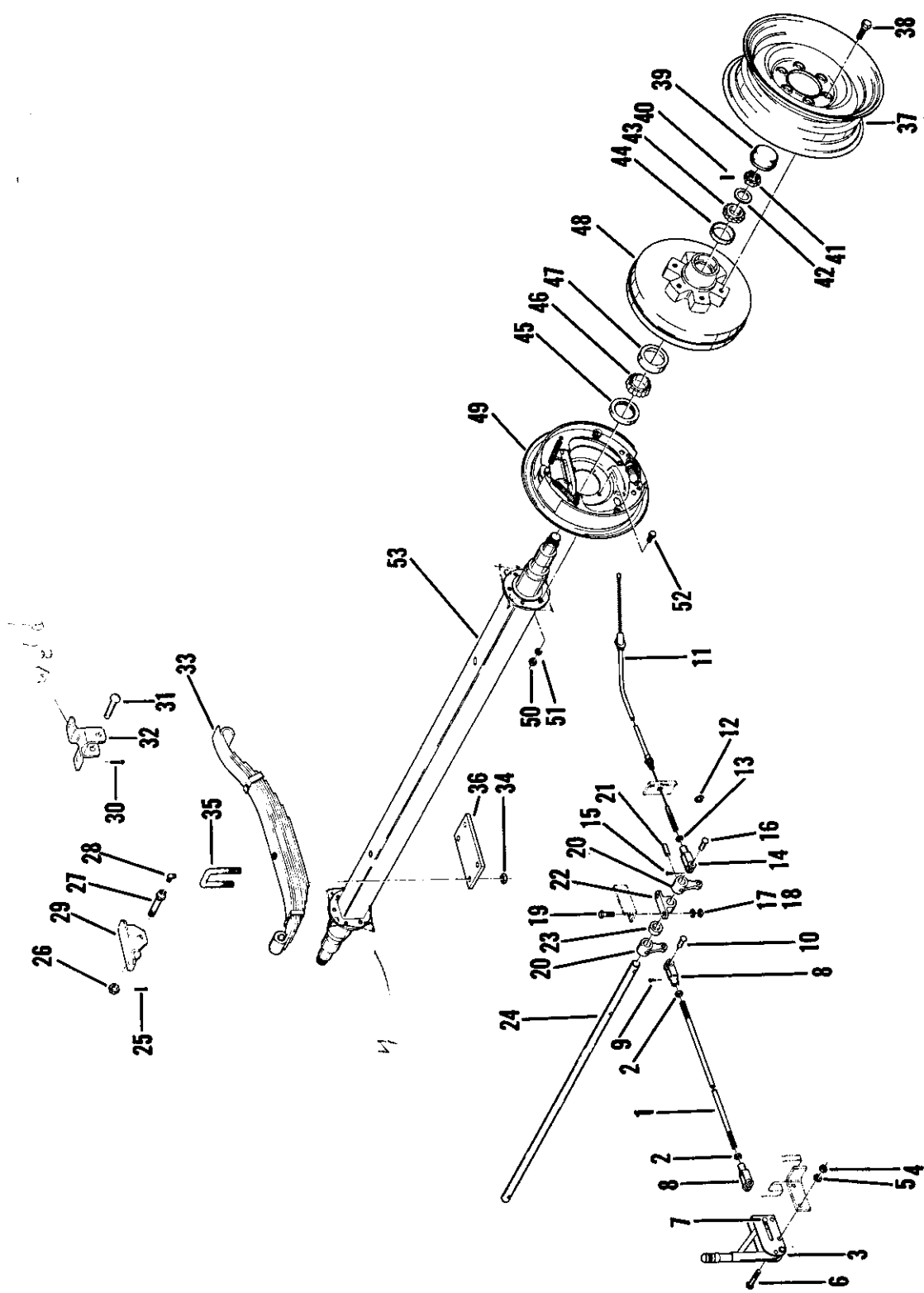


Figure 55. Handbrake lever, cross shaft, and rear axle group

FIG. & INDEX NO.	PART NUMBER	DESCRIPTION	UNITS	USABLE
			PER ASSY	ON CODE
		1 2 3 4 5 6 7		
55-	NO NUMBER	HANDBRAKE LEVER, CROSS SHAFT, AND REAR AXLE GROUP .....	REF	
		(See figure 1-43 for NHA)		
	219-5901	HANDBRAKE LEVER AND CROSS SHAFT (22938) .....	1	
-1	65445	ROD, Actuating, parking brake .....	1	
-2	4601-5	NUT, Hex, yoke, 3/8-24NF (AP) (22938) .....	2	
-3	1-5904	LEVER ASSY, Handbrake (22938) .....	1	
-4	COML	NUT, Hex, 3/8-16NC (AP) .....	2	
-5	COML	WASHER, Lock, split, 3/8 in. (AP) .....	2	
-6	COML	SCREW, Cap, hex hd, 3/8-16NC x 2-1/2 in. lg (AP) .....	2	
-7	5204	SPACER, Handbrake lever (22938) .....	2	
-8	5205	YOKE, Cable (22938) .....	2	
-9	4800-7	PIN, Cotter, 3/32 in. x 5/8 in. lg (AP) (22938) .....	1	
-10	5206	PIN, Yoke (AP) (22938) .....	1	
-11	2-8311	CABLE ASSEMBLY, Brake (22938) .....	2	
-12	5280-2	RING, Retaining (AP) (22938) .....	2	
-13	4601-5	NUT, Hex, yoke, 3/8-24NF (AP) (22938) .....	2	
-14	5205	YOKE, Cable (22938) .....	2	
-15	4800-7	PIN, Cotter, 3/32 in. x 5/8 in. lg (AP) (22938) .....	2	
-16	5206	PIN, Yoke (AP) (22938) .....	2	
	NO NUMBER	CROSS SHAFT GROUP (22938) .....	1	
-17	COML	NUT, Hex, 3/8-16NC (AP) .....	4	
-18	COML	WASHER, Lock, split, 3/8 in. (AP) .....	4	
-19	COML	SCREW, Cap, hex hd, 3/8-16NC x 1-1/4 in. lg (AP) .....	4	
-20	5909	LEVER, Shaft, (22938) .....	3	
-21	5000-2	PIN, Roll, 5/16 in. dia x 1-1/4 in. lg (AP) (22938) .....	3	
-22	5908	BEARING, Cross shaft (22938) .....	2	
-23	6319-2	COLLAR, Setscrew (22938) .....	2	
-24	5910-219	CROSS SHAFT (22938) .....	1	
	219-2248	AXLE ASSY, Rear (22938) .....	1	
	1-4250	BRACKET ASSY, Spring, front (22938) .....	2	
-25	4800-3	PIN, Cotter, 1/8 in. x 1 in. lg (AP) (22938) .....	1	
-26	4600-3	NUT, Hex, slot hd, 9/16-18NF (AP) (22938) .....	1	
-27	5402-2	BOLT, Shackle (AP) (22938) .....	1	
-28	5802	FITTING, Lube (22938) .....	1	
-29	4250	BRACKET, Spring, front (22938) .....	1	
	1-4251	BRACKET ASSY, Spring, rear (22938) .....	2	
-30	4800-3	PIN, Cotter, 1/8 in. x 1 in. lg (AP) (22938) .....	1	
-31	5403-1	RIVET (AP) (22938) .....	1	
-32	4251	BRACKET, Spring, rear (22938) .....	1	
-33	1-4010-5	SPRING (22938) .....	2	
-34	4601-8	NUT, Lock, hex, 9/16-18NF (AP) (22938) .....	8	
-35	5101-11	U-BOLT, Spring (AP) (22938) .....	4	
-36	5600-12	PLATE, Tie, spring (22938) .....	2	
-37	3721-3	WHEEL, 16x5.5 SDC (22938) .....	2	
-38	4912	BOLT, Wheel (AP) (22938) .....	12	
	1-3605	HUB AND DRUM ASSY (22938) .....	2	
-39	6310	CAP, Grease (22938) .....	1	
-40	4800-5	PIN, Cotter, spindle, 1/8 in. x 2 in. lg (AP) (22938) .....	2	
-41	4600-6	NUT, Hex, slotted, 7/8-14NF (AP) (22938) .....	2	
-42	4702-3	WASHER, Spindle (AP) (22938) .....	2	
-43	LM67048	CONE, Bearing, outer (60038) .....	1	
-44	LM67010	CUP, Bearing, outer (60038) .....	1	
-45	6309	SEAL, Grease (22938) .....	1	
-46	25580	CONE, Bearing, inner (60038) .....	1	
-47	25520	CUP, Bearing, inner (60038) .....	1	
-48	3605-1	HUB AND DRUM, Brake (22938) .....	1	
-49	3201919L	BRAKE ASSEMBLY, LH (14892) (22938 No. 8214-7) (see figure 56 for details) .....	1	
	3201920R	BRAKE ASSEMBLY, RH (14892) (22938 No. 8214-8) (see figure 56 for details) .....	1	

FIG. & INDEX NO.	PART NUMBER	DESCRIPTION	UNITS	USABLE
			PER ASSY	ON CODE
55-50	4601-5	NUT, Hex, 3/8-24NF (AP) (22938)	10	
-51	4700-4	WASHER, Lock, split, 3/8 in. (AP) (22938)	10	
-52	4901-7	BOLT, Mounting, brake (AP) (22938)	10	
-53	219-2248-2	BEAM ASSEMBLY, Axle (22938)	1	

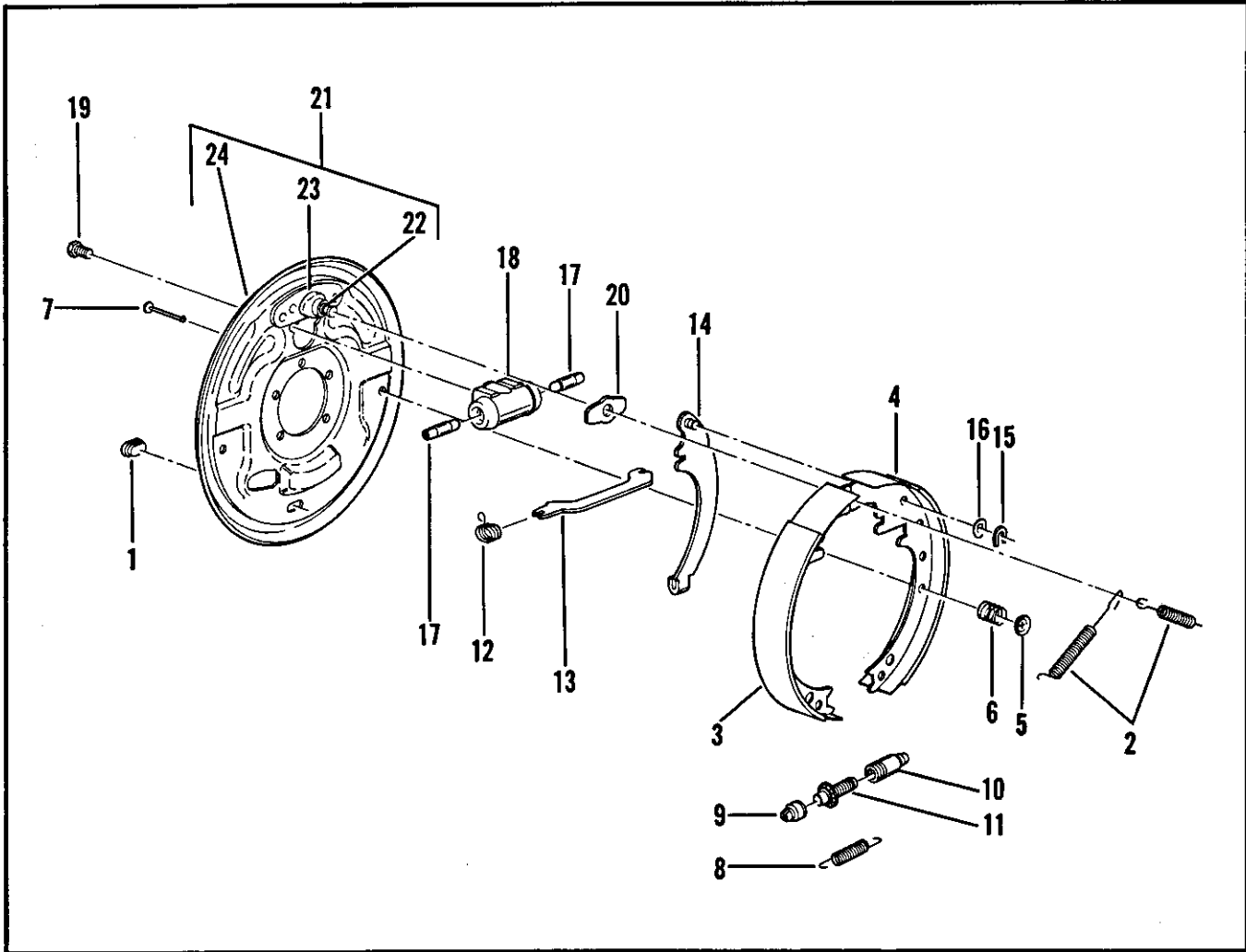


Figure 56. Brake assembly



FIG. & INDEX NO.	PART NUMBER	DESCRIPTION 1 2 3 4 5 6 7	UNITS PER ASSY	USABLE ON CODE
56-	3201919L	BRAKE ASSEMBLY, LH (14892) (22938 no. 8214-7) (see figure ..... 55-51 for NHA) (LH shown)	REF	
	3201920R	BRAKE ASSEMBLY, RH (14892) (22938 no. 8214-8) (see figure ..... 55-52 for NHA)	REF	
-1	301055	. GROMMET (14892) .....	1	
-2	33786	. SPRING, Anchor, 63 lb, orange (14892) .....	2	
-3	3202045	. SHOE AND LINING ASSY, Brake (14892) .....	1	
-4	3202049	. SHOE AND LINING ASSY, Brake (14892) .....	1	
-5	23969	. CUP, Shoe holddown (AP) (14892) .....	4	
-6	23960	. SPRING, Holddown, 24 lb, black (AP) (14892) .....	2	
-7	26320	. PIN, Holddown (AP) (14892) .....	2	
-8	29716	. SPRING, Adjusting screw, 40 lb, maroon (14892) .....	1	
	3202052	. ADJUSTING SCREW ASSY (14892) .....	1	
-9	48032	. . SOCKET, Adjusting screw (14892) .....	1	
	302058	. . SCREW ASSY (14892) .....	1	
-10	48031	. . . NUT, Adjusting screw (14892) .....	1	
-11	29491	. . . SCREW, Adjusting (14892) .....	1	
-12	41199	. SPRING, Strut, 9 lb, blue (14892) .....	1	
-13	302143	. STRUT, Lever (14892) .....	1	
-14	48834	. LEVER ASSY, Left hand (shown) (14892) .....	1	
	48835	. LEVER ASSY, Right hand (14892) .....	1	
-15	41029	. RETAINER, Lever (AP) (14892) .....	1	
-16	41647	. WASHER, Retainer (AP) (14892) .....	1	
-17	47865	. ROD, Push, cylinder (14892) .....	2	
-18	616200	. CYLINDER, Brake, left hand (shown) (14892) .....	1	
	616201	. CYLINDER, Brake, right hand (14892) .....	1	
-19	47862	. SCREW, Cap, and washer (AP) (14892) .....	2	
-20	32594	. PLATE, Guide (14892) .....	1	
-21	3202060	. PLATE ASSY, Backing, left hand (shown) (14892) .....	1	
	3202061	. PLATE ASSY, Backing, right hand (14892) .....	1	
-22	310574	. . PIN, Anchor (14892) .....	1	
-23	310482	. . PLATE, Reinforcement (14892) .....	1	
-24	3202062	. . PLATE, Backing, left hand (shown) (14892) .....	1	
	3202063	. . PLATE, Backing, right hand (14892) .....	1	

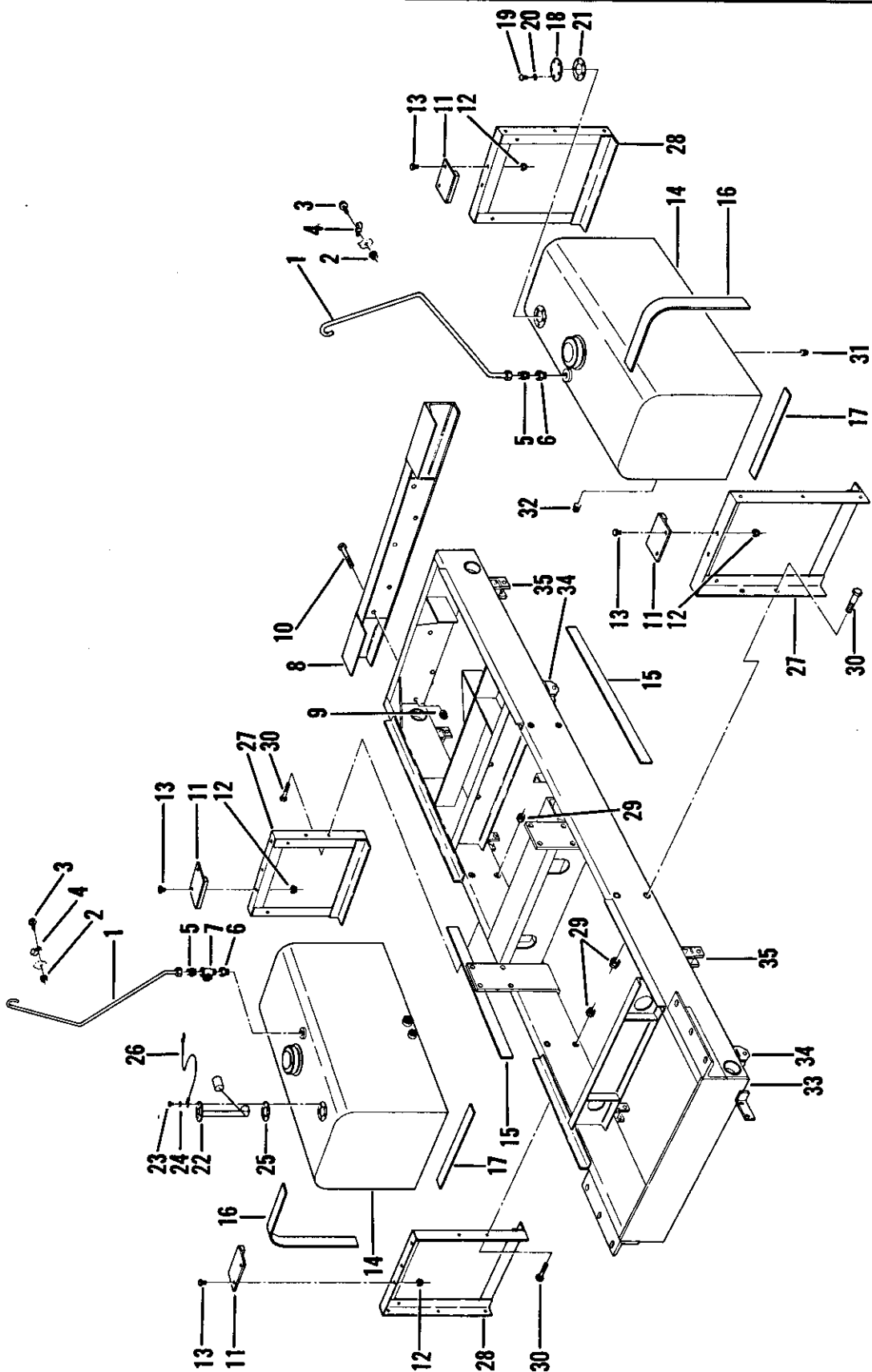


Figure 57. Fuel tank mounting and main frame group

FIG. & INDEX NO.	PART NUMBER	DESCRIPTION	UNITS PER ASSY	USABLE ON CODE
57-	NO NUMBER	FUEL TANK MOUNTING AND MAIN FRAME GROUP (See figure 1-44 for NHA)	REF	
-1	62953	. TUBE ASSEMBLY, Fuel tank vent	2	
-2	COML	. NUT, Spinlock, 1/4-20NC (AP)	2	
-3	COML	. SCREW, Spinlock, 1/4-20NC x 3/4 in. lg (AP)	2	
-4	COML	. CLIP, Tubing, 1/4 in. OD tubing (AP)	2	
-5	COML	. CONNECTOR, Tubing, 1/4 in.	2	
-6	COML	. BUSHING, Reducing, 3/8NPT to 1/4NPT	2	
-7	COML	. TEE, Street, 1/4NPT	1	
-8	49566	. BUMPER	1	
-9	COML	. NUT, Lock, hex, 1/2-13NC (AP)	5	
-10	COML	. SCREW, Cap, hex hd, 1/2-13NC x 5 in. lg (AP)	5	
-11	49771	. HOLDDOWN, Fuel tank	4	
-12	COML	. NUT, Lock, hex, 5/16-18NC (AP)	8	
-13	COML	. SCREW, Cap, hex hd, 5/16-18NC x 3/4 in. lg (AP)	8	
-14	40862	. TANK, Fuel	2	
-15	27933	. FELT, 1/2 x 2 in., 33 in. lg	4	
-16	27934	. FELT, 1/2 x 2 in., 29 in. lg	4	
-17	27935	. FELT, 1/2 x 2 in., 18 in. lg	4	
-18	44741	. COVER, Flange	1	
-19	COML	. SCREW, Machine, rd hd, no. 10-32 x 3/8 in. lg (AP)	5	
-20	COML	. WASHER, Lock, internal tooth, no. 10 (AP)	5	
-21	44427	. GASKET, Flange	1	
-22	27843	. SENDING UNIT, Fuel level	1	
-23	COML	. SCREW, Machine, rd hd, no. 10-32 x 3/8 in. lg (AP)	5	
-24	COML	. WASHER, Lock, internal tooth no. 10 (AP)	5	
-25	44427	. GASKET, Flange	1	
-26	62075	. WIRE ASSEMBLY, Ground	1	
	COML	. SLEEVE, Insulation, loom, 7/32 in. ID x 11 in. lg	1	
	COML	. TERMINAL, No. 10 stud	1	
	COML	. TERMINAL, 1/4 in. stud	1	
	COML	. WIRE, No. 14 ga, 600V, polyvinal, black, 12 in. lg	1	
-27	49158	. SUPPORT, Fuel tank	2	
-28	49159	. SUPPORT, Fuel tank	2	
-29	COML	. NUT, Lock, hex, 1/2-13NC (AP)	8	
-30	COML	. SCREW, Cap, hex hd, 1/2-13NC x 3 in. lg (AP)	8	
-31	COML	. PLUG, Pipe, sq hd, 1/4NPT	2	
-32	COML	. PLUG, Pipe, sq hd, 3/8NPT	1	
-33	64595	. FRAME ASSEMBLY	1	
-34	4250	. BRACKET, Spring, front (22938) (welded to frame, see figure 54-22 and 55-29 for NHA)	REF	
-35	4251	. BRACKET, Spring, rear (22938) (welded to frame, see figure 54-25 and 55-32 for NHA)	REF	

SECTION III  
NUMERICAL INDEX

PART NUMBER	FIGURE & INDEX NO.	QTY	PART NUMBER	FIGURE & INDEX NO.	QTY
AAB502-1	16-24	1	CROSS SHAFT GR	F55-16	1
ACCESSORY DRIVE	46-	REF	CYLINDER BLOCK	F53-31	1
	21-23	1		53-	REF
AC1000-12	11-15	2		21-30	1
AIR LINE SYSTEM	1-28(1)	1	C18AB	13-3	1
	10-	REF	DRAIN COCK	8-1	1
A19868-2	3-3	1	DV39-3306(T)	1-39(1)	1
A19892-56	3-6	1		21-	REF
A6760	11-2	1	ELBOW	5-3	2
BALL	17-105	1		12-29	1
	17-56	1		12-41	1
	14-3	1		10-14	1
BATTERY MTG GR	2-	REF		6-7	4
BREATHER	40-	REF		8-7	2
	21-18	1		12-45	1
BUSHING	57-6	2	EXHAUST GROUP	27-	REF
	1-8(1)	1		21-5	1
	12-9	1	E5314UMR	17-88	1
	12-3	1	FIG86-125-1-4	12-28	1
	11-7	1	FILTER ASSEMBLY	43-	REF
	11-4	2		42-7	1
	10-24	1	FLYWHEEL HOUSING	35-	REF
	10-17	1		21-13	1
	8-10	1	FR AXLE GROUP	54-	REF
BYPASS VALVE GR	1-25(1)	1		1-42(1)	1
	6-	REF	FRAME	24-67	1
B2739	25-2	2	FUEL LINE SYSTEM	1-38(1)	1
CAP RAD	9-25	1		11-	REF
CD0511-212	3-5	1	GAH00-0164	1-9(1)	2
CD0511500-170	3-7	1	GOVERNOR GROUP	47-(2)	REF
CD1623-101	3-2	1		47-(1)	REF
CD1623500	3-	REF		21-24	1
	1-22(1)	2	G428989	18-14	1
CD1623500-156	3-12	1	HM24-2	18-6	1
CD1626001-240	3-8	2	HOSE CLAMP	8-13	8
CD1626001-311	3-1	1	HOSE RAD	9-17	1
CD1626001-826	3-4	1	HOUSING ASSY	1-(2)	1
CO-0413	16-13	1		1-23(1)	1
COMPR OIL FIL GR	5-	REF	HUB	54-42	1
	1-24(1)	1	INTAKE ELBOW GR	21-6	1
COMPRESSOR ASSY	1-33(1)	1		28-	REF
	17-	REF	K1110-18	20-3	1
CONNECTOR	57-5	2	LM67010	55-44	1
COUPLING	6-5	2		54-37	1
	8-2	1	LM67048	55-43	1
CRANKSHAFT GR	21-29	1		54-36	1
	52-	REF	LP2299	19-11	1
CROSS	1-6(1)	1	LP2377-1	19-10	1

PART NUMBER	FIGURE & INDEX NO.	QTY	PART NUMBER	FIGURE & INDEX NO.	QTY
LP2812	19-8	1	NUT	F1-3(2)	8
LP2813	19-9	1		F1-39(1)	2
LP2814	F19-7	1		F1-21(2)	13
LP3222-1	19-7	1		F1-2(2)	8
LP3864R-36	18-7	1		F1-19(2)	26
	F19-11	REF		F1-37(1)	8
LP5314UMR	17-96	1		F1-20(1)	1
LP535	19-12	REF		F1-22(1)	4
L1026	49-20	1		F1-16(1)	1
L1329	34-9	3		1-27(1)	6
L1351	46-7	2		F1-33(1)	2
	28-6	1		F1-34(1)	2
L364	36-18	1		F1-34(1)	2
	37-3	1		1-30(1)	4
L472	47-30(2)	1		11-13	2
MAIN FRAME GR	57-	REF		11-9	1
	1-44(1)	1		9-14	1
M4009-1	18-10	1		9-10	2
M96H	1-11(1)	4		9-19	21
NIPPLE	5-5	1		9-4	2
	5-4	1		6-9	2
	1-7(1)	1		8-4	1
	1-3(1)	1		8-33	4
	1-5(1)	2		7-6	1
	12-6	1		8-37	4
	12-8	1		18-26	4
	12-12	1		19-5	2
	8-9	1		18-24	2
	8-8	1		18-27	16
	8-6	1		F18-3	1
NUT	6-6	2		17-24	1
	57-2	2		16-5	2
	57-9	5		13-2	1
	57-12	8		16-6	2
	57-29	8		15-1	1
	55-4	2		16-15	2
	55-17	4		16-17	2
	54-6	2		27-3	REF
	54-9	2		20-7	2
	F1-29(2)	12		20-10	2
	F1-14(2)	15		20-13	2
	F1-5(2)	32	OIL COOLER GR	41-	REF
	F1-8(2)	8		21-19	1
	F1-4(2)	2	OIL PAN GROUP	36-	REF
	3-9	1		21-14	1
	F1-7(2)	10	OIL PUMP GROUP	37-	REF
	F1-27(2)	5		21-15	1
	2-7	4	OVERSPEED SW	20-	REF
	F1-15(2)	15		1-36(1)	1
	F1-23(2)	8	PC0625	4-11	1
	F1-1(2)	31	PIN	16-22	1
	F1-17(2)	28	PISTON	51-6	1

PART NUMBER	FIGURE & INDEX NO.	QTY	PART NUMBER	FIGURE & INDEX NO.	QTY
PLATE IDENT PLUG	1-12(2)	1	SCREW	F1-5(2)	32
	57-31	2		3-10	1
	57-32	1		F1-4(2)	2
	5-12	1		5-11	4
	12-22	1		F1-14(2)	15
	12-42	1		F1-7(2)	10
	12-44	1		F1-8(2)	8
	12-11	2		F1-23(2)	8
	12-43	2		F1-27(2)	15
	17-89	1		F1-37(1)	8
	17-71	1		F1-3(2)	16
	17-54	1		F1-21(2)	13
	17-31	1		F1-29(2)	12
	13-9	1		F1-17(2)	28
	10-12	1		F1-19(2)	24
	17-100	4		F1-19(2)	2
	17-106	1		4-2	2
14-6	1	F1-15(2)	15		
12-39	1	F1-2(2)	16		
7-21	1	F1-39(1)	2		
17-87	1	F1-39(1)	8		
17-94	1	F1-1(2)	31		
12-25	1	F1-26(2)	16		
17-76	1	5-7	2		
17-2	2	F1-17(1)	4		
17-8	1	F1-20(1)	1		
12-18	1	F1-22(1)	4		
17-21	2	F1-16(1)	1		
17-73	1	F1-33(1)	8		
12-27	1	F1-33(1)	2		
F19-4	1	F1-34(1)	2		
8-	REF	F1-34(1)	2		
55-	REF	F1-27(1)	6		
1-43(1)	1	F1-32(1)	2		
26-39	1	F1-30(1)	4		
12-10	1	13-4	6		
20-6	1	12-16	4		
13-8	1	12-20	4		
13-1	1	11-14	2		
35-6	8	11-10	1		
32-4	6	9-11	2		
47-2(1)	1	9-15	1		
57-23	5	9-20	21		
57-19	5	9-23	8		
57-13	8	9-28	8		
57-10	5	8-39	4		
57-3	2	6-10	2		
57-30	8	8-28	4		
55-19	4	8-15	2		
55-6	2	8-5	1		
54-10	2	7-16	1		
F1-13(2)	8	8-19	2		

PART NUMBER	FIGURE & INDEX NO.	QTY	PART NUMBER	FIGURE & INDEX NO.	QTY
SCREW	9-2	2	S1588	42-4	1
	7-2	4		47-3(2)	2
	8-35	4		52-7	6
	9-5	2	S1589	24-1	3
	8-23	3	S1594	37-4	2
	8-38	4		49-30	4
	9-8	2		47-2(2)	1
	19-6	2		29-8	2
	F18-26	4	S1600	35-2	9
	F18-27	16	S1608	47-4(2)	1
	18-40	20	S1614	47-52(1)	4
	F18-24	2	S1615	47-70(1)	3
	17-78	8	S1616	47-5(1)	1
	17-98	2	S1617	48-6	15
	17-85	8	S1618	38-2	4
	17-82	4		47-14(2)	REF
	17-108	2		46-34	4
	17-17	2		47-16(1)	3
	17-39	1		25-21	2
	17-28	2	S1619	33-8	1
	17-64	8		47-5(2)	1
	17-68	8	S1621	52-2	6
	17-50	2	S1748	50-2	4
	17-34	8	S25-200	8-26	3
	17-49	4	S509	50-5	2
	17-18	4		46-13	1
	17-26	1	TEE	57-7	1
	17-6	1		12-7	1
	17-10	2		10-23	1
	16-2	1		18-11	1
	16-31	2	TERMINAL	F57-26	1
	17-13	5		F57-26	1
	17-5	3	TIMING COVER	34-	REF
	16-10	1		21-12	1
	27-4	REF	TR2-8	20-2	1
	20-8	2	TUBING	19-1	1
SERVICE METER	44-	REF	TUBING CLIP	57-4	2
	21-21	1	TURBOCHARGER	29-	REF
SETSCREW	16-27	1		21-7	1
SLEEVE	F57-26	1	T102	36-17	1
SPEED CONT LINK	1-32(1)	1		37-2	1
	16-	REF	VALVE COVER GR	48-	REF
SP1003CP	16-14	2		21-25	1
STARTING AID	19-	REF	VALVE MECHANISM	49-	REF
S1082	47-23(1)	2		21-26	1
S1566	34-16	2	VM-79-2500	1-1(1)	4
	34-12	2	WASHER	35-7	8
S1571	29-2	2		32-5	6
	28-2	4		47-3(1)	1
	27-8	4		57-24	5
S1587	25-15	1		57-20	5
S1588	42-25	2		55-5	2

PART NUMBER	FIGURE & INDEX NO.	QTY	PART NUMBER	FIGURE & INDEX NO.	QTY
WASHER	55-18	4	WASHER	17-14	5
	54-7	2		16-11	1
	3-11	1		16-23	1
	2-8	4		17-7	4
	F1-39(1)	8		16-12	1
	4-3	2		16-19	2
	5-8	2		17-25	1
	F1-17(1)	4		25-5	3
	F1-22(1)	4		20-14	2
	F1-32(1)	2		20-11	2
	F1-33(1)	8	WHEEL STUD	54-41	6
	F1-33(1)	2	WIRE	F57-26	1
	F1-39(1)	2	W623	F18-3	1
	F1-27(1)	12	0102571	1-40(1)	4
	12-21	4	0394513	1-41(1)	4
	12-17	4	08DU08	4-10	2
	12-34	12	1-SS2-12-M	20-9	1
	13-5	6	1-20	26-26	1
	9-29	8	1-3508	F54-10	1
	8-40	4	1-3605	F55-38	2
	8-24	3	1-3852	F54-49	1
	9-12	2	1-4010-5	55-33	2
	8-25	3		54-26	2
	8-20	2	1-4250	F55-24	2
	8-34	4		F54-17	2
	9-16	1	1-4251	F55-29	2
	8-29	4		F54-22	2
	8-30	4	1-5904	55-3	1
	8-41	4	1-67	26-27	1
	8-16	2	1A1460	35-9	9
	7-3	4	1A2029	39-3	3
	9-21	21		37-14	2
	6-11	2	1A5183	49-43	7
	9-3	4	1A9579	38-9	3
	9-24	8	1B2714	47-20(1)	2
	7-17	1	1B2790	30-7	4
	9-6	2		30-2	4
	8-36	4	1B4203	34-23	6
	9-9	4		49-7	12
	F18-27	16	1B4330	47-12(1)	2
	F18-26	4	1B4367	34-2	2
	F18-3	1	1B5174	41-9	3
	17-79	8		41-20	1
	17-83	4	1B5355	31-5	12
	17-51	6		27-7	4
	17-29	2	1B7182	42-20	4
	17-59	2	1B7709	49-9	6
	17-69	8	1B8704	47-8(1)	1
	17-40	1	1B8709	37-28	1
	17-35	8	1B9575	37-21	1
	17-11	2		47-13(2)	REF
	17-19	6		47-50(1)	1



PART NUMBER	FIGURE & INDEX NO.	QTY	PART NUMBER	FIGURE & INDEX NO.	QTY
1R9575	46-33	2	1P4922	44-5	1
1D4540	47-15(1)	2	1P4923	F44-22	1
1D4595	38-10	1	1P6367	49-29	1
1D4717	49-41	20	1P6448	38-8	1
	42-8	1	1P6452	47-64(1)	1
1D4719	22-6	2	1P7324	49-51	6
	25-7	1	1P7346	37-11	1
1F1006	25-18	1	1P9929	33-19	1
1F2419	37-32	1	1P9952	33-12	1
1F5842	47-6(1)	1	1P9956	51-8	2
1F904	42-19	1	1P9968	34-26	1
1F9369	44-17	1	1P9971	34-29	1
1H1023	46-25	1	1P9989	49-24	1
1H3244	23-13	2	1S1953	47-41(2)	1
1H5403	44-3	2	1S206	47-24(2)	6
1H7922	32-13	2	1S214	47-33(2)	1
1H974	42-33	1	1S3062	49-34	18
1K6985	53-22	1	1S3889	36-8	1
1L3769	33-17	1	1S4295	29-14	1
1M101	22-15	1	1S4741	47-69(1)	1
1M1077	F47-34(2)	1	1S4810	29-10	1
1M1226	47-18(2)	6	1S5540	47-77(1)	2
1M130	47-40(2)	1	1S7336	47-53(1)	2
1M1993	53-4	1	1S7984	47-57(1)	1
1M2075	25-17	1	1S9312	47-94(1)	1
1M3506	44-13	1	1S9543	51-1	2
1M3735	47-19(2)	6	1T416	44-9	2
1M6718	37-37	2	1T765	41-39	2
1M6735	23-18	2	10048X05	F11-16	2
1M6778	23-9	1	10325-12	18-15	1
1M6779	23-19	1	11-18	26-47	1
1M6780	23-11	1	11-21	26-43	1
1M6781	23-17	2	11-26	26-38	1
	23-7	2	11-33	26-25	1
1M6782	23-10	1	11-40	26-40	1
1M6783	23-1	1	110-3-4	26-45	1
1M6784	23-3	1		12-14	1
1M6786	23-6	1		7-11	1
1M6788	23-15	1		17-86	8
1M6789	23-12	1		17-65	8
1M690	23-16	2	11028	2-1	1
1N7970	47-36(2)	1	11044	5-9	1
1N8366	42-3	1	1114706	21-3	1
1P2299	29-7	1		24-	REF
1P231	43-4	1	1119848	24-17	1
1P232	F47-46(2)	6	119-032X46	18-20	1
1P233	47-46(2)	6	12-20	F26-33	1
1P234	F47-47(2)	6	12-22	26-34	1
1P2698	47-47(2)	6	13-5	26-28	1
1P2717	39-2	1	14-31	26-17	1
1P4244	53-29	7	14-44	26-48	1
	F40-4	1	14-45	26-1	1

PART NUMBER	FIGURE & INDEX NO.	QTY	PART NUMBER	FIGURE & INDEX NO.	QTY
14028	8-1	1	1947262	24-52	1
14950	18-5	1	1948515	24-37	1
15-1	26-24	1	1948519	24-24	1
15-18	26-12	1	1948521	24-21	1
15-25	F26-37	1	1948522	24-25	1
15-3	26-20	4	1948529	24-46	1
	26-6	2	1948536	24-42	5
15-4	26-23	1	1948537	24-43	1
15-7	26-8	2	1950561	24-61	1
	26-22	1	1951073	24-26	1
16-58	26-14	1	1955990	24-63	1
16-88	26-13	1	1964857	24-5	1
16826	17-65	8		24-58	1
1821	10-16	1	1965472	24-62	1
1847807	24-38	3	1968396	24-66	8
1851632	24-40	1	1970454	24-41	1
1861785	24-33	8	2-3605	F54-30	2
18806	17-97	1	2-8311	55-11	2
18952	16-4	2	2A1162	22-17	1
19	2-6	2	2A3746	47-43(2)	1
1906986	24-31	8	2A3798	53-7	2
1911644	24-51	1	2A3852	36-7	1
1914373	24-48	1	2A4429	49-48	24
1914647	24-36	1	2A4639	42-11	1
	24-39	3	2B2006	25-9	1
	24-12	1	2B2404	42-6	1
1914842	24-30	1		46-15	1
1914869	24-53	4	2B2695	47-27(1)	1
	24-27	4	2F4159	47-99(1)	1
1914873	24-64	1	2F4355	42-16	1
1916272	24-29	1	2F6156	32-14	1
	24-55	1	2F808	29-38	2
1916439	F24-54	1	2F8616	45-7	1
	F24-28	1	2H3429	22-10	1
	F24-43	1	2H3504	47-31(2)	1
1918047	F24-54	1	2H3738	47-7(1)	1
1921805	24-47	1	2H3755	48-3	3
1922457	24-13	2		46-29	2
1923484	F24-54	1		46-1	2
1930611	24-18	4	2J157	47-38(1)	2
1934478	24-65	4	2J6540	41-11	2
1936466	24-56	1	2L1352	47-29(1)	2
1942256	24-22	1	2L5893	33-10	2
1942258	F24-43	1	2L8076	F47-14(1)	2
1945356	24-4	1	2L8919	F47-14(1)	4
	24-57	1	2M2489	47-56(1)	2
1945468	24-11	1	2M4208	F47-27(2)	6
1945476	24-50	1	2M4209	F47-27(2)	6
	24-50	1	2M4210	F47-27(2)	6
1945484	24-44	1	2M4211	F47-27(2)	6
1945496	24-60	1	2M4212	F47-27(2)	6
1945500	24-59	1	2M4314	47-17(2)	6

PART NUMBER	FIGURE & INDEX NO.	QTY	PART NUMBER	FIGURE & INDEX NO.	QTY
2M5407	41-33	1	2P3201	34-37	6
2M849	25-16	1		34-20	2
	25-8	1		49-25	4
2M8604	47-38(2)	1		46-19	4
2N2385	F47-14(1)	1		53-5	2
2N4386	47-19(1)	1	2P3202	41-26	1
2N4617	44-20	1		41-35	8
2N477	47-76(1)	2		34-15	3
2N479	F47-74(1)	1	2P3203	41-4	1
2N6464	F44-8	1		22-5	2
2N6739	44-15	1	2P3204	41-16	1
2N7612	42-24	1		41-13	1
2N7744	46-26	1		41-41	2
2N8485	F34-	1		22-8	2
2P1168	37-8	1	2P3206	41-2	1
2P1170	37-35	1		37-17	1
2P1172	37-7	1		37-13	2
2P1262	49-37	12		37-10	1
2P1273	34-30	1		34-36	2
2P1274	34-28	1	2P3207	41-27	1
2P1444	F52-15	1		34-35	13
2P1445	F52-15	1	2P3208	34-34	6
2P1446	F52-15	1		32-8	6
2P1447	F52-15	1		25-12	1
2P1486	34-8	1	2P3210	41-5	1
2P1692	34-10	1		37-18	1
2P1738	36-13	1	2P3211	41-3	1
2P1739	36-16	1		37-23	3
2P1751	37-1	1	2P3215	41-15	1
2P1757	32-20	1	2P3261	34-31	6
2P1781	37-29	1	2P3767	40-1	1
2P1784	F37-12	1	2P3768	49-28	1
2P1785	F37-19	1	2P3858	52-12	1
2P1818	52-3	1	2P3859	52-10	1
2P218	34-14	1	2P4004	38-7	1
2P220	34-18	1	2P404	33-1	1
2P2243	32-16	1	2P405	33-5	1
2P2460	41-21	1	2P406	41-7	1
2P2516	41-17	1	2P6117	41-1	1
2P2519	41-25	1	2P6132	41-6	1
2P2537	38-12	1	2P6153	F34-25	1
2P2697	36-2	1	2P6202	50-	REF
2P2715	49-26	1		21-27	1
2P2720	34-21	1	2P6221	52-18	1
2P3200	36-14	25	2P6222	F52-12	1
	35-15	2	2P6224	F52-8	1
	33-2	2	2P6245	37-30	1
	53-2	8	2P6271	F51-	1
	25-13	1	2P6272	51-	REF
2P3201	41-22	2		21-28	6
	41-28	1	2P6475	38-	REF
	36-11	21		21-16	1

PART NUMBER	FIGURE & INDEX NO.	QTY	PART NUMBER	FIGURE & INDEX NO.	QTY
2P6497	49-38	1	2S8	47-87(1)	1
2P6498	F34-30	1	2S8145	23-5	1
2P6516	F48-4	1	2S8966	49-54	6
2P6526	F49-	1	2S900	24-	REF
2P6534	F31-4	1		21-3	1
2P6546	F49-40	1	2S9519	47-60(1)	1
2P6560	F53-8	1	20-111	26-36	1
2P6574	31-	REF		26-37	1
	21-9	1		26-16	3
2P660	33-7	1		26-4	4
2P662	33-	REF	20-116	26-11	2
	21-11	1	20-117	26-2	2
2P671	33-23	1	20-119	26-15	3
2P684	37-36	1	20-120	26-5	2
2P685	F37-31	1	20-135	26-7	2
2P7726	41-14	1	20-136	26-30	1
2P7728	F41-13	1	20-137	26-31	1
2P7730	F41-	1	20-14	26-46	1
2P7732	41-38	1	20-141	26-41	3
2P7734	41-37	1	20-142	26-42	3
2P7738	F41-34	1	20-143	26-18	4
2P8598	F52-2	1	20-148	26-3	4
2P8616	47-26(2)	6		26-19	4
2P8701	34-22	1	20-151	26-21	1
2P8702	34-25	1	20-56	26-35	1
2P8746	37-19	1	20-7	26-33	1
2P8763	47-93(1)	1	20-89	26-44	1
2P8776	53-16	1	2055-79	18-21	1
2P8796	41-43	1	206P-20	18-25	4
2P8870	41-12	1	21-S-187-1250	4-8	1
2P8889	53-9	6		4-5	1
2R1033	F48-1	1	219-2248	F55-24	1
2S1940	25-10	1	219-2248-2	55-53	1
2S4015	42-17	1	219-229X-1	54-59	1
2S42	34-27	6	219-2298	F54-17	1
2S502	F51-11	1	219-5901	F55-	1
2S503	F51-11	1	22446	12-36	2
2S5301	27-11	1		17-109	2
2S5658	53-31	14	23671	11-15	2
2S6656	41-10	1	23684	11-11	1
2S6838	45-21	1	23960	56-6	2
2S7	47-83(1)	1	23969	56-5	4
2S7235	47-44(1)	1	24X110M/NEL	10-11	1
2S7289	47-43(1)	1	24031	12-18	1
2S7307	47-49(1)	2	24196	17-76	1
2S736	49-42	20	24498	13-9	1
	49-10	6		17-54	1
2S7387	47-46(1)	1		17-31	1
2S7390	47-68(1)	2	24506	14-6	1
2S7391	47-67(1)	1	24636	54-5	1
2S7905	47-49(2)	1	24638	2-4	1
	47-107(1)	1	24639	2-5	2

PART NUMBER	FIGURE & INDEX NO.	QTY	PART NUMBER	FIGURE & INDEX NO.	QTY
24668	2-6	2	27670	18-2	1
24669	2-9	2	27843	57-22	1
24963	10-12	1	27854	18-20	1
24964	17-100	4	27917	16-1	1
24982	12-39	1	27926	8-18	2
24984	17-62	1	27933	57-15	4
25000-3	5-14	1	27934	57-16	4
25000-4	5-12	1	27935	57-17	4
2550-108	18-12	1	28053	12-15	1
255000-8	5-11	4	28145	7-3	4
25520	55-47	1		17-40	1
	54-40	1	28146	17-51	6
255241-1500	5-10	1		17-35	8
255241-1500-2	5-15	1		17-19	6
255241-1500- 576366-1110	F5-9	1	28147	17-79	8
2556-12	F11-8	1	28149	17-69	8
25580	55-46	1		7-17	1
	54-39	1	28881	17-29	2
2575	F11-16	1		F12-1	2
2575-6	F10-18	1		F11-1	2
	F11-5	1		F11-5	2
	F11-1	1		F10-21	2
	F10-21	1		F10-18	2
	F12-1	2		F10-8	2
	F10-8	1		F10-3	2
	F10-5	1		F10-5	2
	F10-1	1	28886	F10-1	2
	F10-3	1		F11-5	2
26320	56-7	2		F11-1	2
26359	12-38	1		F12-1	2
26826	12-14	1		F10-5	2
	7-11	1		F10-3	2
	17-86	8		F10-8	2
26829	12-27	1		F10-18	2
26840	12-24	1		F10-21	2
26841	12-26	1	28888	F10-1	2
26844	12-23	1		12-2	1
	15-	REF		10-20	1
26845	15-5	1	28890	10-7	1
26846	15-3	1		11-6	2
26847	15-2	1		11-3	1
26848	15-4	1		12-4	2
26859	12-25	1		10-6	1
26868	17-2	2		10-4	2
26981	17-32	1		10-2	1
27327	1-10(2)	8		10-9	1
27328	1-11(2)	8		10-22	2
27329	1-9(2)	8	28891	10-19	1
27442	2-10	2	28914	18-4	1
27460	8-21	2	29188	12-31	1
	8-17	2	29491	20-5	1
				56-11	1

PART NUMBER	FIGURE & INDEX NO.	QTY	PART NUMBER	FIGURE & INDEX NO.	QTY
296	13-7	1	3J5389	49-33	3
2965803	F48-1	1	3J5390	41-19	1
29716	56-8	1		35-11	1
29737	19-4	1	3K810	47-79(1)	1
3-12	26-10	1	3L1425	32-12	1
3-14	26-9	1	3L1850	47-12(2)	1
3-3807	F54-56	1	3L5987	47-22(1)	1
384501	47-47(1)	1	3L7055	22-2	1
384504	47-13(1)	2	3M496	31-8	2
384505	45-4	2	3M6018	F48-1	1
	42-21	5	3M7045	35-12	1
	48-7	15	3N2704	25-20	1
	47-15(2)	REF	3N2756	32-6	1
	47-17(1)	5	3N2885	F52-	1
	30-8	4	3N2898	F36-	1
	30-3	4	3N2899	F36-6	1
384506	42-26	2	3N3271	F49-23	1
	42-5	1	3N3389	F47-37(2)	1
	42-9	1	3N3390	F47-12(2)	1
	39-4	3	3N3392	F40-	1
	32-9	6	3N3450	46-22	1
	33-9	1	3N3696	47-1(2)	1
	34-32	21	3N3916	F49-45	1
	49-31	4	3N4068	29-1	1
	47-6(2)	5	3N4164	36-4	1
	46-14	1	3N4245	36-1	1
	29-9	2	3N548	F47-14(1)	1
	28-7	1	3N584	47-11(1)	1
	29-3	2	3N6006	22-4	1
	28-3	4	3N6007	21-1	1
384508	32-2	4		22-	REF
	24-10	2	3N6933	52-6	1
384510	34-3	2		32-7	1
	24-2	3	3N6934	F52-5	1
38551	41-18	1	3N6939	F35-7	1
	35-13	1	3N6980	25-11	1
38623	49-35	6	3N7210	F32-11	1
387721	42-34	1	3N7742	F47-5(1)	1
387738	45-2	1	3P8453	42-27	1
387896	42-2	1	3R8029	35-1	1
38817	35-14	1	3R8030	35-4	1
388489	32-21	1	3S1440	47-37(2)	1
388822	46-27	1	3S1494	47-37(1)	1
388998	42-32	3	3S4484	29-22	1
3D4603	47-48(2)	1	3S4487	29-27	3
3F1417	28-8	1	3S4488	29-26	3
3F6795	49-12	1	3S4489	29-28	1
3F9556	44-10	2	3S5017	27-6	1
	47-30(1)	5	3S5126	29-18	6
3H1489	45-8	1	3S5127	29-20	3
3H3243	40-6	1	3S5128	29-19	3
3H3681	24-9	2	3S5129	29-17	1

PART NUMBER	FIGURE & INDEX NO.	QTY	PART NUMBER	FIGURE & INDEX NO.	QTY
3S5135	29-36	1	4B3388	45-3	2
3S602	47-66(1)	1	4B3938	53-8	1
3S6263	27-9	1	4B4277	42-22	4
3S8313	49-36	7	4B4278	42-10	1
	53-25	2		39-5	3
3S8432	28-1	1		41-29	1
3S8480	44-16	1		34-33	6
3S9639	47-91(1)	1	4B4910	49-16	5
3S9730	52-15	7	4B5387	53-21	2
	F52-15	7	4B5647	42-14	1
3S9735	47-28(2)	6	4B6067	22-3	1
30C44234B04	25-1	1	4B9302	29-6	1
301055	56-1	1	4B9388	F47-14(1)	2
302058	F56-9	1	4B9747	47-24(1)	2
302143	56-13	1		47-34(1)	1
3075	12-36	2	4B9782	53-28	1
	17-109	2	4B9880	37-33	1
30788	4-8	1	4D-A9Y	2-9	2
	4-5	1	4D3704	34-17	2
310482	56-23	1	4F443	49-14	6
310574	56-22	1		49-6	6
3201919L	55-49	1	4F4585	47-105(1)	1
	56-	REF	4F6024	47-44(2)	1
3201920R	F56-	REF	4F7957	47-61(1)	2
	F55-49	1	4H1966	46-16	1
3202045	56-3	1		46-24	1
3202049	56-4	1	4H7869	24-3	1
3202052	F56-8	1	4H945	46-23	1
3202060	56-21	1	4K9890	40-7	1
3202061	F56-21	1	4L3814	35-16	1
3202062	56-24	1	4L6454	33-13	1
3202063	F56-24	1	4L8082	44-18	1
32594	56-20	1	4L8337	28-9	4
3325X4	10-13	2	4L8395	44-19	14
33786	56-2	2	4L9971	47-101(1)	1
350-450-16	17-70	1	4M1474	47-45(2)	3
3508-1	54-17	1	4M1827	24-19	1
3605-1	55-48	1	4M1849	24-14	1
36559	14-7	1	4M2969	36-15	1
36560	14-1	1	4M411	47-20(2)	6
3721-3	55-37	2	4M5317	43-2	1
	54-30	2	4M6480	53-6	1
37989	18-10	1	4M8303	44-22	1
38361	1-11(1)	4		44-8	1
3852	54-55	1	4M9933	52-13	1
3853	54-52	1	4N3732	37-20	1
3902-251	54-49	1	4N4054	37-26	1
3905-291	F54-42	2	4N4055	F37-22	1
3953	54-44	1	4N4063	47-97(1)	1
3954	54-45	1	4N4526	34-19	1
4-3807	54-56	1	4N4680	32-10	1
4B2042	47-45(1)	1	4N4682	32-22	1

PART NUMBER	FIGURE & INDEX NO.	QTY	PART NUMBER	FIGURE & INDEX NO.	QTY
4N5353	37-16	1	44395	5-2	2
4N6D	16-20	2		6-4	6
4N6556	33-15	1	44427	57-25	1
4N7446	F49-28	1		57-21	1
4N8385	37-22	1	44704	14-5	1
4N8480	F33-23	1	44705	14-4	1
4S6526	42-15	1	44741	57-18	1
4S6574	42-1	1	44972	17-107	1
4S7756	45-11	2	45A62	13-6	1
4S8737	F48-1	1	45121	17-53	1
4S8881	F52-15	7	453418	24-32	8
4S8883	F52-15	7	45815	11-16	1
4S8885	F52-15	7	4600-14	54-15	1
4S9702	29-39	1	4600-3	54-19	1
40013	19-3	1		55-26	1
40014	19-2	1	4600-6	55-41	2
4006	54-54	1		54-34	2
40434	7-5	1	4601-5	55-50	10
40596	16-18	1		55-13	2
40620	18-30	1		55-2	2
40678	7-19	1	4601-8	55-34	8
40679	7-14	1		54-27	8
40696	7-21	1	4603-1	54-31	6
40858	4-10	2	4605-1	54-47	1
40875	16-20	2	4605-2	54-48	1
40892	57-14	2	46174	7-15	1
41029	56-15	1	46175	7-18	1
41199	56-12	1	46246	1-35(1)	1
41545	10-13	2		F19-4	1
41584	17-8	1	46807	17-44	1
41647	56-16	1	46888	17-55	1
41829	14-2	1	4700-4	55-51	10
41899	18-8	1	4701-22	54-16	1
41958	F11-16	2	4702-3	55-42	2
41959	F11-16	2		54-35	2
41998	18-32	1	47212	F11-16	2
42187	18-3	1	47213	F11-16	1
42233	11-2	1	4741-12B	F11-8	2
42341	18-15	1	4750-68	F12-1	2
4250	57-34	REF		F11-5	2
	55-29	1		F10-21	2
	54-22	1		F10-5	2
4251	57-35	REF		F10-18	2
	55-32	1		F10-3	2
	54-25	1		F10-8	2
43132	1-4(1)	2		F11-1	2
43392	17-99	4		F10-1	2
43393	17-102	4	47690	10-10	1
43394	17-101	4	47702	17-70	1
44125	16-14	2	47862	56-19	2
44209	11-17	1	47865	56-17	2
44365	18-14	1	4800-1	54-43	2



PART NUMBER	FIGURE & INDEX NO.	QTY	PART NUMBER	FIGURE & INDEX NO.	QTY
4800-13	54-14	1	48776	12-37	1
4800-3	55-30	1	48778	12-46	1
	54-23	1	48786	8-42	1
	55-25	1	48790	8-27	1
	54-18	1	48792	7-1	1
4800-5	54-33	2	48794	7-22	1
	55-40	2	48795	7-4	1
4800-6	54-11	2		7-9	1
4800-7	55-9	1	48796	7-20	1
	55-15	2	48834	56-14	1
48031	56-10	1	48835	F56-14	1
48032	56-9	1	4901-7	55-52	10
48460	17-110	1	49057	18-1	1
48461	17-74	1	4912	55-38	12
48462	17-41	1	49157	17-9	1
48463	17-37	1	49158	57-27	2
48464	17-38	1	49159	57-28	2
48465	F1-33(1)	8	49160	1-31(1)	1
48466	F1-33(1)	8	49161	17-4	1
48467	17-43	1	49162	17-1	1
48470	17-75	1	49164	12-28	1
48471	17-96	1	49168	1-26(2)	1
48472	17-88	1	49170	12-32	REF
48475	17-46	1	49172	1-18(2)	1
48477	17-42	1	49173	1-19(2)	1
48480	17-84	1	49175	1-20(2)	1
48481	17-93	1	49176	1-21(2)	1
48483	17-57	1	49177	1-6(2)	1
48484	17-61	2	49178	1-7(2)	1
48485	17-77	1	49179	1-16(2)	1
48486	17-67	1	49180	1-17(2)	1
48488	17-103	1	49181	1-14(2)	1
48489	F17-102	1	49182	1-15(2)	1
48490	17-104	1	49184	1-28(2)	1
48491	17-48	1	49185	1-29(2)	1
48494	17-22	1	49186	1-4(2)	2
48495	17-60	1	49192	1-5(2)	4
48496	17-106	1	49195	1-18(1)	2
48497	17-87	1	49274	F1-25(2)	3
	17-94	1	49275	7-6	1
48498	17-73	1	49292	18-17	1
48499	17-21	2		18-13	1
48649	47-1(1)	1	49294	18-9	1
48717	1-25(2)	2	49496	54-4	1
48751	F1-25(2)	6	49497	54-3	2
48752	17-80	1	49498	54-8	1
	17-72	1	49499	54-2	1
48753	17-52	1	49553	6-3	1
	17-20	1	49555	5-1	1
48754	17-47	1	49564	1-29(1)	1
48757	17-63	1		12-	REF
48759	17-66	1	49566	57-8	1

PART NUMBER	FIGURE & INDEX NO.	QTY	PART NUMBER	FIGURE & INDEX NO.	QTY
49599	F1-33(1)	4	5R3153	32-	REF
49771	57-11	4		21-10	1
49777	10-15	1	5R3156	F47-14(1)	1
49786	11-12	1	5R3157	F47-12(2)	REF
49791	2-2	2		F47-14(1)	1
49793	17-3	1	5R3160	F46-16	1
49797	12-19	1	5R3162	21-4	1
49799	2-3	1		25-	REF
583718	30-22	1	5R3163	F48-	1
583850	49-44	7	5R511	F29-39	1
585812	F32-22	1	5S1293	28-5	1
587652	53-23	2	5S2106	32-18	1
588030	41-30	1	5S2793	F51-6	1
589079	46-6	1	5S3804	50-1	1
	F47-14(1)	1	5S3828	46-17	1
5E19	2-1	1	5S3972	50-7	1
5F3106	34-13	1	5S5058	47-29(2)	1
	33-6	1	5S5059	47-78(1)	1
5H1351	47-100(1)	1	5S5878	49-17	4
5H2671	52-14	1	5S5879	49-19	1
5H7225	30-19	1	5S5912	49-49	12
5K9243	36-3	2	5S5918	49-22	12
5L2952	39-1	1	5S6202	51-10	1
5L4544	49-45	2	5S6281	49-55	1
5L8855	27-10	1	5S6296	52-9	1
5L8983	F47-14(1)	1		52-18	1
5L8991	47-35(1)	1	5S6348	51-7	2
5L8992	47-32(1)	1	5S6453	48-5	1
5L9650	18-41	1	5S6670	53-10	18
5M2691	F47-27(2)	6	5S6735	49-32	1
5M2697	47-27(2)	6		28-4	1
5M2894	41-40	2	5S6750	51-4	1
	34-24	6	5S6854	49-13	6
	33-4	4	5S6855	49-5	6
	52-8	6	5S6917	49-8	12
	50-3	4	5S7189	F47-27(2)	6
	22-7	2	5S7218	49-39	6
5M4606	49-18	1	5S7221	49-40	6
5M596	34-11	1	5S7264	32-15	1
5M6213	41-8	2	5S7608	46-5	1
	33-22	1	5S7611	46-8	1
	49-27	1	5S7612	46-2	1
	53-19	1	5S7614	46-9	1
	53-15	4	5S7630	46-4	1
5M6214	46-31	1	5S7632	46-3	1
	53-13	1	5S7660	F46-	1
5P1937	F33-23	1	5S7999	47-50(2)	1
5R3041	F53-	1	5S8055	39-6	1
5R3149	F34-10	1	5S8462	53-27	1
5R3151	39-	REF	5S8479	48-2	1
	21-17	1	5S9062	32-17	1
5R3152	F47-3(1)	1	5S9607	47-41(1)	1

PART NUMBER	FIGURE & INDEX NO.	QTY	PART NUMBER	FIGURE & INDEX NO.	QTY
559948	52-5	1	60X6	F12-1	2
5000-1	54-53	1		F11-5	2
5000-2	55-21	3		F10-18	2
5000-8	54-50	1		F10-3	2
50181	54-57	2		F10-8	2
5101-11	1-4(1)	2		F11-1	2
	55-35	4		F10-5	2
5204	54-28	4		F10-21	2
5205	55-7	2		F10-1	2
	55-8	2	60186	18-25	4
5206	55-14	2	60226	14-	REF
	55-16	2		12-30	1
5280-2	55-10	1	60430	8-3	1
5292849	55-12	2	60431	17-16	1
5292850	2-5	2	60432	17-15	1
5402-2	2-4	1	60487	18-31	1
	55-27	1	60488	18-37	1
5403-1	54-20	1	60489	18-33	1
	55-31	1	60491	18-36	1
5406-2	54-24	1	60493	18-39	1
5408	54-12	1	60595	F11-8	1
	54-51	1	60598	F11-8	2
551Y	54-58	2	60627	16-13	1
5570-3	18-16	1	60657	11-8	1
5600-12	18-19	1	60739	20-3	1
	55-36	2	60825	1-2(1)	1
576366-1110	54-29	2	60848	18-21	1
5800	5-13	1	60980	12-35	1
5802	54-46	5	61X2	19-2	1
	55-28	1	61X5	F11-16	2
5908	54-21	1	61X6	F12-1	2
5909	55-22	2		F10-18	2
5910-219	55-20	3		F11-5	2
5949532	55-24	1		F11-1	2
6B830	F18-3	1		F10-5	2
6D238	38-1	2		F10-21	2
6F1069	43-1	1		F10-8	2
6F2097	30-17	6		F10-1	2
6F7027	47-4(1)	1		F10-3	2
6F7062	25-4	3	61039	1-12(1)	2
6H3957	53-12	1	61064	F12-1	2
6J2419	33-18	1		F10-18	1
6K8079	45-13	2		F11-1	1
6L1597	29-5	1		F11-5	1
6L1756	47-25(1)	1		F10-21	1
6L3351	47-33(1)	1		F10-3	1
6L5359	40-2	2		F10-8	1
6L7611	40-9	1		F10-5	1
6N1036	42-13	1		F10-1	1
6OX2	37-27	2	61065	F12-1	2
6OX5	19-3	1		F10-3	2
	F11-16	2		F10-18	2

PART NUMBER	FIGURE & INDEX NO.	QTY	PART NUMBER	FIGURE & INDEX NO.	QTY
61065	F10-8	2	62094	16-8	1
	F10-5	2	62154	16-25	1
	F11-1	2	62155	F16-21	1
	F10-21	2	62156	16-3	1
	F11-5	2	62234	10-16	1
	F10-1	2	62250	17-92	1
	12-1	1	62309	17-90	24
61072	10-21	1	62340	F17-110	1
61081	10-8	1	62358	17-95	1
61082	10-18	1	62399	F17-110	1
61083	10-5	1	62404	F17-8	1
61088	10-3	1	62417	12-13	1
61092	11-5	1	62442	7-10	1
61094	10-1	1	62443	7-13	1
61097	54-1	2	62444	7-12	1
61144	5-13	1	62445	7-8	1
61150	7-7	1	62450	6-8	1
61211	17-58	2		7-	REF
61240	8-43	1	62501	13-7	1
61426	9-	REF	62502	13-6	1
	1-9(1)	2	62503	13-3	1
61430	5-10	1	62508	16-30	1
61446	1-17(1)	1	62554	20-12	2
61538	1-16(1)	1	62574	17-81	1
61541	5-6	1	62714	9-33	1
61546	8-22	2	62716	9-25	1
61569	8-14	2	62717	9-17	1
61606	18-34	1	62718	9-22	1
61619	56-18	1	62719	9-30	1
616200	F56-18	1		9-26	1
616201	18-35	1	62720	9-32	1
61624	17-12	1	62721	9-31	1
61642	17-45	1	62722	9-18	4
61707	8-26	3	62723	9-1	1
61728	17-23	1	62724	9-7	1
61757	17-27	1	62725	9-13	4
61759	17-30	1	62726	9-27	1
61761	17-33	1	62805	4-1	1
61786	16-24	1	62806	8-32	1
61840	12-33	12	62807	8-31	1
61876	18-16	1	62808	1-26(1)	1
61901	17-36	1		F8-26	1
61953	16-26	1	62809	1-27(2)	1
61959	16-29	1	62810	6-2	1
61972	8-12	1	62811	6-1	1
62008	18-19	1	62812	3-	REF
62063	16-21	1		1-22(1)	2
62070	F16-17	1	62814	3-8	2
62071	57-26	1	62816	1-24(2)	1
62075	20-4	2	62834	1-3(2)	1
	11-1	1	62835	1-1(2)	1
62084	18-12	1	62836	1-2(2)	1
62085					

PART NUMBER	FIGURE & INDEX NO.	QTY	PART NUMBER	FIGURE & INDEX NO.	QTY
62837	1-22(2)	1	64736	4-4	1
62838	1-23(2)	1	64916	12-10	1
62840	19-13	REF	64945	1-(1)	1
62841	18-29	1	64947	1-34(1)	1
62842	18-28	1		18-	REF
62843	1-8(2)	2	64948	20-9	1
62845	18-42	1	64949	F18-15	1
62848	16-32	1	64985	18-23	1
62849	16-28	1	64986	1-13(2)	1
62877	F16-25	1	64997	20-1	REF
62896	5-14	1		F18-	1
62953	17-91	1	6504	54-13	1
63044	57-1	2	65095	32-3	1
63062	1-40(1)	4	65102	35-5	2
6309	12-40	1	65126	8-11	1
	55-45	1	65128	1-39(1)	1
6310	54-38	1	65400	18-6	1
	55-39	1	65434	20-15	1
6319-2	54-32	1	65445	55-1	1
63329	55-23	2	65448	1-12(2)	1
63495	F1-25(2)	2	68X2B0	19-4	1
63545	20-6	1	68X6B0	10-20	1
	1-21(1)	1		10-7	1
63546	27-5	REF		12-2	1
	1-10(1)	1	69X5A80	11-17	1
63547	27-1	REF	69X5B0	18-8	1
63548	16-7	1	69X6B0	10-9	1
63549	16-16	1		11-3	1
63550	16-9	1		10-19	1
	1-20(1)	1		11-6	2
63628	27-2	REF		10-22	2
63707	4-7	1		10-2	1
63708	1-14(1)	1		10-6	1
63709	1-13(1)	1		10-4	2
63710	1-15(1)	1		12-4	2
	1-37(1)	1	7-44	26-32	1
63739	20-16	REF	7B3235	32-1	4
63740	4-11	1		25-19	1
63742	4-12	1	7B5163	52-4	1
63744	4-9	1	7B6365	42-36	1
63983	4-6	1	7B6368	42-37	1
	4-	REF	7B7840	42-35	1
63997	1-19(1)	1	7B8105	47-75(1)	1
64244	1-1(1)	4	7D5143	22-1	1
64405	F18-	1	7F6429	18-22	1
64406	13-10	1	7F7590	41-23	1
64407	13-8	1	7H1861	37-15	2
	13-	REF	7H3171	45-18	1
64461	12-5	1		43-3	1
64524	18-38	1		47-11(2)	1
64595	5-15	1		53-14	1
	57-33	1	7H3270	29-4	1

PART NUMBER	FIGURE & INDEX NO.	QTY	PART NUMBER	FIGURE & INDEX NO.	QTY
7H9678	22-11	1	7S9404	F51-2	1
7H9680	22-18	1	7S9847	46-11	1
7L247	45-	REF	7S9891	F30-22	1
7L261	21-22	1	70C44618B	25-3	1
	42-	REF	70D44422C02	25-22	1
	21-20	1		26-	REF
7L396	46-32	1	70X6B0	18-4	1
7L399	42-31	1	7205X24	5-2	2
7L436	23-8	1		6-4	6
7L442	42-30	1	8B1261	45-1	1
7L456	47-109(1)	1	8B1312	53-20	2
7L457	F47-102(1)	1	8B6349	53-26	2
7L5263	47-36(1)	1	8F1326	47-48(1)	2
7L543	F45-2	1	8F1559	F47-14(1)	2
7L552	47-51(2)	REF	8F6058	45-22	1
	47-18(1)	1		45-10	1
7L6613	48-1	1	8F8998	36-5	1
7L7345	42-28	1	8H2778	22-14	1
7L7364	42-23	1	8H2807	22-16	1
7L7368	42-12	1	8H2810	22-9	1
7L7451	43-5	1	8H4881	F22-8	1
7L7559	36-10	1	8H9181	47-89(1)	1
7L8777	47-72(1)	1	8H9204	47-16(2)	6
7M4046	53-17	4	8H9208	47-34(2)	1
7M5940	47-32(2)	1		47-35(2)	1
7M7193	47-80(1)	2	8H9220	46-35	1
7M7219	47-81(1)	1	8H9364	46-36	1
7M7821	51-11	1	8H9520	33-21	1
7M7826	F51-11	1	8H9718	46-18	1
7S2204	50-4	1	8H9787	46-28	1
7S2374	45-5	1	8H9788	46-30	1
7S3161	49-23	12	8H9789	46-20	1
7S3206	49-53	6		33-11	1
7S3224	53-30	14		32-19	1
7S3916	41-32	1	8H9806	45-6	1
7S3919	41-31	1	8L3873	47-21(1)	1
7S4433	45-15	1		47-14(1)	1
7S4434	F45-20	1	8L4152	47-51(1)	1
7S4435	45-23	1	8L4153	47-54(1)	1
7S4439	45-12	1	8L4154	47-39(1)	1
7S5047	46-21	1	8L4155	47-42(1)	1
7S6719	31-9	9	8L4156	47-59(1)	1
7S6744	38-4	2	8L4158	47-55(1)	1
7S6767	49-46	6	8L4159	47-31(1)	1
7S7144	49-50	12	8L4169	47-58(1)	1
7S8378	51-3	1	8L4174	47-26(1)	1
7S8447	47-74(1)	1	8L4176	F47-49(1)	1
7S8722	30-21	1	8L4308	47-28(1)	2
7S8731	30-18	6	8L4450	46-12	1
7S8809	49-47	6	8L4527	34-7	1
7S9323	22-12	1	8L4529	26-29	1
7S9348	51-9	1	8L5278	35-17	1

PART NUMBER	FIGURE & INDEX NO.	QTY	PART NUMBER	FIGURE & INDEX NO.	QTY
8L5451	25-6	1	8S4003	30-6	1
8L5690	30-	REF	8S4004	30-10	1
	21-8	1	8S4005	30-9	2
8L5691	30-11	1	8S4182	25-14	1
8L5692	30-12	1	8S4317	47-65(1)	1
8L5693	30-13	1	8S4368	45-20	1
8L5694	30-14	1	8S4373	45-19	1
8L5695	30-15	1	8S4375	45-9	1
8L5696	30-16	1	8S493	37-31	1
8L6295	F45-13	1	8S497	37-9	1
8L6296	45-17	1	8S5165	29-16	1
8L8460	35-3	1	8S5166	29-15	1
8L8612	42-18	1	8S5167	29-33	1
8L8883	47-96(1)	1	8S5168	29-21	1
8L9790	47-90(1)	1	8S5169	29-25	1
8M1871	31-7	1	8S5409	41-36	2
8M2295	29-13	4	8S5575	45-16	1
6M2296	29-12	4	8S6410	31-4	3
8M3182	38-5	2	8S6509	37-25	2
8M4432	36-9	1		37-34	2
8M4987	47-9(2)	1	8S6832	F29-17	1
8M4988	41-42	2	8S7713	18-18	1
	38-13	2	8S7716	31-1	1
8M5248	47-7(2)	1	8S7717	31-3	1
8M5253	47-10(2)	1	8S7718	31-2	1
8M5260	47-8(2)	1	8S7762	33-16	1
8M5599	37-12	1	8S780	40-3	1
8M6487	51-2	1	8S8042	29-29	1
8M7145	31-6	12	8S8043	29-23	1
8M8403	47-108(1)	1	8S8096	29-37	1
8M8726	47-82(1)	1	8S8158	47-10(1)	1
8M8739	47-86(1)	1	8S8160	47-9(1)	1
8M8993	47-88(1)	1	8S835	53-24	1
8M8997	47-73(1)	1	8S876	53-1	1
8M904	37-6	1	8S877	53-3	1
8M9062	47-63(1)	1	8S8821	33-20	1
8M9307	53-11	1	8S8874	37-5	2
8S1326	36-6	1	8S9191	33-3	2
8S134	47-106(1)	1	800068	24-49	1
8S1389	44-6	4	801077	24-23	1
8S1491	50-6	1	8011-4	12-31	1
8S1498	49-11	1	8214-7	55-49	1
8S1499	F49-8	1		56-	REF
8S1605	48-8	1	8214-8	F55-49	1
8S1965	36-12	1		F56-	REF
8S2389	30-20	1	827-228-F3	F18-2	1
8S248	40-5	1	8600A2-1-4	10-10	1
8S3193	40-8	1	8801-K13	18-2	1
8S3970	49-52	6	899803	18-3	1
8S3998	30-1	1	9B1363	47-21(2)	6
8S3999	30-5	1	9F2247	52-16	6
8S4000	30-4	2	9F4446	32-11	1

PART NUMBER	FIGURE & INDEX NO.	QTY	PART NUMBER	FIGURE & INDEX NO.	QTY
9F6641	45-14	6	9S211	44-4	2
9H1110	49-2	2	9S285	44-21	1
	49-15	10	9S3032	44-12	1
9H1112	49-3	2	9S3033	44-11	1
9H1113	49-1	2	9S3037	52-18	2
9H1284	47-39(2)	1		F52-15	2
9H2256	42-38	REF		F52-15	2
	21-2	1		52-17	2
	23-	REF		F52-15	2
9H4557	42-29	2		F52-15	2
9H5729	47-25(2)	6	9S3038	52-18	1
9H5746	47-22(2)	6	9S3056	52-18	1
9H5797	47-23(2)	6	9S3111	52-18	1
9H5921	35-10	1		52-11	1
9H6067	41-34	1	9S3817	23-14	1
	41-24	1	9S3818	23-4	1
	36-19	1	9S3819	23-2	1
	29-11	1	9S3820	F23-	1
9L2659	52-1	1	9S4138	44-7	1
9L4651	F29-11	1	9S4160	47-42(2)	1
	27-12	REF	9S4167	43-6	1
	28-10	REF	9S4468	47-98(1)	1
9L5765	F34-7	1	9S4671	47-103(1)	1
9L865	34-6	1	9S4673	F47-99(1)	1
9L875	34-1	1	9S5033	44-2	2
9L901	34-4	12	9S6124	44-14	1
9L902	34-5	2	9S7788	51-5	1
9M1216	47-95(1)	1	9S798	47-104(1)	1
9M1974	38-11	4	9S8012	29-34	1
	38-3	4	9S8722	44-1	1
	48-4	3	9S8732	F44-	1
9M2341	22-13	1	9S9201	49-21	1
9M2904	40-4	2	9S9203	F49-17	1
9M4690	47-92(1)	1	9S9327	29-35	1
9M4704	47-40(1)	1	900729-8	11-11	1
9M5477	53-18	1	9411425	24-35	1
9M6292	47-62(1)	1	9412305	24-6	1
9M6293	47-71(1)	1	9413509	24-15	1
9M6302	47-84(1)	2	9414418	24-7	2
9M6303	47-85(1)	1		24-34	1
9M6527	33-14	1	9415235	24-20	1
9M853	38-6	2		24-45	1
9M8915	29-32	3	9421423	24-54	4
9M8916	29-31	2		24-28	4
9M8917	29-30	1	9421425	24-16	1
9M8919	29-24	2	9421427	24-8	1
9M9788	47-102(1)	1	9427882	F24-28	1
9M9886	49-4	2		F24-54	1
9S1313	46-10	1		F24-43	1
9S1366	35-8	4			



DAVEY COMPRESSOR COMPANY  
600 FRANKLIN AVE.  
KENT, OHIO 44240

CONTRACT NO.: DSA700-73-C-8671

MODEL 1M750PVC, TRAILER MOUNTED,  
DIESEL ENGINE DRIVEN, 750 CFM, 100 PSI,  
ROTARY AIR COMPRESSOR

SERIAL NO.: 7P408-19252 and 7P408-19431 through 7P408-19452

USN REGISTRATION NO.: USN31-05898 through USN31-05916 and  
USN31-05926 through USN31-05929

FSN: 2C 4310-143-5850

OPERATION, SERVICE, AND OVERHAUL INSTRUCTIONS  
WITH ILLUSTRATED PARTS BREAKDOWN

